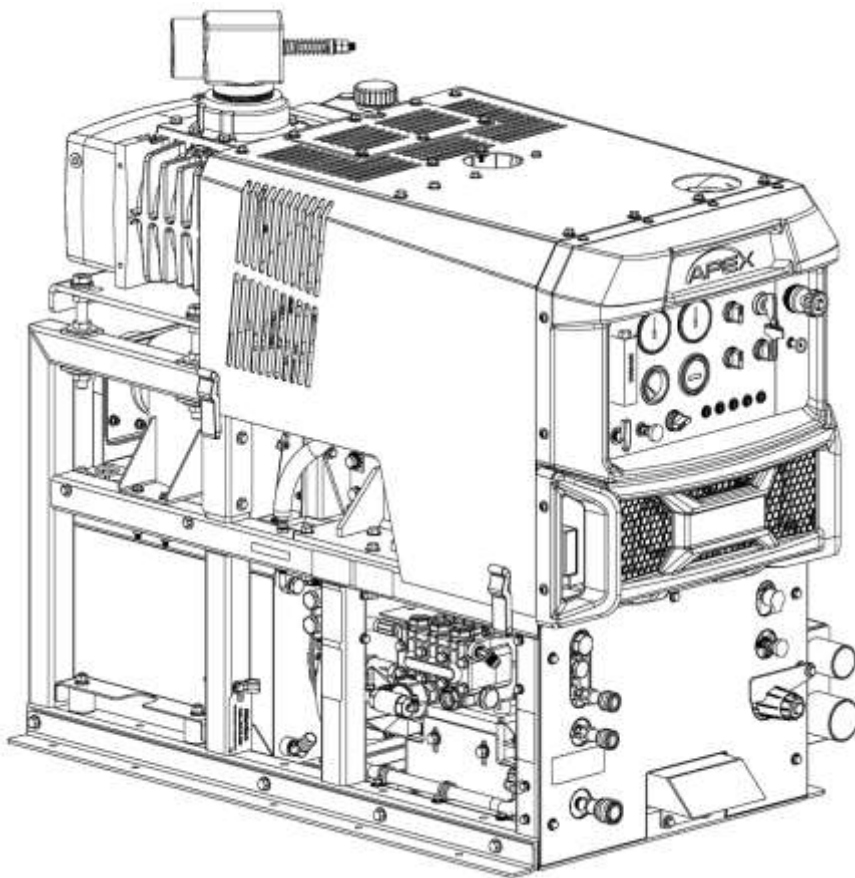




# APEX 570

Operation and Service Manual



Manual P/N 108268 (49-053)  
Revision M, August 2021  
From Serial Number 2061



# UNIT DATA LABEL

Model: \_\_\_\_\_  
Date of Purchase: \_\_\_\_\_  
Serial Number: \_\_\_\_\_  
Dealer: \_\_\_\_\_  
Address: \_\_\_\_\_  
Phone Number: \_\_\_\_\_  
Sales Representative: \_\_\_\_\_

**Congratulations** on the purchase of your Mobile Cleaning Unit. This instruction manual is a guide for operating and servicing your equipment. **Read this manual completely before installing or operating this unit.**

Proper operation and service are necessary to ensure the outstanding performance of this unit. When properly maintained, your truck-mount will have a long and trouble-free life.

The service methods outlined in this manual are detailed in a manner that operation and servicing may be performed properly and safely. Because service levels vary due to the skill of the mechanic, tools and parts availability, ensure that prior to attempting any maintenance or repair, you are familiar with the equipment and have all the proper tools to complete the task. Please call a **Legend Brands** service or customer care representative at 866-445-3030 for help with maintenance, repair, warranty and parts related questions.

**THIS UNIT MUST BE INSTALLED BY THE DEALER THAT YOU PURCHASED IT FROM IN ACCORDANCE WITH THE PRESCRIBED INSTALLATION PROCEDURES.**

Information in this document is subject to change without notice and does not represent a commitment on the part of Legend Brands.

## WARRANTY REGISTRATION

Thank you for purchasing a Legend Brands product. Warranty registration is quick and easy. Your registration will allow us to serve you better over the lifetime of the product.

**To register your product go to:**

**<https://www.legendbrandscleaning.com/Warranty>**

For customer assistance:

866-445-3030

# **SAPPHIRE SCIENTIFIC LIMITED WARRANTY**

## **Sapphire Scientific Model Apex 570**

### **What Does This Warranty Cover?**

This warranty covers the Sapphire Scientific Model Apex 570 and is provided to the original purchaser only.

### **How Long Does This Warranty Last?**

This warranty runs for:

Two (2) years from the date of installation on parts and labor (Excluding normal maintenance items.) Factory installed original belts are covered for 500 hours. Water box, recovery tank and frame are covered for five years. All other components including seals, o-rings and electrical components are covered for the entire two year warranty period.

### **What Sapphire Scientific Will Do:**

If a defect in materials or workmanship occurs within the warranty period, Sapphire Scientific at its election will repair or replace the defective part at no charge.

### **What This Warranty Does Not Cover:**

This warranty does not cover or apply to defects due directly or indirectly to misuse, abuse, disassembly, alteration, corrosive chemicals, improper voltage, improper fuel, fire, flood, negligence, accident, improperly or incorrectly performed maintenance or repair, or failure to perform necessary or recommended maintenance or repair (See your Owner's Manual) or if the use of this product is not in compliance with the instructions and specifications for its use. This warranty does not cover normal maintenance items such as air and oil filters, lubricants and tune up parts. Paint is not covered. Water box, recovery tank and frame are covered for five years. All other components including seals, o-rings and electrical components are covered for the entire two year warranty period. We limit all implied warranties to:

Two (2) years from the installation date on parts and labor. It is strongly recommended that this truck mount be used with, and only with, Sapphire Scientific recommended chemicals and as directed by label instructions on chemical bottles.

OTHER THAN THE WARRANTIES PROVIDED HEREIN, SAPPHIRE SCIENTIFIC MAKES NO EXPRESS OR IMPLIED, ORAL OR WRITTEN WARRANTIES WITH RESPECT TO THIS PRODUCT OR WORKMANSHIP AND ALL WARRANTIES IMPLIED BY LAW INCLUDING ANY WARRANTIES OF MERCHANTABILITY OR FITNESS FOR A PARTICULAR PURPOSE ARE LIMITED TO THE DURATION OF THIS WARRANTY.

**Some states do not allow limitations on how long an implied warranty lasts, so the above limitations may not apply to you. WE SHALL IN NO EVENT BE LIABLE FOR DEATH, INJURIES TO PERSONS OR PROPERTY OR FOR INCIDENTAL, CONTINGENT, SPECIAL OR CONSEQUENTIAL DAMAGES ARISING FROM USE OF OUR PRODUCTS. Some states do not allow the exclusion or limitation of incidental or consequential damages, so the above limitation or exclusion may not apply to you.**

### **How Do I Get Service?**

In order to be eligible for service under this warranty you MUST do the following: (a) fill out the warranty registration card on-line within thirty (30) days of the installation of our product; (b) write or call a service representative at Sapphire Scientific for a return material authorization (RMA); and (c) have the serial number available. Proof of proper maintenance may be required before warranty is granted.

#### **Contact us at:**

Sapphire Scientific

2604 Liberator, Prescott, AZ 86301

Phone: 928-445-3030 / 866-445-3030

If Sapphire Scientific uncovers a defect we will repair or replace the product, at our election. Ground shipping and transportation costs will be covered by the manufacturer. Returning defective parts to the manufacturer, if required, shall be the responsibility of the purchaser. Warranty may be denied if defective parts are not returned within 90 days. If it is determined that there is no defect in the product, or that the defect resulted from causes not within the scope of our warranty, then the product will be repaired or replaced only at your request and at your expense and you must bear all shipping costs.

### **How Does State Law Apply?**

This warranty gives you specific legal rights, and you may also have other rights which vary from state to state.

# TABLE OF CONTENTS

<b>SECTION ONE: GENERAL INFORMATION</b> .....	<b>1</b>
HOW TO USE THIS MANUAL.....	1
SAFETY .....	2
SPECIFICATIONS.....	6
LAYOUT WITH 90 GALLON WASTE TANK (IN INCHES).....	7
LAYOUT WITH 120 GALLON WASTE TANK (IN INCHES) .....	8
INSTALLATION REQUIREMENTS .....	9
FUEL REQUIREMENTS .....	9
ENGINE REQUIREMENTS.....	10
CHEMICAL REQUIREMENTS.....	10
WATER REQUIREMENTS .....	10
RECEIVING YOUR TRUCK-MOUNT UNIT .....	11
<b>SECTION TWO: INSTALLATION</b> .....	<b>13</b>
INSTALLATION OF FUEL LINES.....	15
BATTERY CONNECTION.....	20
FIRE EXTINGUISHER .....	20
CONSOLE TO WASTE TANK CONNECTIONS .....	21
<b>SECTION THREE: USING YOUR CLEANING SYSTEM</b> .....	<b>22</b>
WATER HEATING SYSTEM.....	23
VACUUM SYSTEM .....	25
CHEMICAL PUMPING SYSTEM.....	26
PREPARATION AND OPERATION.....	27
FREEZE PROTECTION / DESCALING .....	37
<b>SECTION FOUR: SERVICE AND MAINTENANCE</b> .....	<b>40</b>
Apex 570 MAINTENANCE CHART .....	40
Apex 570 SERVICE INTERVAL CHART .....	41
MAINTENANCE AND SERVICE ADJUSTMENTS .....	42
TROUBLESHOOTING .....	55
<b>SECTION FIVE: PARTS LISTING AND REFERENCE</b> .....	<b>61</b>
ILLUSTRATED PARTS LISTING.....	62
APEX 570 WIRING DIAGRAM.....	104
APEX 570 HOSE ROUTING AND FLOW DIAGRAM .....	105
OPTIONAL ACCESSORY - AUTOMATIC PUMPOUT.....	107
FUEL HOOK-UP KITS .....	106

# SECTION ONE: GENERAL INFORMATION

## HOW TO USE THIS MANUAL

This manual contains the following sections:

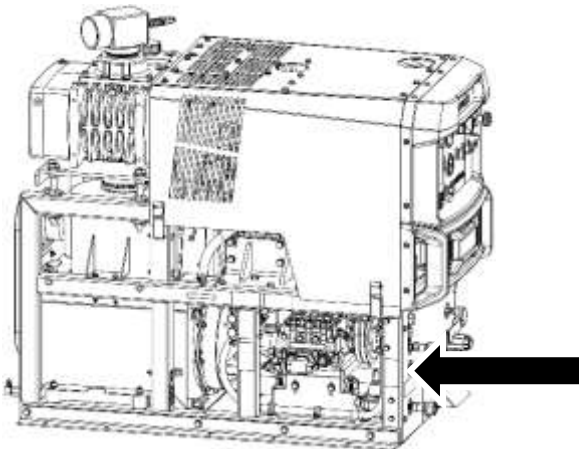
- How to Use This Manual
- Safety
- Installation
- Operation
- Maintenance & Service
- Parts Listing & Diagrams

The **HOW TO USE THIS MANUAL** section will tell you how to find important information for ordering correct repair parts.

Parts may be ordered from authorized dealers. When placing an order for parts, the machine model and machine serial number are important. Refer to the MACHINE DATA box which is filled out during the installation of your machine. The MACHINE DATA box is located on the inside of the front cover of this manual.

Model:	_____
Date of Purchase:	_____
Serial Number:	_____
Dealer:	_____
Address:	_____
Phone Number:	_____
Sales Representative:	_____

The model and serial number of your unit is located on the front left side of the frame as shown here:



The **SAFETY** section contains important information regarding hazardous or unsafe practices for this machine. Levels of hazards are identified that could result in product damage, personal injury, or severe injury resulting in death.

The **INSTALLATION** section contains information on how to properly install the unit in your vehicle.

The **OPERATION** section is to familiarize the operator with the operation and function of the machine.

The **MAINTENANCE** section contains preventive maintenance to keep the machine and its components in good working condition.

The **PARTS LISTING & DIAGRAMS** section contains assembled parts illustrations and corresponding parts list. The parts lists include a number of columns of information:

**NOTE:** *If a service or option kit is installed on your machine, be sure to keep the KIT INSTRUCTIONS which came with the kit. It contains replacement parts numbers needed for ordering future parts.*

# SAFETY

The following warning labels are on your mobile cleaning unit. These labels point out important **WARNINGS** and **CAUTIONS**, which must be followed at **ALL** times. Failure to follow these warnings could result in injury or fatality to yourself and/or others or property damage. Please follow these instructions carefully! **DO NOT remove these decals.**



## WARNING

Sapphire Scientific uses this WARNING symbol throughout the manual to warn of the possibility of physical injury or fatality. Please read all warnings carefully before operating the equipment.

## CAUTION

Sapphire Scientific uses this CAUTION symbol throughout the manual to warn of the possibility of damage to equipment or personal property.

 **WARNING**

1. **Read the operator's manual before starting this unit.**  
Failure to adhere to instructions could result in severe personal injury or could be fatal.
2. **Operate your vehicle and equipment in a well-ventilated area.**  
Exhaust fumes contain carbon monoxide, which is an odorless and deadly poison that can cause severe injury or death. DO NOT run the vehicle in an enclosed area. DO NOT operate this unit where the vehicle exhaust may enter a building doorway, window, vent or other opening.
3. This unit must be operated with the vehicle doors open in order to ensure adequate ventilation to the engine..
4. **Gasoline is extremely flammable and its vapors can explode if ignited.** Store gasoline only in approved containers, in well-ventilated, unoccupied buildings and away from sparks or flames. Never carry gasoline or any flammable materials in the vehicle. Fumes could accumulate inside of the vehicle and ignite, causing an explosion.
5. **DO NOT** operate unit if gasoline is spilled. Do not turn ignition switch until the gasoline has been cleaned up. Never use gasoline for cleaning purposes.
6. **DO NOT** place hands, feet, hair, clothing or any body parts near rotating or moving parts. Rotating machinery can cause severe injury or death.
7. **NEVER** operate this unit without belt and safety guards. High speed moving parts, such as belts and pulleys should be avoided while the unit is running. Severe injury, fatality and/or damage may result.
8. **NEVER** service a unit while it is running. High speed mechanical parts as well as high temperature components and fluids may result in severe injury or fatality.
9. Engine, vacuum pump and heat exchanger components, hoses and fittings will be extremely hot from operation. To prevent severe burns, **DO NOT** touch these areas while the unit is running, or shortly after the unit is shut off.
10. **DO NOT** touch any part of the exhaust system while the system is running or for 20 minutes after the unit is shut off. Severe burns could result.
11. **Water under pressure can cause severe personal injury or fatality.** Shut down unit, allow to cool down, and relieve system of all pressure before removing caps, valves, plugs, fittings, filters or hardware.
12. **NEVER** leave the vehicle engine running while the unit is in operation.



## SECTION ONE: GENERAL INFORMATION

**13. Battery acid contains sulfuric acid.** To prevent acid burns, avoid contact with skin, eyes and clothing. Batteries also produce explosive hydrogen gases while charging. To prevent fire or explosion, charge batteries only in a well ventilated area. Keep sparks, open flames, as well as other sources of ignition away from battery at all times. Remove all jewelry prior to servicing batteries. Keep batteries out of the reach of children.

**Before disconnecting** the negative (-) ground cable, ensure that all switches are in the off position. If on, a spark could occur at the ground connection terminal which could cause an explosion if hydrogen gas or gasoline vapors are present. ALWAYS disconnect the negative (-) terminal first

**14. DO NOT** smoke around the vehicle. Gas fumes could accumulate and ignite. Battery gasses are extremely flammable. This will prevent possible explosions.

**15. NEVER** cut or splice any of the vehicle fuel lines during fuel line installation. This will result in fuel leaks and potentially dangerous conditions. Use only the provided fuel hose for fuel lines. When going through the vehicle floor with fuel lines, always utilize bulkhead adaptors. This will prevent fuel leaks and ensure that hoses are not punctured by vehicle vibration abrasion.

**16.** All high-pressure hoses must be rated at 250° F and 3000 PSI. Severe injuries may result from improper hoses.

**17.** The Occupational and Health Administration (OSHA) recommends the use of hearing protection when a technician is exposed to an average of 85 decibels (this is an average of exposure over an 8 hour period). This equipment can produce 85 decibels at a distance of 10 feet. Please check with your local state agencies to see if OSHA standards apply to your application.

**18.** This unit produces high solution pressure. Improper use could result in injury.

**19.** California Proposition 65 Warning: Engine exhaust from this product contains chemicals known by the State of California to cause cancer, birth defects, or other reproductive harm.

### WARNING

**ENGINE EXHAUST FROM THIS PRODUCT CONTAINS  
CHEMICALS KNOWN BY THE STATE OF CALIFORNIA TO CAUSE  
BIRTH DEFECTS AND/OR OTHER REPRODUCTIVE HARM.  
OPERATE THIS UNIT AND EQUIPMENT ONLY IN A  
WELL-VENTILATED AREA.**

 **CAUTION**

1. **DO NOT** damage the vehicle in any way during the installation. Avoid component or hose contact with moving parts, hot surfaces, brake lines, fuel lines, catalytic converters, exhaust pipes, mufflers, rotating parts or sharp objects.
2. **DO NOT** exceed the vehicle's payload capacity. This will prevent unsafe or hazardous driving conditions. Before installing any components into the vehicle, check with the vehicle manufacturer for the Gross Vehicle Weight Rating (GVWR). GVWR is the maximum allowable combined weight of the vehicle, including all passengers, fuel, fluids, tools and cargo.

**Example:** If the GVWR for a vehicle is 9600 lbs. and the vehicle has a base curb weight of 6400 lbs., this leaves a payload capacity of 3200 lbs. (GVWR - Curb Weight = Payload Capacity).

3. Always keep your vehicle clean and orderly. Tools and accessories must be securely stowed while driving the vehicle.
4. Ensure that you have received proper training and are familiar with the start-up and shut-down procedures prior to operation.
5. **DO NOT** alter or modify your **Model Apex 570** in any way. Use only replacement parts authorized by **Sapphire Scientific**. Modifications or use of unapproved parts could create a hazard and will void your warranty. This includes the use of any open ended hoses.
6. Failure to apply preventative measures towards freezing can result in system failure and loss of warranty on affected parts. Water freezes at 32° F and 0° C.

**READ AND SAVE THESE INSTRUCTIONS**

## SECTION ONE: GENERAL INFORMATION

### SPECIFICATIONS

Engine Speed	3000 RPM (High Speed/No Load) 1500 RPM (Idle/No Load)
Water Pump	1500 RPM (High Speed)
Water Pump Flow Rate	5.5 GPM (Maximum)
Water Pump Pressure	1500 PSI (Maximum)
Vacuum Pump	3000 RPM (High Speed)
Vacuum Relief Valve	13 in. Hg
Waste Tank Capacity at Shut-Off	75 gallons
Waste Tank Gross Capacity	100 gallons
Console Weight	1022 lbs. (dry)
Standard Install Package Weight	1420 lbs. (dry)
Operating Weight	2166 lbs. (includes water weight, not accessories)

### TORQUE VALUES

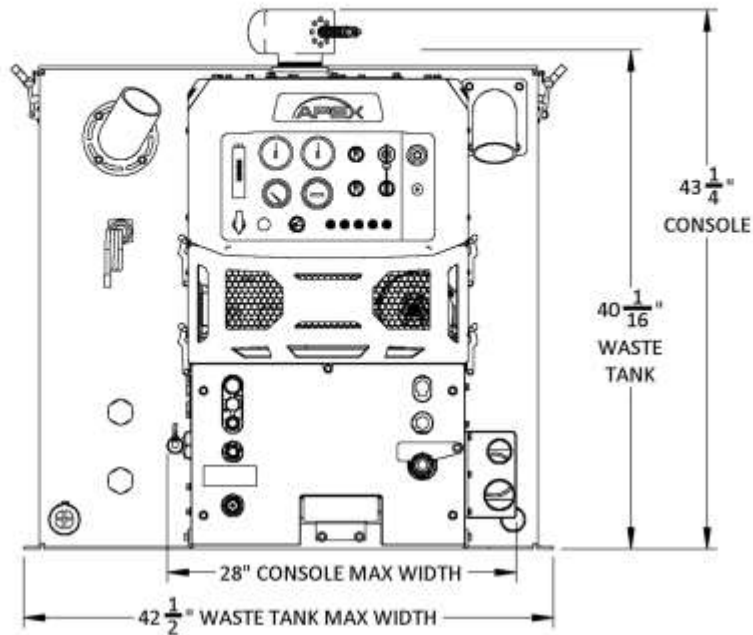
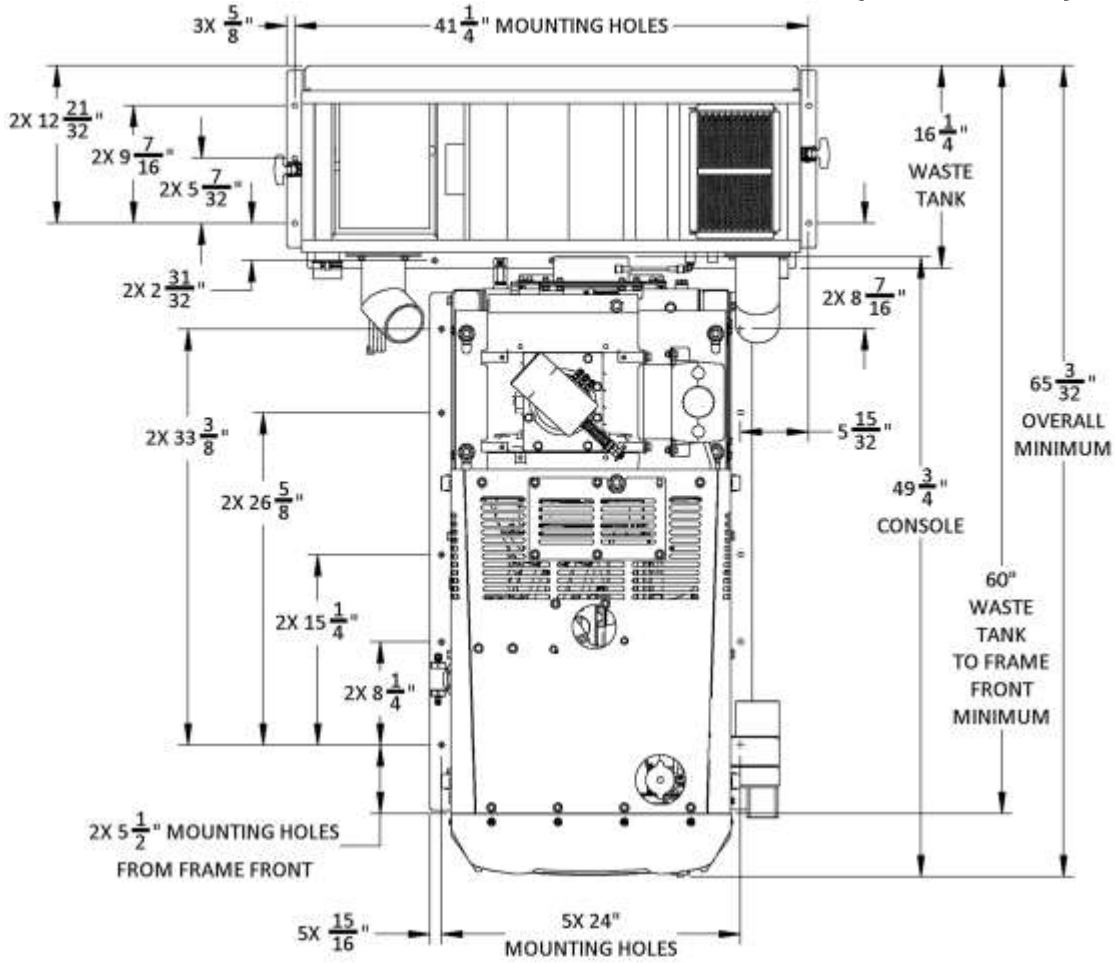
Engine Crankshaft Hub	40 lbf·ft
Engine Fan Mounting Bolt	7 - 8 lbf·ft
Engine Front Lower Pulley Bolt	69 lbf·ft
Vacuum Pump Hub	13 lbf·ft

### JET SIZING

Sapphire Scientific recommends that the total floor tool tip size be #6

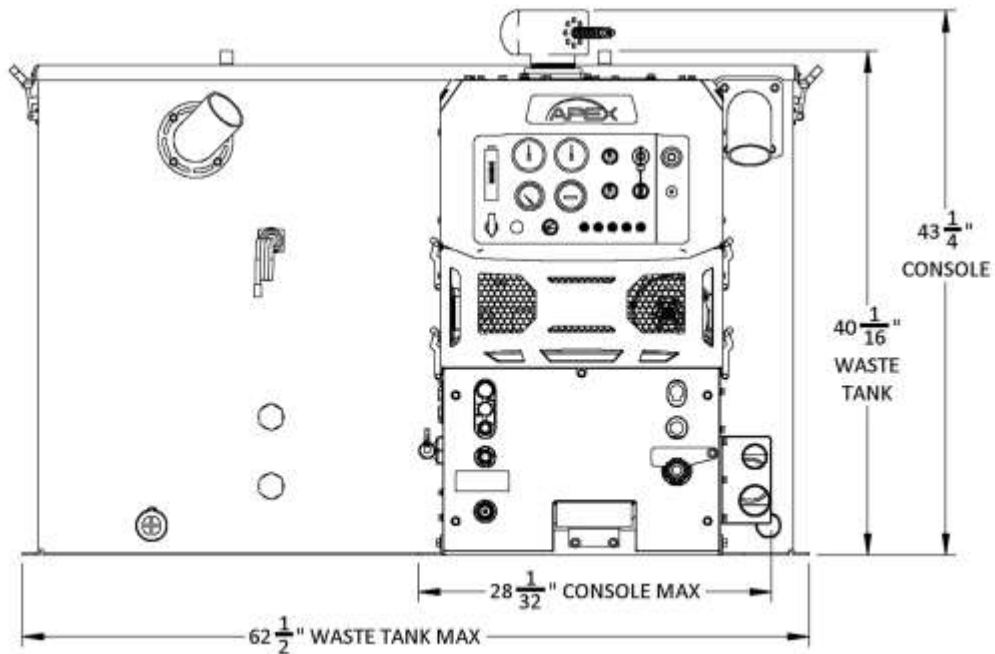
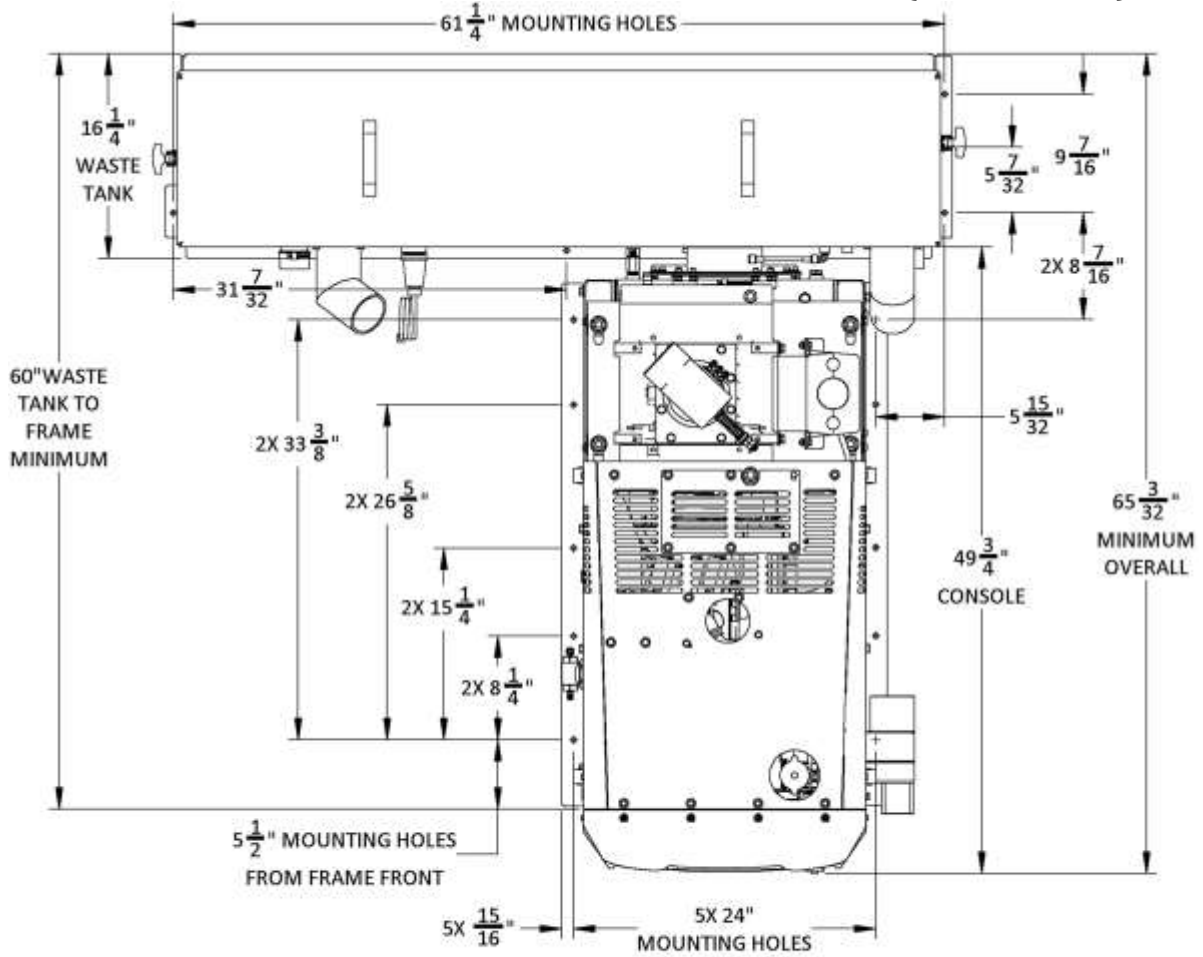
SECTION ONE: GENERAL INFORMATION

LAYOUT WITH 90 GALLON WASTE TANK (IN INCHES)



SECTION ONE: GENERAL INFORMATION

LAYOUT WITH 120 GALLON WASTE TANK (IN INCHES)



## INSTALLATION REQUIREMENTS

Prior to beginning the installation, read the **ENTIRE** "Installation" section of this manual. Since the **MODEL Apex 570** truck mount weighs over 1000 lbs., please adhere to the following recommendations prior to installing the unit.

1. The unit should **NOT** be installed in any motor vehicle rated less than 3/4 ton capacity.

### **CAUTION!**

**DO NOT** exceed the vehicle's payload capacity. This will prevent unsafe or hazardous driving conditions. Before installing any components into the vehicle, check with the vehicle manufacturer for the Gross Vehicle Weight Rating (GVWR). GVWR is the maximum allowable combined weight of the vehicle, including all passengers, fuel, fluids, tools and cargo.

2. If mounting the unit in a trailer, ensure that the trailer is rated for the total weight of the unit and trailer. Electric or hydraulic brakes must be provided, and strict compliance with all State and Federal laws must be maintained.
3. If mounting in a trailer, the MODEL Apex 570 console must be positioned so that it balances properly with respect to the trailer axle. Ten percent (10%) of the unit's total overall weight (w/o accessories or water) should be on the tongue. This unit has an air cooled engine, and adequate ventilation must be provided to prevent overheating.
4. Sapphire Scientific does not recommend using any type of flooring materials that absorb water. This condition will result in rust and corrosion of the vehicle floor.
5. Insulation under rubber mats should be removed prior to installation of the unit.

## FUEL REQUIREMENTS

**Use unleaded fuel ONLY.** Use only fresh, clean unleaded gasoline with a minimum octane rating of 87. **Do Not** use high octane gasoline. Gasoline with up to, not exceeding, 10% ethanol is acceptable.

**NOTE:** Using other gasoline/alcohol blends including E20 and E85 will cause damage to engine components and will void warranty.

## ENGINE REQUIREMENTS

Use high-quality oil of at least API (American Petroleum Institute) service class SG or higher. **Do not use additives.** High quality 30W oil is recommended. It is never recommended to extend oil change intervals past 200 hours

Engine Oil Capacity	3.4 L 3.59 US qts
---------------------	----------------------

Tightening Torque	
Drain Plug	33 – 37 N·m 3 – 4 kgf·m 24 – 27 lbf·ft

**NOTE:** Using lower service class oil or extending oil change intervals longer than recommended can cause engine damage.

## CHEMICAL REQUIREMENTS

The **SAPPHIRE SCIENTIFIC MODEL Apex 570** Truck mount unit's unique last step chemical injection system can be used with a wide variety of water diluted chemical compounds, either acidic or alkaline, depending on the work to be performed. We recommend using only **SAPPHIRE SCIENTIFIC** brand chemistry.

## WATER REQUIREMENTS

Because hard water deposits will damage the plumbing and heat exchange systems on this unit, Sapphire Scientific recommends that a high quality water softener be used in areas where the water hardness exceeds 3½ grains. If a water softener is used, it must have a flow capacity of at least five (5) GPM or greater, without any hose constrictions.

The use of a water softening system will reduce maintenance and reduce down time caused by hard water scaling. It will also enhance the performance of cleaning chemicals, which will result in greater efficiency in lower concentrations.

See the chapter in Section 3 of this manual for instructions on descaling your system.

## **RECEIVING YOUR TRUCK-MOUNT UNIT**

### **DEALER RESPONSIBILITIES**

The sapphire scientific authorized dealer that you purchased this unit from is responsible for:

1. Correctly installing and properly securing equipment with proper hardware and underside mounting plates.
2. Checking the components and oil levels prior to starting the unit.
3. Checking that all components are operating at the factory specification.
4. Checking all hoses and accessories for correct operation.
5. Checking all tools/wands for correct operation.
6. Training you in the operation, maintenance and safety precautions of your unit.

It is the purchaser's responsibility to become familiar with the entire Owner's Manual, most importantly all Warnings, Cautions and Notices.

### **ACCEPTANCE OF SHIPMENT**

Your model Apex 570 truck-mount was thoroughly tested, checked and inspected in its entirety prior to leaving our manufacturing facility. When receiving your unit, please make the following acceptance check:

1. The unit should not show any signs of damage. If there is damage, notify the deliverer immediately.
2. Carefully check your equipment. The model Apex 570 should arrive with the following items as well as any additional optional accessories you may have ordered:

### **EQUIPMENT LISTING**

- Legend Brands Apex 570 console
- Recovery tank with shut-off switch
- Recovery tank vacuum hoses
- Operation and Service Manual
- Installation mounting plates and hardware
- Hose clamps for vacuum, water and fuel hoses
- Two recovery tank mesh filters and stainless steel strainer basket
- 100 ft. of 1/4-inch high pressure solution hose with shutoff valve and quick connects
- 50 ft. of 1/4-inch high pressure solution hose with quick connects
- 150 ft. of 2-inch vacuum hose
- 50 ft. water supply hose with quick connect



## SECTION ONE: GENERAL INFORMATION

### **OPTIONAL EQUIPMENT**

- 50 ft. 2-inch vacuum hose  
Part No. 106318
- 50 ft. 2-1/2-inch vacuum hose  
Part No. 117418
- 2-inch vacuum hose coupler  
Part No. 105289
- 50 ft. high-pressure solution hose with  
qd fittings (no valve)  
Part No. 117482
- 100 ft. high-pressure solution hose w/valve  
and qd fittings  
Part No. 117480
- 50 ft. water hose w/qd fitting  
Part No. 106322
- Automatic waste pump kit  
Part No. 124982
- Demand pump system  
Part No. 107273

### **FUEL HOOK-UP KITS BY VEHICLE**

- Chevy 1997 to 2002 FI 108705
- Chevy 2003 FI 117844
- Chevy 2004+ Hook-Up Kit 107439
- Chevy Box Truck 2004+ 117802
- Dodge 1997 to 2002 FI 107280
- Ford FI 108706
- Ford 2004 – 2010 108850
- Ford 2011+ 108605
- Ford Box Truck 2004+ 107445
- Ford Transit Connect 107279
- Nissan NV 107363
- Dodge ProMaster 108708

## SECTION TWO: INSTALLATION

### **WARNING!!!**

This unit must be bolted to the floor of the vehicle by an authorized SAPPHIRE SCIENTIFIC DISTRIBUTOR.

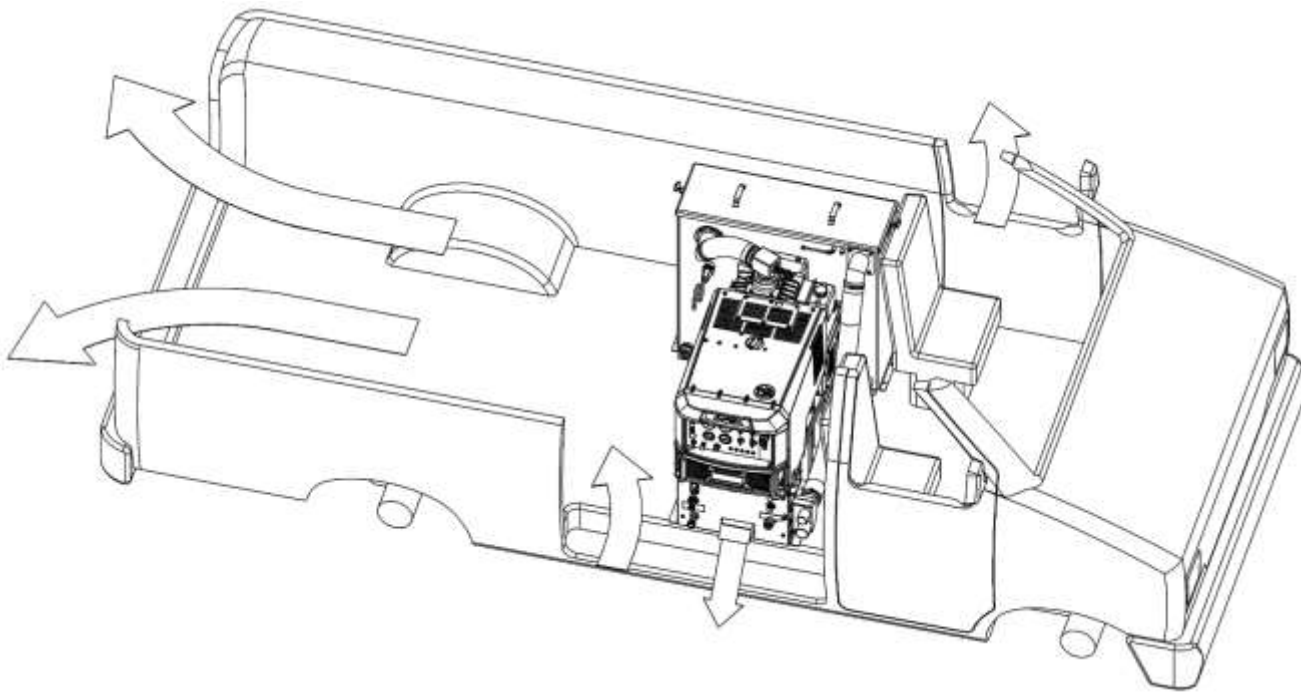
### **LIFTING THE UNIT INTO THE VEHICLE**

Because the console weighs over 1000 lbs., a forklift is necessary to place the unit into the vehicle. Place the forks under the unit. Using two “C” clamps, secure the console to the forks. Move the unit into desired position.

### **POSITIONING THE UNIT INTO THE VEHICLE**

Vehicles vary in size and openings. Owners have different preferences on where in the vehicle they want their units positioned. Sapphire Scientific strongly recommends a side door installation for the model Apex 570. We do NOT recommend a rear door installation.

1. Ensure that enough space is provided to assure adequate engine ventilation as well as room for service and maintenance.



2. Operating weight of the complete installation (which includes water weight) with waste tank and ALL accessories MUST NOT exceed the vehicle's axle weight limit. Please refer to SPECIFICATIONS in Section One for standard unit and waste tank operating weight.

## **FASTENING DOWN THE UNIT AND WASTE TANK**

### **CAUTION**

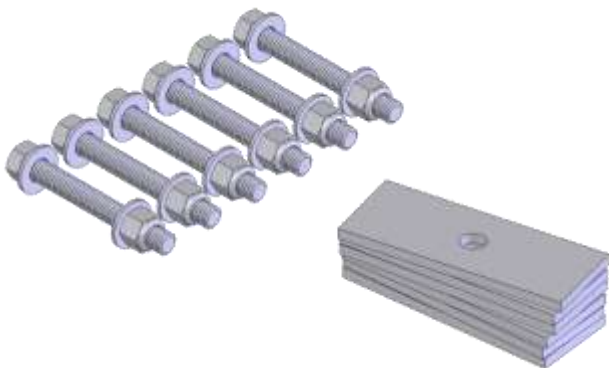
Prior to drilling any holes in the vehicle floor, ensure that while drilling, you will not damage the fuel tank, fuel lines, or any other vital components which could affect the safety or operation of the vehicle.

A. The console mounting rails and waste tank mounting holes will serve as a template. Drill eight (8) to ten (10)  $1\frac{3}{32}$  in. diameter holes for the console and six (6) to eight (8)  $1\frac{3}{32}$  in. diameter holes for the waste tank.


B. Using the provided mounting hardware kit:

Insert grade 5, 3/8-16 x 4 in. hex head cap screws with flat washers through the console and waste tank mounting holes. The two 5/16-18 x 6 in. hex head cap screws are provided if the unit is being installed into a Ford Transit. See your Transit installation guide for more information.


Install the provided mounting plates underneath the vehicle floor. Use the larger plates where space is available.



Screw the provided 3/8-16 hex head lock nuts on to the mounting bolts and tighten until the console and waste tank are firmly attached to the vehicle floor.

 **WARNING!** Do not alter or modify your **570SS** in any way. Use only replacement parts authorized by **SAPPHIRE SCIENTIFIC**, Inc. Modifications or use of unapproved parts could create a hazard and will void your warranty. Contact your authorized Sapphire dealer for assistance.

## INSTALLATION OF FUEL LINES

 **WARNING!** The Vehicle fuel lines should **NOT** be spliced under **ANY** circumstances. Severe injury or fatality could result.

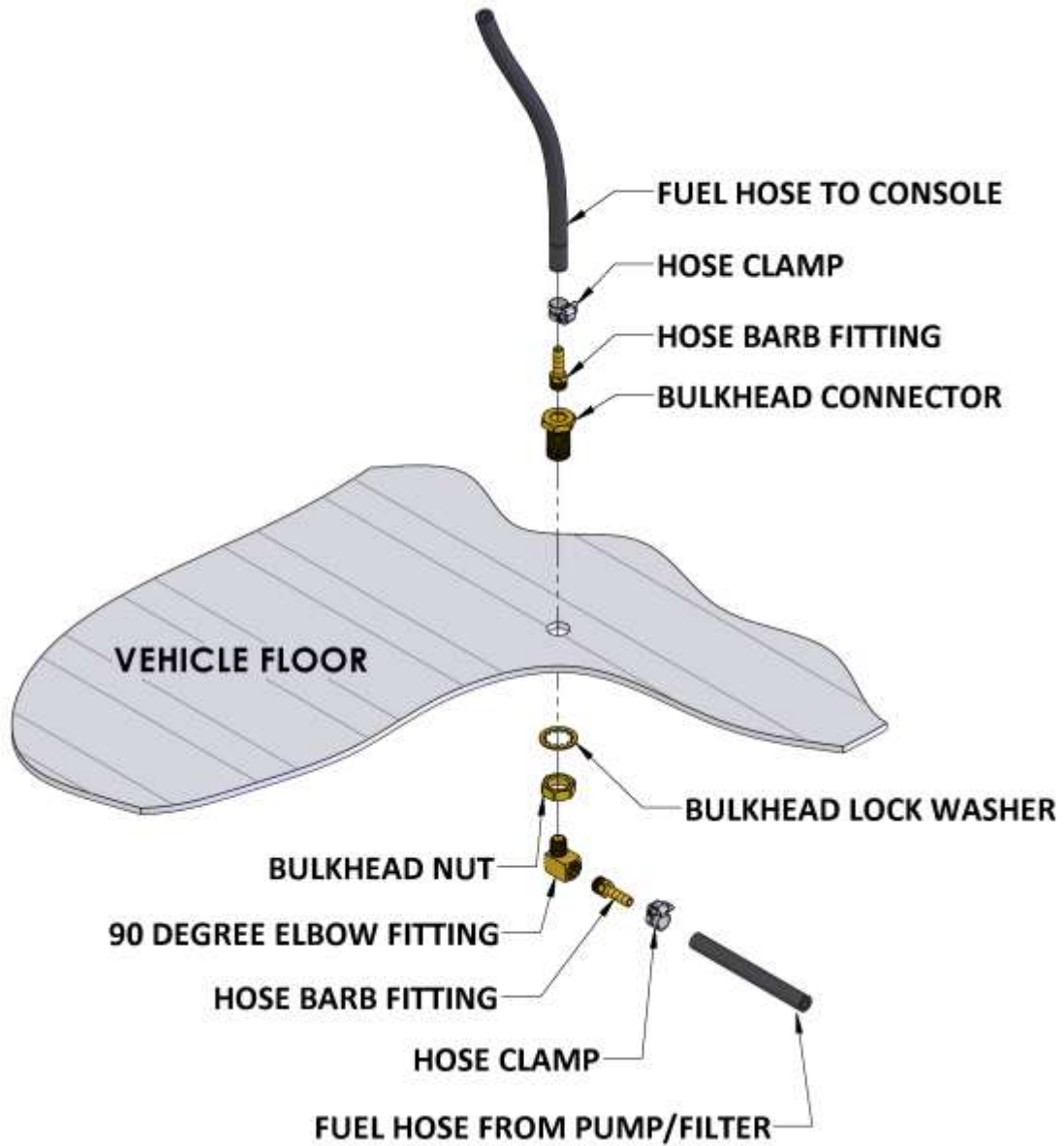
- When routing fuel lines, DO NOT configure the hoses in any location where the hoses, or vehicle could be damaged.
- All fuel lines must meet CARB TIER III and EPA PHASE 3 low permeability requirements.
- Avoid contact with moving parts, areas of high temperature, brake lines, fuel lines, catalytic converters, exhaust pipes, mufflers or sharp objects.
- Fuel pump must be mounted in a vertical position as near as possible to the fuel supply, and not located near any heat sources.
- Excess heat from exhaust or other heat sources may cause the fuel pump to work improperly.

### FUEL LINE BULKHEAD INSTALLATION

1. Inside the vehicle, select an appropriate location on the vehicle floor away from operator or maintenance traffic and away from contact with any accessories or tools while in use or transit. Make sure your hole is within adequate reach of the supplied hose in the finished assembly.
2. Drill a 3/4 inch hole through the vehicle floor at the location chosen for the bulkhead connector.
3. Install the bulkhead connector by inserting the fitting and tightening the nut and lock washer on the opposite side of the vehicle floor.
4. Inside the vehicle, attach the hose barb fitting and connect the fuel line from the console.
5. Drill a 1/2 inch hole nearby the bulkhead fitting for the fuel pump electrical extension harness to pass through.

**SEE DIAGRAM ON NEXT PAGE**

SECTION TWO: INSTALLATION  
**FUEL LINE BULKHEAD INSTALLATION DIAGRAM**



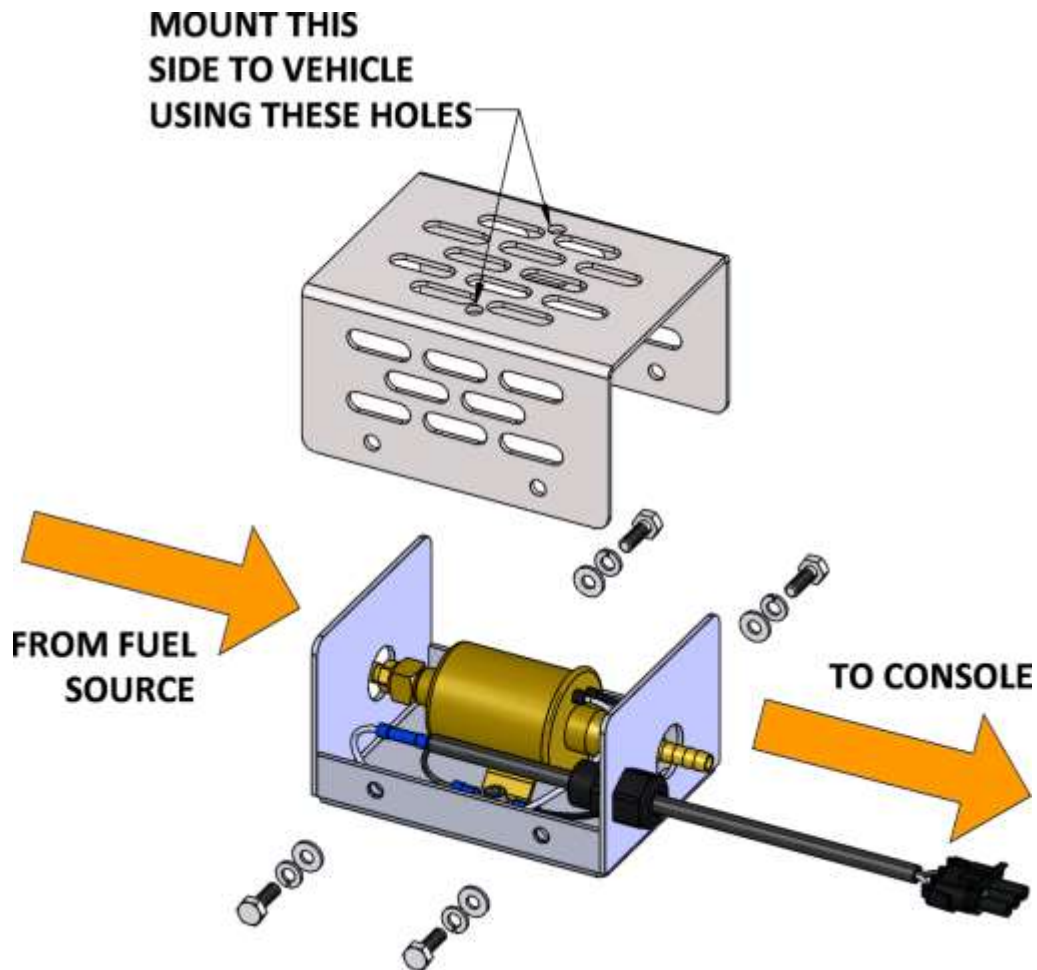
## **FUEL PUMP ASSEMBLY INSTALLATION**

Locate an appropriate location for the fuel pump assembly housing to mount underneath the vehicle that will not cause damage to the vehicle or compromise the fuel line routing or components.

Remove the housing lid from the fuel pump assembly.

Use the supplied Tek screws to install the lid of the fuel pump housing to the vehicle.

**NOTE: Install the fuel pump assembly close to the fuel source.**



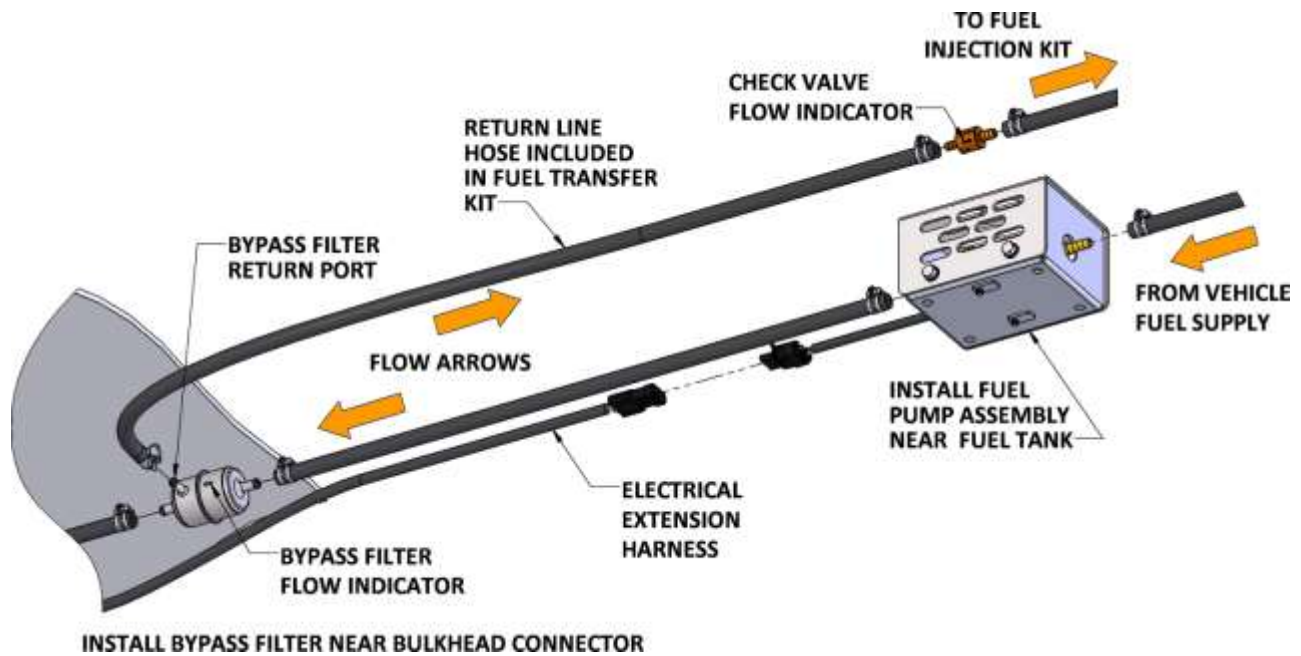
## SECTION TWO: INSTALLATION

### **FUEL SUPPLY & RETURN LINE INSTALLATION**

Refer to the transfer flow kit instructions found with the appropriate kit for your vehicle.

1. Connect the fuel line from the transfer flow kit to the inlet side of the fuel pump.
2. Connect the outlet side of the fuel pump to the inlet side of the fuel bypass filter.
3. Connect the return line from the bypass filter return port back to the vehicle fuel supply.
4. Connect the check valve inline (if not already installed).

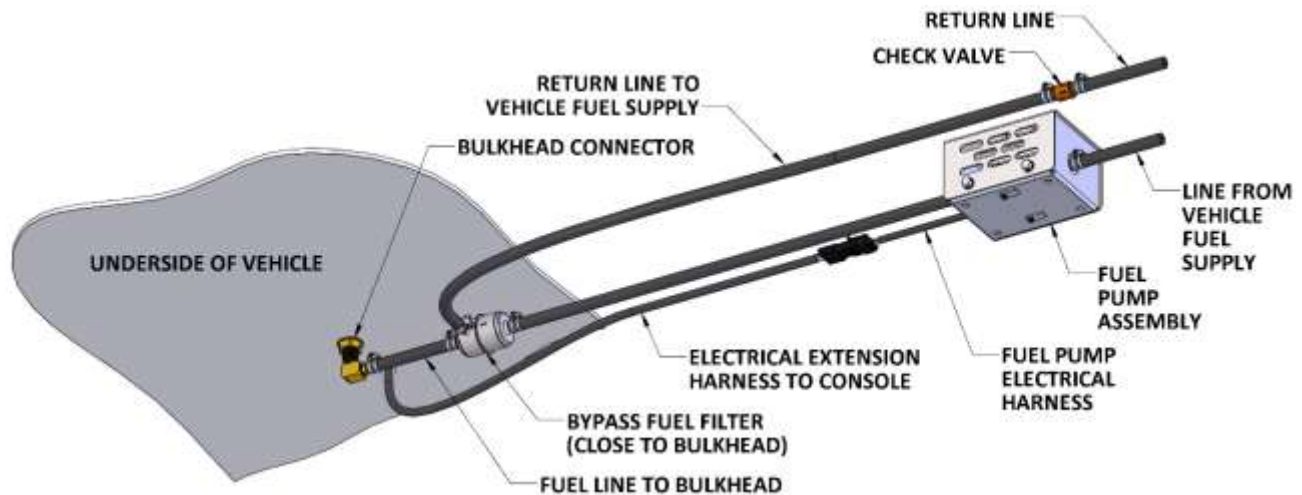
**NOTE: Install the bypass filter away from the fuel source. If the bypass filter is installed too close to the fuel source, the return line will not have enough length to cool the fuel.**



**NOTE: Sapphire Scientific uses a .0625" size bypass orifice fuel filter to achieve the correct fuel pressure. Using a fuel filter with a larger or smaller bypass orifice will not deliver correct pressure and can cause damage to the engine. To always ensure you have the right filter, we recommend only using the Napa Gold 3054 filter which can also be purchased directly from us with Sapphire Scientific part number 36-212.**

## SECTION TWO: INSTALLATION

5. Attach the 90 degree elbow and hose barb fittings to the bulkhead connector underneath the vehicle.
6. Connect a segment of hose between the outlet side of the fuel bypass filter to the hose barb fitting.
7. Ensure that all hose clamps are properly tightened.
8. Connect the electrical extension harness to the fuel pump harness, running the other end up through a hole in the floor of the vehicle, connecting to the console harness.



## TRAILER FUEL TANK AND FUEL LINE INSTALLATION

The following are recommendations for trailer installations:

- Strict compliance with all federal and state laws must be maintained. **Tanks must meet CARB TIER III and EPA PHASE3 permeation and venting emissions requirements.**
- Use only fuel tanks that are manufactured specifically for gasoline, have proper vented filling caps, and outlet connections that are the same size as the inlet and return connections on the unit.
- **DO NOT** install fuel tanks inside any type of enclosed trailer or vehicle.
- **NEVER** carry gasoline or flammable materials in an enclosed trailer or vehicle.
- **NEVER** store any type of flammable material in an enclosed trailer or vehicle.
- Always mount fuel tanks where they will be protected from any vehicle collision.
- When installing fuel lines from the fuel tank to the unit, use the proper size fuel line.



## BATTERY CONNECTION

### WARNING!

#### **Explosive gases, Dangerous gases!**

Batteries contain sulfuric acid. To prevent acid burns, avoid contact with skin, eyes and clothing. Batteries also produce explosive hydrogen gases while charging. To prevent fire or explosion, charge batteries in a well-ventilated area only. Keep sparks, open flames, as well as any other sources of ignition away from batteries at all times. Remove all jewelry prior to servicing batteries. Keep batteries out of the reach of children.

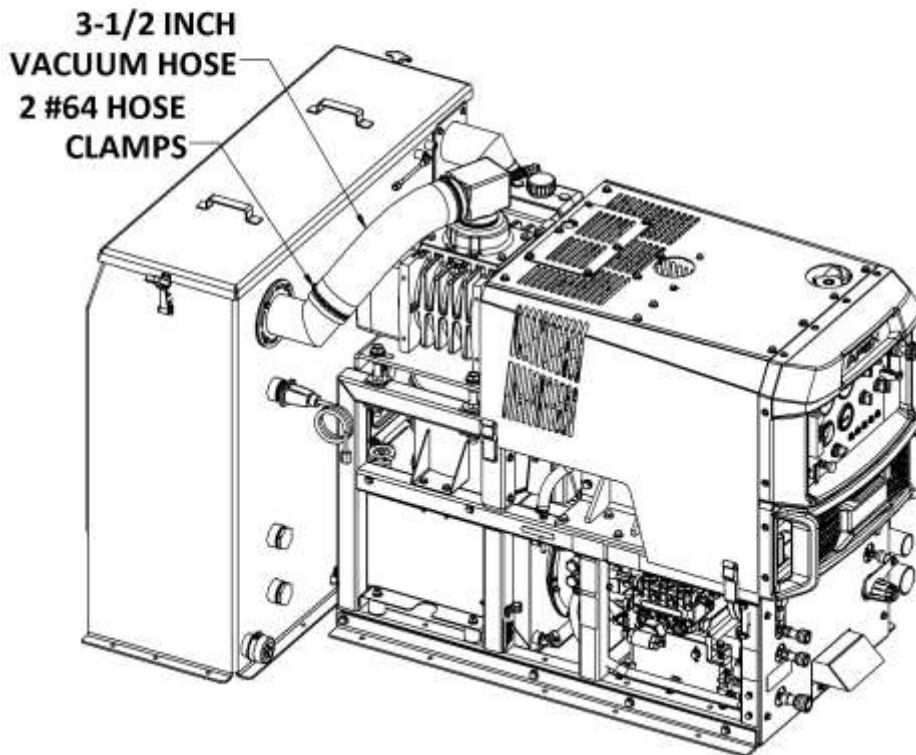
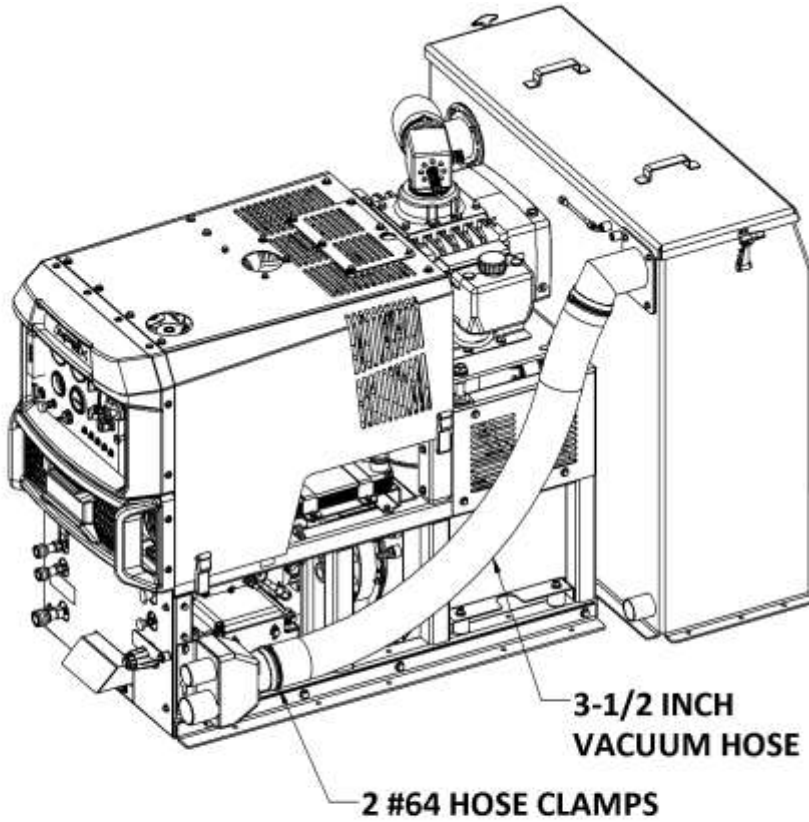
- Before disconnecting the negative (-) ground cable, ensure that all switches are in the OFF position. If ON a spark could occur at the ground connection terminal, which could cause an explosion if hydrogen gas or gasoline vapors are present. ALWAYS disconnect the negative (-) terminal first.
- Attach the red positive (+) battery cable from the starter solenoid on the console to the positive (+) terminal on the battery and tighten down the nut.
- Attach the black negative (-) battery cable from the ground on the console to the negative (-) terminal on the battery and tighten down the nut

**NOTE: If using an automatic pump-out, you must have a group 24 battery installed to maintain proper power.**

## FIRE EXTINGUISHER

SAPPHIRE SCIENTIFIC, and many government agencies, recommend that a fire extinguisher rated for A, B, and C type fires be installed into any commercial vehicle.

# CONSOLE TO WASTE TANK CONNECTIONS



## SECTION THREE: USING YOUR CLEANING SYSTEM

### UNDERSTANDING THE SYSTEMS

**NOTE: Read and understand this section of the manual entirely before proceeding.**

This portion of the manual divides the unit up into systems and describes how each system works. Prior to proceeding into the operations and maintenance sections of this manual it is recommended that you acquire a basic understanding of how the unit functions.

## WATER HEATING SYSTEM

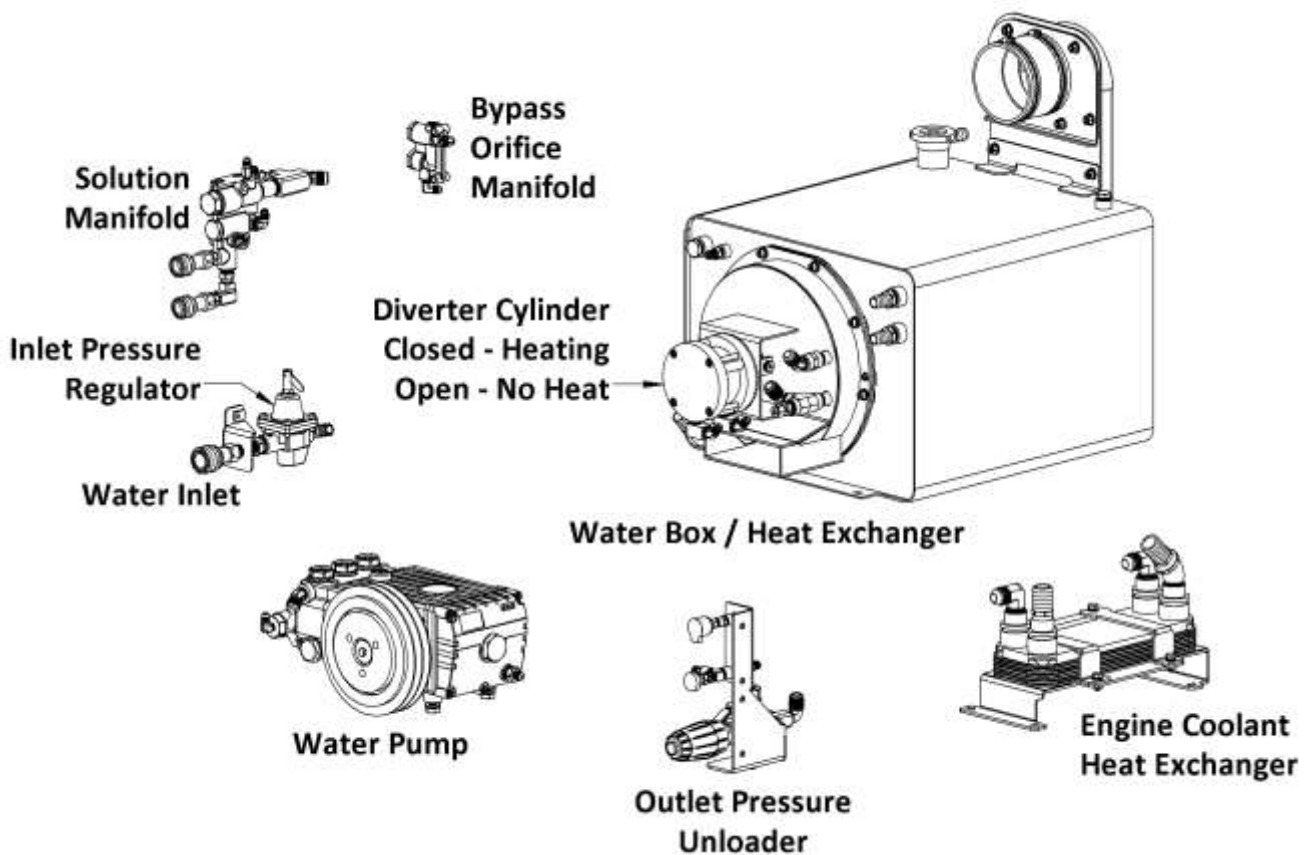
The water reservoir is a pressurized vessel. Cold water enters the console through the water inlet connection located on the lower left corner of the lower front panel. The water then flows through the Inlet Pressure Regulator (where incoming water pressure is reduced to 15 to 18 psi) and into the water box through the heat exchanger. A bypass valve is included behind the inlet pressure regulator when cooler water is desired, bypassing the heat exchanger and delivering water directly into the water box.

The incoming water is pre-heated while cooling the engine through the heat exchanger. It is then sent to the water box where heat is maintained using radiant heat generated by the vacuum pump and engine exhaust.

The water then flows to the water pump where it is pressurized. From there it flows to the heat exchanger where it travels through finned tubing and is further heated by the vacuum blower and engine exhaust.

The hot water then flows through the check valve manifold that contains a strainer and a check valve. At this point, the chemical injection takes place.

The hot solution mixture of water and chemicals then flows through the solution outlet manifold to the cleaning tool. Solution pressure is controlled by the Outlet Pressure Regulator.



**WATER HEATING SYSTEM (CONTINUED)**

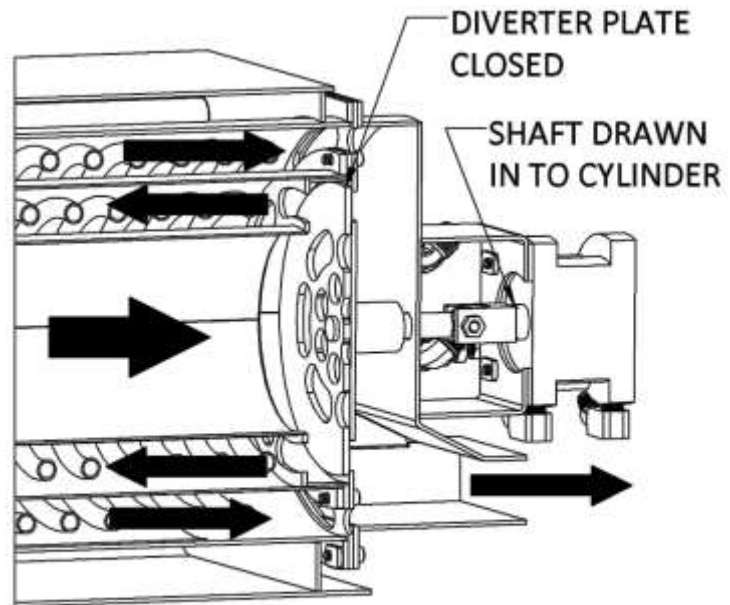
Inside the water box is the main heat exchanger of the water heating system where the water travels through stainless steel finned tubing.

When the diverter is closed, the hot exhaust is diverted across both sets of coils in an "S" pattern. The coils are specially designed with copper fins to quickly transfer the heat to the water travelling through the tubing.

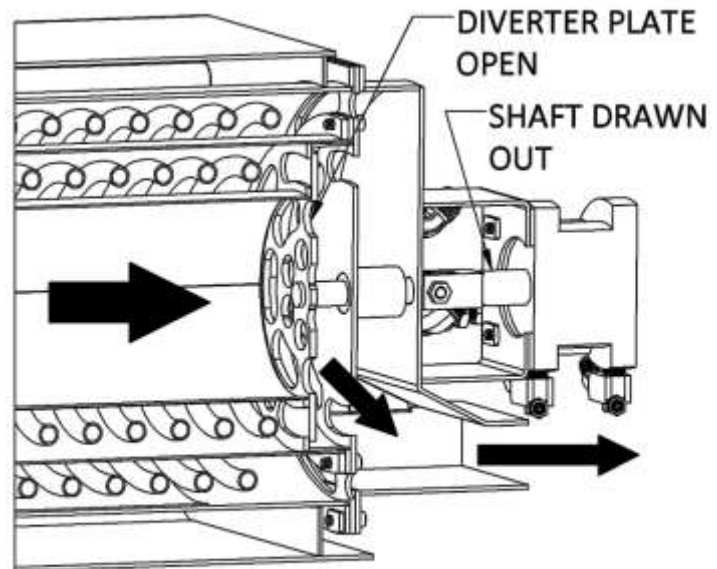
The desired water temperature is selected on the instrument panel. A temperature sensor communicates with the Thermalogic control system, which in turn triggers the diverter cylinder on the front of the water box through a valve when cooling is needed to maintain the desired water temperature.

When the diverter is open, the hot exhaust is diverted to the exterior exhaust port, bypassing the coils and allowing the water to cool.

This cycle of heating and cooling is how the unit maintains a desired water temperature while cleaning.



**DIVERTER CLOSED (HEATING)**  
HOT EXHAUST IS DIRECTED  
OVER BOTH SETS OF COILS



**DIVERTER OPEN (COOLING)**  
HOT EXHAUST BYPASSES THE COILS

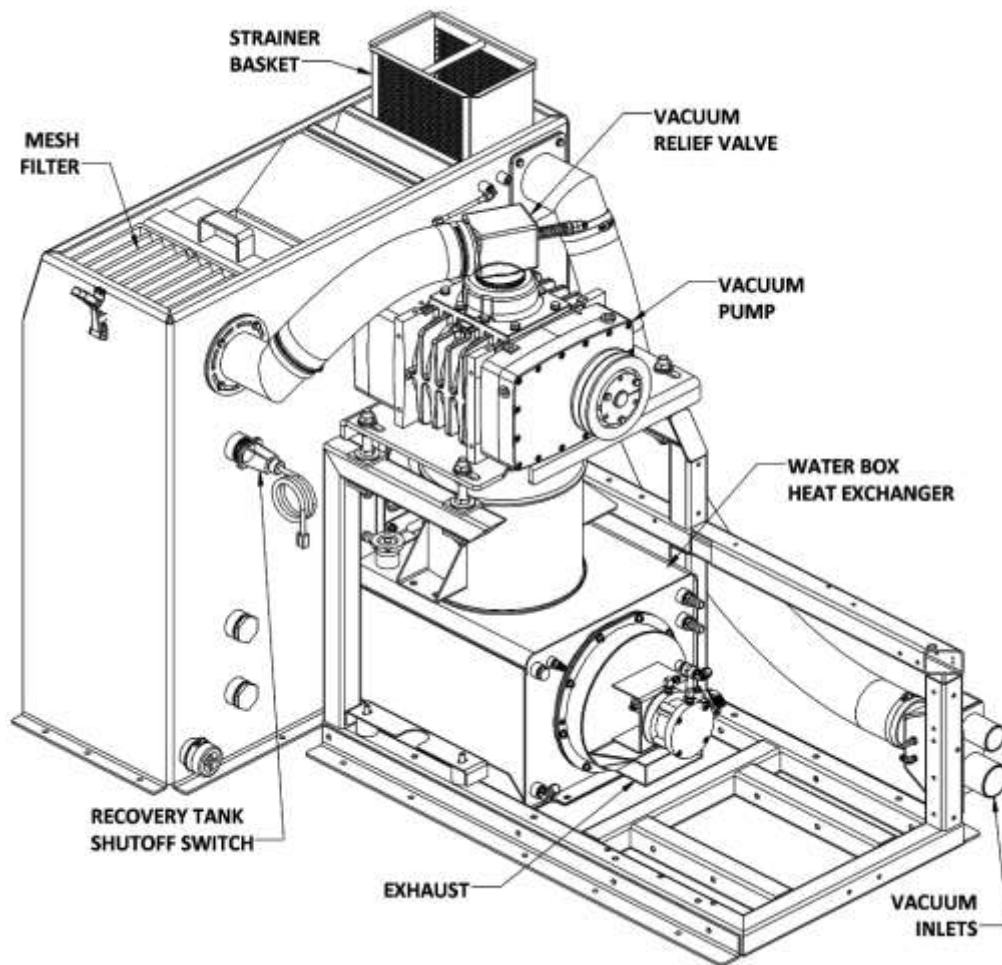
## VACUUM SYSTEM

The engine turning a vacuum pump generates the vacuum. The air is channeled in one side of the vacuum pump, compressed and discharged on the opposite side, creating airflow. This airflow is used to do the work necessary for the extraction process. A vacuum nozzle applied to the carpet surface removes moisture, dirt and spent chemicals. These elements are conveyed back to a recovery tank utilizing hoses and the force of air. Particles of moisture and dirt are separated in the recovery tank using a series of changes in direction and velocity. The air is then filtered and rushes into the vacuum pump.

The vacuum pump also heats incoming air as it is compressed. The hot discharged air is forced down-stream into a silencer for noise abatement. Exiting the silencer, this hot air is directed through the heat exchanger

The vacuum pump speed is factory set to maximize vacuum pressure and provide sustained system life. Do not alter the vacuum speed outside the recommended range shown in the Technical Specifications section.

A level shut off sensor is located near the top of the waste tank and will shut down the unit before the tank is at full capacity. This protects the vacuum pump from water damage. Note: Waste tank level shut off will not shut the unit off due to high levels of foam. The use of a quality de-foamer is recommended.

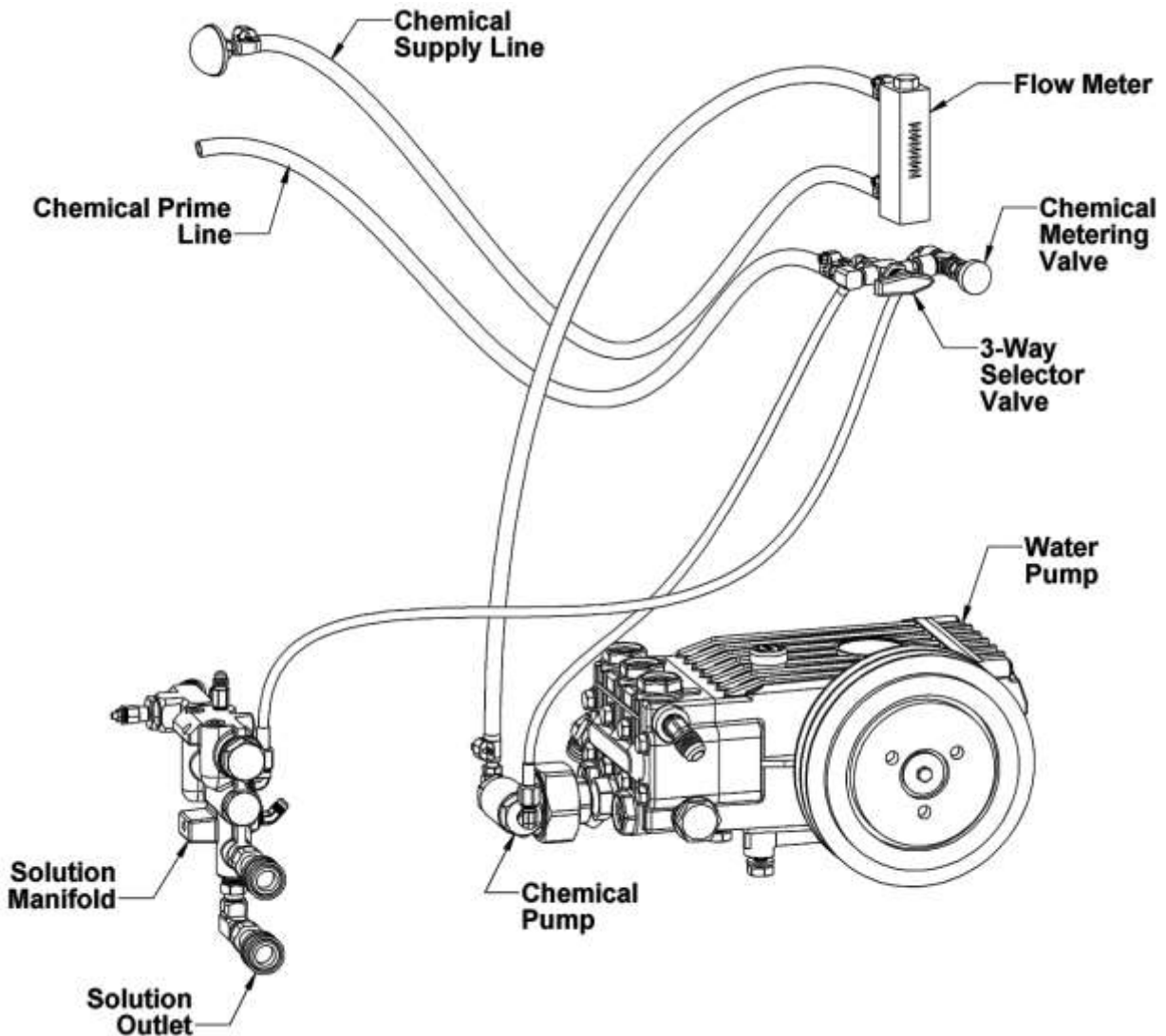


## CHEMICAL PUMPING SYSTEM

The chemicals are drawn from the chemical container through a strainer into the flow meter mounted on the control panel. The flow meter indicates the rate of chemical flow.


The chemicals then flow through the stainless steel chemical pump, the chemical is then injected into a three way selector valve located on the front panel. This valve may be used to turn the chemical flow ON, OFF, or to PRIME the chemical pump.

The chemicals then flow through the chemical metering valve to the solution outlet. This valve controls the rate of flow of chemical into the cleaning solution, which is indicated on the flow meter.



## PREPARATION AND OPERATION

This section of the operator's manual explains how to prepare, start, operate, shut down and maintain your Sapphire Scientific model Apex 570 mobile cleaning unit. The model Apex 570 unit is easy to operate, however only trained operators should proceed.

 **WARNING** Operate this unit and equipment only in a well-ventilated area. Exhaust fumes contain carbon monoxide, which is an odorless and deadly poison that can cause severe injury or death. DO NOT run this unit in an enclosed area. DO NOT operate this unit where the exhaust may enter a building doorway, window, vent or any other opening.

### PREPARATION

#### **ENSURE THERE IS ADEQUATE FUEL**

Check the fuel tank to ensure there is adequate fuel to complete the job and transport the vehicle. This unit consumes approximately 1.5 US gallons of fuel per hour, depending on the speed setting.

#### **REMOVE TOOLS FROM THE VEHICLE**

Remove any tools, accessories or hoses from the vehicle that you will require.

#### **WATER SUPPLY CONNECTION**

**NOTE:** Prior to connecting your water inlet hose to any supply faucet, flush out the faucet until the water is free of any debris. Also, flush out any debris from your water inlet hose.

1. Connect the hose to the water supply faucet and flush out any debris from the faucet and hose.
2. Connect the hose to the water inlet fitting on the front of the unit.
3. Turn the water supply faucet on.

**NOTE:** Never use a waste pump outlet hose as a water inlet hose. Use only clean hoses for water supply.

#### **CHECK YOUR DRAIN VALVES**

Make sure the waste tank and pre-filter box drains are closed.

#### **CONNECT HIGH PRESSURE SOLUTION HOSES**

Before starting the unit, connect the high pressure solution hose(s) to the solution outlet connection(s) at the front of the unit. Connect the cleaning tool(s) to the opposite end of the pressure hose(s).



## SECTION THREE: USING YOUR CLEANING SYSTEM

### CHECK YOUR CHEMICAL LEVELS

Check your chemical container to make sure you have enough chemical mixed to finish the job.

### CHECK FILTERS

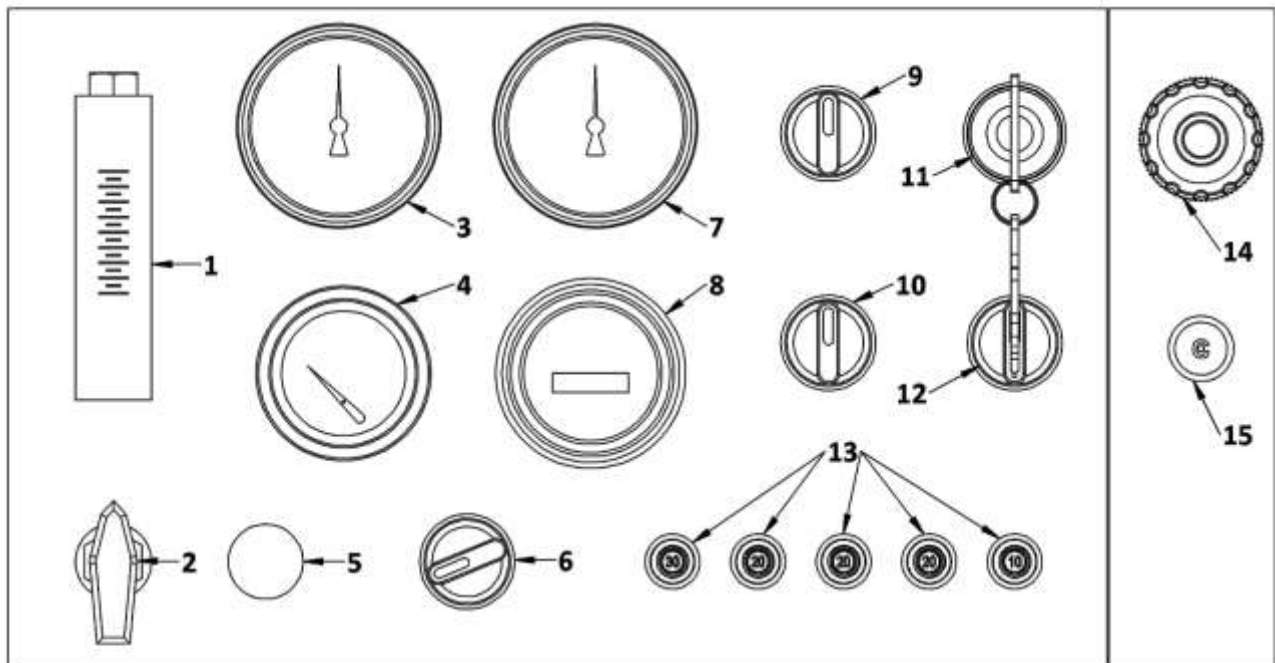
Inspect the vacuum inlet filter and strainer basket in the waste tank. Inspect the strainer basket inside the pre-filter box. See the Shut Down and Daily Maintenance section below for more information.



### CAUTION

NEVER operate the unit with the waste tank air filter removed, damaged or not properly installed.

## INSTRUMENT PANEL CONTROLS AND GAUGES



- 1: CHEMICAL FLOW METER
- 2: CHEMICAL SELECTION VALVE
- 3: WATER PRESSURE GAUGE
- 4: WATER TEMPERATURE GAUGE
- 5: CHEMICAL METERING VALVE

- 6: TEMPERATURE CONTROL
- 7: VACUUM PRESSURE GAUGE
- 8: HOUR METER
- 9: PRESSURE PUMP/ENGINE OVERRIDE
- 10: AUTOMATIC WASTE PUMP CONTROL

- 11: IGNITION SWITCH
- 12: AUXILIARY CONTROL
- 13: CIRCUIT BREAKERS
- 14: THROTTLE CONTROL
- 15: CHOKE CONTROL

#### 1. CHEMICAL FLOW METER

Visual display of chemical flow through the system.

#### 2. CHEMICAL SELECTION VALVE

The chemical selection valve allows you to start, stop or prime the chemical flow.

#### 3. WATER PRESSURE GAUGE

This gauge registers the amount of pressure in the water system.

### SECTION THREE: USING YOUR CLEANING SYSTEM

#### 4. WATER TEMPERATURE GAUGE

This gauge measures the temperature of the water at the solution manifold.

#### 5. CHEMICAL METERING VALVE

The chemical metering valve allows you to control the amount of chemical flow being injected into the cleaning solution.

#### 6. TEMPERATURE CONTROL

The temperature control switch provides multiple pre-set temperature settings of OFF, LOW, MEDIUM and HIGH. The OFF setting allows for continual heat diversion, providing no additional heat to the water through the heat exchanger.

#### 7. VACUUM PRESSURE GAUGE

This gauge indicates, in inches of mercury, how much vacuum the system is producing at any given time.

#### 8. HOUR METER

The hour meter records the operating time of the unit. This information is used to calculate maintenance intervals.

#### 9. PRESSURE PUMP/ENGINE OVERRIDE

The pressure pump switch turns the pressure pump ON or OFF. The OVR setting is used to bypass the oil pressure switch when starting the unit.

#### 10. AUTOMATIC WASTE PUMP CONTROL

The pump out switch is used to turn the pump on or off, if an optional automatic waste pump has been installed.

#### 11. IGNITION SWITCH

The engine ignition switch provides ignition to start the engine when the key is inserted and turned.

#### 12. AUXILIARY CONTROL

The auxiliary switch is used to turn an auxiliary item on or off, if an optional accessory item, such as a motorized hose reel, has been installed.

#### 13. CIRCUIT BREAKERS

Circuit breakers for system components, including an automatic waste pump and accessory item, if installed.

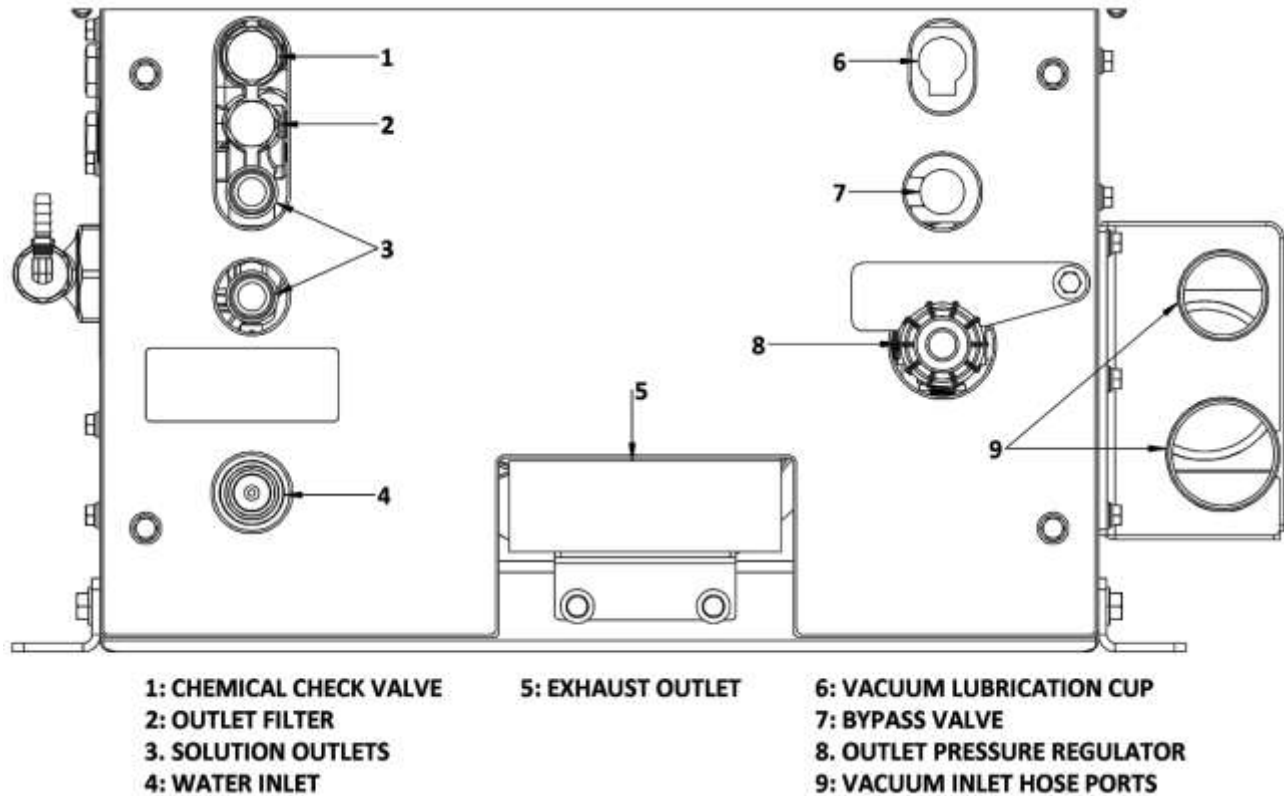
#### 14. THROTTLE CONTROL

The engine throttle control knob. Turn counter-clockwise to open the throttle (faster speed), clockwise to close the throttle (slower speed). For emergency slow-down, depress the center button and push the throttle control in.

#### 15. CHOKE CONTROL

The engine choke control knob. Pull to open the choke for engine ignition.

**NOTE:** For a greater explanation of gauges, see the section “Gauge Readings and Settings” below.

**LOWER FRONT PANEL****1. CHEMICAL CHECK VALVE**

The chemical check valve allows the chemical injection into the water stream to form the cleaning solution. This is accessible on the front panel for maintenance and service.

**2. OUTLET FILTER**

The outlet filter catches debris in the solution stream before it exits the unit for the cleaning tool.

**3. SOLUTION OUTLETS**

The pressure outlet is where you connect your solution hose. The Apex 570 has 2 outlets for 2 separate solution hoses.

**4. WATER INLET**

The water supply inlet is where you connect your fresh water supply hose.

**5. EXHAUST OUTLET**

Engine and blower exhaust from the unit. Exhaust fumes contain carbon monoxide which is an odorless and deadly poison that can cause severe injury or fatality. **DO NOT** run this unit in an enclosed area. **DO NOT** operate this unit where the exhaust may enter any building doorway, window, vent or opening of any type.

**6. VACUUM LUBRICATION CUP**

The vacuum relief valve lubrication cup is used to deliver lubrication to the vacuum pump. This prevents rust from building up inside the pump. See the shut-down and daily maintenance sections for more information.

## SECTION THREE: USING YOUR CLEANING SYSTEM

### 7. BYPASS VALVE

This valve allows the operator to quickly reduce water temperature by bypassing hot water to the waste tank. Turning the valve counterclockwise opens the valve for cooling. Turning clockwise closes the valve.

### 8. OUTLET PRESSURE REGULATOR

The pressure regulator sets the pressure of the solution system. This spring loaded valve can be adjusted up or down. The pressure is increased by turning the valve clockwise, or reduced by turning the valve counterclockwise. This valve must be maintained in accordance with the maintenance table in this manual.

### 9. VACUUM INLET HOSE PORTS

The vacuum inlets are where you connect your vacuum hoses. The Apex 570 has one 2 inch and one 2-1/2 inch ports. Always cap unused ports to maintain proper vacuum levels.

## **STARTING THE UNIT**

1. Set throttle control, pull out engine choke, turn pressure pump switch to OVR and turn ignition key to start.
2. Push in engine choke after engine has started.
3. Set throttle control to desired speed.
4. Turn the water pump switch to the ON position.

**NOTE: If the unit does not build water pressure after 5 seconds, check for adequate water supply. See “Loss of Water Pump Pressure in the Troubleshooting section of this manual.**

## **VACUUM HOSE**

Connect the vacuum hose(s) to the vacuum inlet connection at the front of the unit. Connect the opposite end of the vacuum hose(s) to the cleaning tool. Let the unit run for a few minutes with the vacuum inlets partially blocked off to warm up the cleaning solution.

Sapphire Scientific recommends that the total floor tool size does not exceed #6. Using larger jet sizes on your model Apex 570 unit may reduce cleaning temperatures.

## **PRIMING THE CHEMICAL PUMP**

**NOTE:** Sapphire Scientific recommends that the chemical pump be primed whenever the water pump is on. This eliminates possible pressure fluctuations and water pump pulsations related with running the chemical pump dry

1. Insert the chemical prime tube and the chemical inlet tube into the chemical container.

**NOTE:** When inserting the chemical tube into the chemical container, ensure that it stays submerged, as the chemical pump will not function if air is allowed to enter the inlet line.

2. Turn the 3-way chemical selector valve located on the control panel to the PRIME position. The chemical will then flow from the chemical container through the chemical prime tube into the vacuum system.

### **If the pump does not prime, then:**

Seal off the vacuum port. The vacuum will quickly draw chemical from the chemical container. After the flow begins, turn the chemical selector valve to OFF position and turn the chemical selector valve back to the PRIME position and continue the procedure.

3. When the chemical flows with no air bubbles, priming has been achieved. Turn the chemical selector valve from PRIME to METER. With the cleaning tool open, check the flow meter and adjust the chemical metering valve until the desired rate of chemical flow is achieved.

## **AUTOMATIC WASTE PUMP**

1. If your unit is equipped with an optional automatic waste pump, connect one end of the 5/8 in. or larger garden hose to the pump-out connection and the other end to an acceptable waste disposal.
2. Turn the pump-out switch located on the front console control panel to the ON position. The waste pump will now operate automatically throughout the cleaning period.

**DO NOT** use an outlet hose that is smaller than 5/8 in. I.D.

**NEVER** use a waste pump hose as a water inlet hose.



**NEVER dispose of waste water in a storm drain, water way or on ground areas. Always dispose of waste in accordance with Local, State and Federal laws.**

## **OPERATION**

After you have completed the previous steps, proceed with the cleaning or restoration operation. Place the throttle control cable to a minimum of 50% of throttle control maximum for cleaning or restoration. A float shut-off switch is located inside of the waste tank. It will automatically shut down the unit if the tank reaches its full capacity. If this occurs, empty the waste tank before continuing. When doing flood extraction, the water pump should be in the OFF position.

NOTE: Vacuum pressure must have a minimum 7"hg for the diverter valve to work properly. Attaching 1 length of hose should create enough vacuum pressure to achieve this.

## **CLEANING**

While cleaning, observe the following guidelines:

- Before cleaning, ensure that the wand nozzles are functioning properly.

Hold the wand approximately one foot above the surface to be cleaned and open the wand valve. A full even spray should emit from the cleaning nozzles. If the nozzles are not showing a full even spray pattern, adjust, clean, or replace the nozzles, if required.

- Usually, chemical solution is applied during the push stroke of the wand during cleaning, and extraction is done on the pull stroke. For heavily soiled carpets, the wand may be used in a scrubbing action, with chemical solution applied in both push and pull strokes, provided that the final stroke is a pull stroke with no chemical injection.

## SECTION THREE: USING YOUR CLEANING SYSTEM

### **UPHOLSTERY CLEANING**

Run unit on low speed. Upholstery tools have a lower flow rate and smaller orifices. Switch the temperature control to the desired temperature range. To maintain proper cleaning temperatures, make certain that the unit has been fully heated up prior to cleaning.

### **STAIR TOOL CLEANING**

Run unit on low speed. Switch the temperature control to the desired temperature range.

### **FLOOD RESTORATION/EXTRACTION**

Set the throttle control on the front control panel to a minimum of 50% of throttle control maximum. Make certain that the water pump switch is in the OFF position. Proceed into the extraction process.

### **DUAL WAND OPERATION**

The model Apex 570 has sufficient capacity for dual wand operation with minimal pressure loss at each wand. The pump pressure and temperature can remain at the same levels as for single wand operation. The chemical flow rate may be set slightly higher than for single wand operation.

Always use the LOWEST flow rate that properly cleans the affected areas. Excessive chemicals can cause damage to the items being cleaned.

## **GAUGE READINGS AND SETTINGS**

### **VACUUM PRESSURE GAUGE**

With the unit running, the vacuum gauge should read near zero with vacuum hoses disconnected from the vacuum inlets. If the gauge shows a reading, check the filter in the waste tank and the strainer baskets in both the waste tank and pre-filter box for debris. With vacuum ports sealed, and machine running at high speed, the vacuum gauge should read 11 to 13 inches of mercury (in. Hg). This is preset by the factory for the maximum safe operation. Depending on elevation, this may need to be reset at time of installation.



**DO NOT exceed 13 in. Hg vacuum pressure. This can cause damage to the vacuum pump.**

### **TEMPERATURE GAUGE**

The low speed setting is for upholstery and delicate cleaning. Set the machine to medium speed for single wand operation. The high speed setting is for dual wand operation or the use of a powered cleaning tool, such as the Sapphire Scientific HOSS. If a lower temperature is desired, open the temperature control valve on the instrument panel until the desired temperature is obtained. The highest temperatures will be achieved with the valve closed.

### SECTION THREE: USING YOUR CLEANING SYSTEM

#### **WATER PRESSURE GAUGE**

Water pressure is set by adjusting the pressure regulator valve on the lower front panel for the desired water pressure. Normal settings are as follows:

- 200 PSI for upholstery cleaning
- 450 PSI for carpet cleaning
- UP TO 1200 PSI maximum

If an upholstery tool is designed for truck mount operation, the pressure for upholstery cleaning can be set at the same level as for carpet cleaning.

#### **CHEMICAL FLOW METER**

The flow meter reads the flow rate from the chemical jug while the chemical is being drawn. The chemical adjustment should normally be set at 1 or 2 GPH for a normal job and at 2 or 3 GPH for an extremely dirty job.

**NOTE:** The setting is also dependent on the type of chemical used and the concentration ratio of chemical to water.

Always use the **LOWEST** flow rate that properly cleans the affected areas. Excessive chemicals can cause damage to the items being cleaned.



## **SHUT DOWN AND DAILY MAINTENANCE**

1. Flush out the chemical system with fresh water to remove any chemical residue.
2. Remove as much moisture from the vacuum hoses as possible to prevent spillage of wastewater in your vehicle when returning hoses. Disconnect the vacuum hose from the front of the unit.
3. Adjust the throttle cable to the idle position.
4. Switch the temperature control to the lowest setting.
5. Allow the unit to run for at least 5 minutes with the bypass valve open. This will also help to remove any excess moisture from the vacuum pump and cool the unit down.

**NOTE:** If shutting down for the day: Plug the vacuum inlet on the front of the unit and set the throttle to high. Spray a quality silicone or Teflon/PTFE based lubricant into the blower lubrication cup for 5 seconds. Let machine run 2 minutes to disperse lube to blower.

6. Unplug the vacuum inlet and remove load. Next, return the throttle control cable to idle position, and let idle for 3 to 5 minutes.
7. Turn the ignition switch to the OFF position.
8. Turn the water supply faucet off. Loosen the water supply hose at the water supply to bleed off any pressure. Unhook the water supply hose and return it to the vehicle.
9. Activate the valves on all cleaning tools. This will relieve any remaining pressure. Disconnect the cleaning tools and solution hoses and return them to the vehicle.
10. Drain the waste tank, disposing of wastewater in a suitable and proper location.
11. Remove the strainer basket from the waste tank. Clean out any debris and re-install. Micro-ban QGC cleaner is the best product for cleaning and sanitizing the waste tanks as well as other parts of the system
12. Inspect the vacuum inlet filter inside the waste tank daily. Remove and clean the filter if there is any lint or debris present.

**NOTE:** To remove or install the mesh filter, grip the plastic hexagon section of the filter. Gripping the filter by the screen will collapse or destroy the filter. Grease the threads on the filter when replacing. Hand tighten, then loosen ¼ turn. This will make the filter easier to remove later.

13. At the end of the work day, rinse out the waste tank with fresh water. Microban QGC cleaner as the best product for cleaning and sanitizing the waste tanks as well as other parts of the system
14. Clean the vehicle interior, unit, tools, hoses etc., as needed. Inspect ALL equipment and accessories for any damage, leaks, wear, etc.

## **FREEZE PROTECTION / DESCALING**

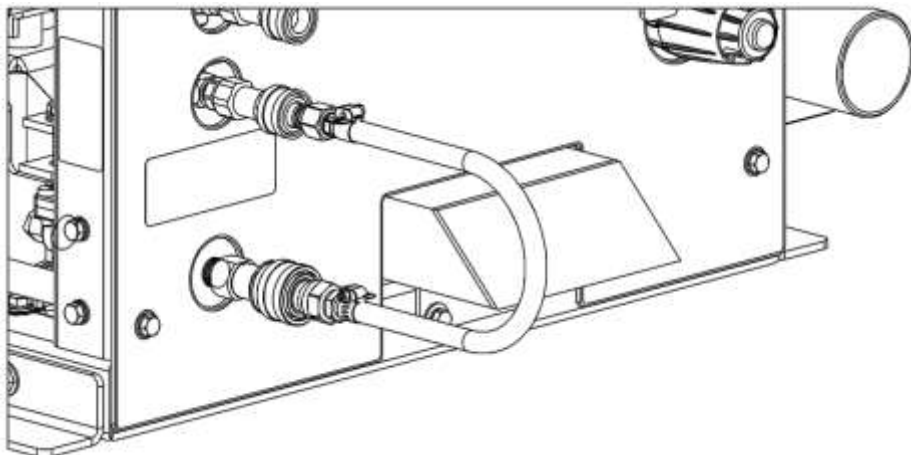
If the unit is exposed to freezing weather conditions, the water inside of the unit may freeze, resulting in **SERIOUS DAMAGE** to the unit. The following is recommended to prevent this from occurring during the cold weather season:

1. Always park the unit in a heated building when not in use.
2. While out in operation, avoid long periods of shut down as the unit generates heat while running. Keep the unit running just prior to leaving for the next job.
3. If a heated building is not available, winterize the unit with anti-freeze.  
It is not possible to winterize units that have auxiliary water tanks. If the unit has an auxiliary water tank(s), it must be stored in a heated building.

Hard water deposits will damage the plumbing and heat exchange systems on this unit if not maintained. Legend Brands recommends using a high quality water softener with a minimum flow capacity of 5 GPM in areas where hard water exceeds 3.5 grains. Descaling the unit every three to six months will help prevent calcium deposits or scale build-up in your system. The process for descaling your unit is almost identical to winterizing and are integrated below.

### **WINTERIZING AND DESCALING YOUR UNIT**

1. Disconnect your water supply. If you have an on-board water supply, fully drain it when your unit is down for long periods.
2. Run the unit on low to extract as much water as possible. This can be done through the bypass valve or an open-ended hose connected to the solution outlet. Turn the unit off.
3. Add one gallon of a minimum dilution of 50/50 or 100% glycol based anti-freeze or descaler (follow directions on the bottle of descaling agent of your choice for exact amounts) directly to the water box. On pressurized systems, remove the radiator cap to fill.



4. Create a loop with a winterizing hose by connecting one end to the water inlet and the other end to the solution outlet on the front of the unit. You can purchase a pre-assembled winterizing hose from Legend Brands, part number 68-168. Alternatively, you can make a short hose with 1/4" male quick connect to a 3/4" male quick connect.

### SECTION THREE: USING YOUR CLEANING SYSTEM

5. Turn the pressure regulator all the way down. Start the unit in idle, turn the water pump switch to the ON position and run coolant/descaler through the system. Allow the unit to run for about 3 minutes to fully circulate the coolant/descaler.
6. (Skip this step if descaling) Prime the chemical injection system with a minimum dilution of 50/50 or 100% glycol based antifreeze. Insert the chemical inlet and prime tube into the anti-freeze container. Turn the chemical valve to PRIME until anti-freeze comes out of the prime hose. Turn the chemical valve to the ON (chemical) position. Ensure that the flow meter indicates flow while the attached tools solution valves are opened. Ensure that all anti-freeze that comes out of the chemical hose goes into an approved container.
7. (Skip if descaling) After 25 seconds, turn the chemical valve to the OFF position.
8. Disconnect the winterizing hose loop. If descaling, run an alkaline through the system. Open the manual bypass valve to recover the rinse cycle.
9. Turn the pressure pump switch to the OFF position and turn the ignition switch to the OFF position to turn off your unit.

### **WINTERIZING THE HOSES AND TOOLS WITH ANTIFREEZE**

1. To winterize your hoses and tools, connect all hoses to the solution outlet. Connect a tool to the hoses. Make sure that the tool will drain into an approved container.
2. Make sure the pressure regulator is turned all the way down. Start the unit in idle and turn the water pump on. Open the tool valve until anti-freeze begins to flow from the tool. Repeat this procedure with all hoses and tools as necessary. Disconnect and store the hoses and tools once they have been filled with anti-freeze.

## **REMOVING ANTI-FREEZE FROM THE UNIT**

1. Connect the solution hoses to the unit, with a tool attached to the opposite end. Start the unit. Turn the water pump on. Open the tool valve and ensure that the anti-freeze goes into an approved container. Allow the anti-freeze to flow into the container until all anti-freeze has been drained.
2. Fill the water box with fresh water and repeat step 1.
3. Connect the water inlet hose to the unit and turn the water supply on. Connect all tools and solution hoses that were winterized to the solution outlet connection.
4. Open all tool valves and drain the anti-freeze into an approved container until the water runs clear and all of the anti-freeze is purged from the hoses and tools.
5. Insert the chemical prime hose into the approved container. Submerge the chemical hose into fresh water. Turn the chemical valve to the PRIME position until the water runs clear through the prime hose. Remove the prime hose from the container.
6. Turn the chemical valve to the ON (chemical) position and open attached tools solution valves. This will allow water to flow to the other side of the system.
7. After all of the anti-freeze has been removed, the unit is ready to operate.

The anti-freeze in your approved storage container will eventually become diluted with water. When the anti-freeze level drops below 40% of the total mixture, properly dispose of it and start over with fresh anti-freeze.

### **WARNING!**

**DO NOT drain used anti-freeze on the ground or into storm drains.**

**Dispose of anti-freeze only in an approved location. Observe Local, State and Federal laws when disposing of anti-freeze.**

## SECTION FOUR: SERVICE AND MAINTENANCE

### Apex 570 MAINTENANCE CHART

#### DAILY MAINTENANCE

Engine	Check engine oil level. (2) Fill to proper level.
Vacuum Pump	Check vacuum pump oil level. Fill to proper level. Do not overfill. (1)
Vacuum Pump	Spray silicone or Teflon/PTFE based lubricant into the lubrication cup for 10 seconds.
Pressure Pump	Check water pump oil level. (3) Fill to proper level.
Vacuum Inlet Filters	Inspect filters in the recovery tank, clean and or replace if required. (1)
Strainer Basket	Empty and clean stainless steel basket in the recovery tank.
Vacuum Hoses	Rinse with fresh water.
Waste Pump-Out	(Optional equipment) Inspect and remove any debris or sediment. (1)

#### WEEKLY MAINTENANCE

Float Switch(es)	Clean and inspect float switch(es) in the waste tank.
Visual Inspection	Check for leaks around the unit, check wires and hoses for wear.

#### MONTHLY MAINTENANCE

Engine	Check air cleaner for damaged, dirty or loose parts.
Engine	Inspect drive belts for wear. Replace as needed.
Engine Air Cleaner	Check vehicle engine air cleaner. Clean or replace as necessary.
Battery	Check fluid level and battery terminals. (1)
Thermal Well	Lubricate diverter shaft with anti-seize
Check Valve Strainer	Clean and remove debris (1, 4)
Check fasteners	Check fastener tightness on all components. Tighten as needed.

#### QUARTERLY MAINTENANCE

Inlet Pressure Regulator	Clean and remove any debris. (1, 4)
--------------------------	-------------------------------------

#### YEARLY MAINTENANCE

Check-Valve	Check seat for abnormal wear or debris. Replace as needed.
-------------	--

To maximize the operating life and performance, use only recommended oils, filters and greases.

(1) Or as often as required.

(2) Change engine oil and oil filter after **first 50 hours** of operation and then **every 200 hours**.

(3) Change water pump crankcase oil after **first 50 hours** of operation.

(4) Inspect after **first week** of operation, and remove any debris present. Inspect again after **2 to 4 weeks**.

**Apex 570 SERVICE INTERVAL CHART****SERVICE INTERVALS – EVERY 50 HOURS**

High Pressure Hoses	Inspect hoses for wear, damage or impending rupture. Replace if damaged.
Engine	Change engine oil after first 50 hours of operation.

**SERVICE INTERVALS – EVERY 100 HOURS**

Vacuum Relief Valve	Check and adjust vacuum relief valve up to 13” Hg if needed.
Pressure Regulator	Lubricate o-rings. Use only o-ring lubricant (Sapphire Scientific P/N 13-003)
Belts	Re-tension all belts (1)
Battery	Clean battery terminals.
Engine	Check spark plugs. Use only OEM spark plugs.

**SERVICE INTERVALS – EVERY 200 HOURS**

Engine	Change engine oil and filter.
Engine	Check engine air filter

**SERVICE INTERVALS – EVERY 250 HOURS**

Chemical Metering	Inspect packing nut on selector and metering valves. Adjust as needed.
-------------------	--

**SERVICE INTERVALS – EVERY 500 HOURS**

Pressure Pump	Change crankcase oil (2)
Engine	Replace in-line fuel filter. (5)
Pulleys and Hubs	Check pulleys and hubs for proper torque. (3)
Chemical Pump	Change diaphragm and check valves. Inspect disc.

**SERVICE INTERVALS – EVERY 1000 HOURS**

Vacuum Pump	Drain, flush and replace oil. (4)
Engine	Replace spark plugs. Use only OEM spark plugs.
Engine	Replace air filter element. (4)
Engine	Valve adjustment .0057 - .0073 in.

**SERVICE INTERVALS – EVERY 2000 HOURS**

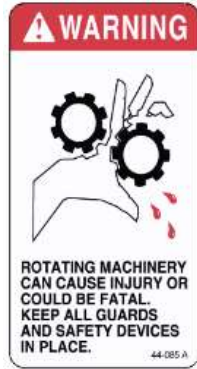
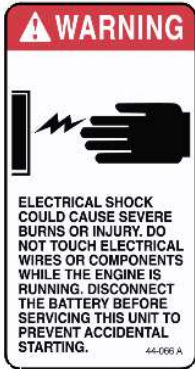
Belts	Replace all belts.
-------	--------------------

To maximize the operating life and performance, use only recommended oils, filters and greases.

- (1) Re-tension belts after **first 25 hours**, then every **100 hours** of operation after.
- (2) Change water pump crankcase oil after **first 50 hours** of operation.
- (3) Check pulley and hub set screws after **first 50 hours** of operation, and again at **100 hours** of operation.
- (4) Every **1000 hours** or **yearly**, whichever comes first.
- (5) Every **500 hours** or **yearly**, whichever comes first.

## MAINTENANCE AND SERVICE ADJUSTMENTS

This section of the operator’s manual contains the service and maintenance information for the model 570. A planned preventative maintenance program will ensure that your Apex 570 has optimum performance, long operating life, and a minimum amount of down time.



### **WARNING**

**DO NOT** attempt to service this unit while it is running. High speed parts as well as high temperature components may result in severe injury, severed limbs, or fatality.

**NOTE:** Refer to the hour meter as a guide for coordinating a maintenance schedule.

**ENGINE**

- **Check engine oil daily.** Ensure that the proper oil level is maintained. Never overfill.
- Change the oil after the **first 50 hours** of operation. Thereafter, change the oil and filter **every 200 hours** of operation. Use only OEM oil filters. Use of any other type of oil filter will void engine warranty.
- Use high-quality oil of at least API (American Petroleum Institute) service class SG or higher. **Do not use additives.** High quality 30W oil is recommended. It is never recommended to extend oil change intervals past 200 hours

Engine Oil Capacity	3.4 L 3.59 US qts
---------------------	----------------------

**NOTE:** Using lower service class oil or extending oil change intervals longer than recommended can cause engine damage.

Tightening Torque	
Drain Plug	33 – 37 N·m 3 kgf·m 24 – 27 lbf·ft

- Check the engine air filter **every 200 hours**, clean as needed. Replace the air filter element **every 1000 hours or yearly**, whichever comes first.
- Replace the inline fuel filter **every 500 hours or yearly**, whichever comes first.
- Check the spark pluge every **500 hours** of operation. Replace the spark plugs **every 1000 hours**. Use only OEM specified spark plugs.
- Adjust valves to .0057 - .0073 inches **every 1000 hours**.
- Adjust the engine speed to 3000 RPM max.

**DO NOT attempt to adjust without a tachometer and NEVER adjust the engine above 3000 RPM**



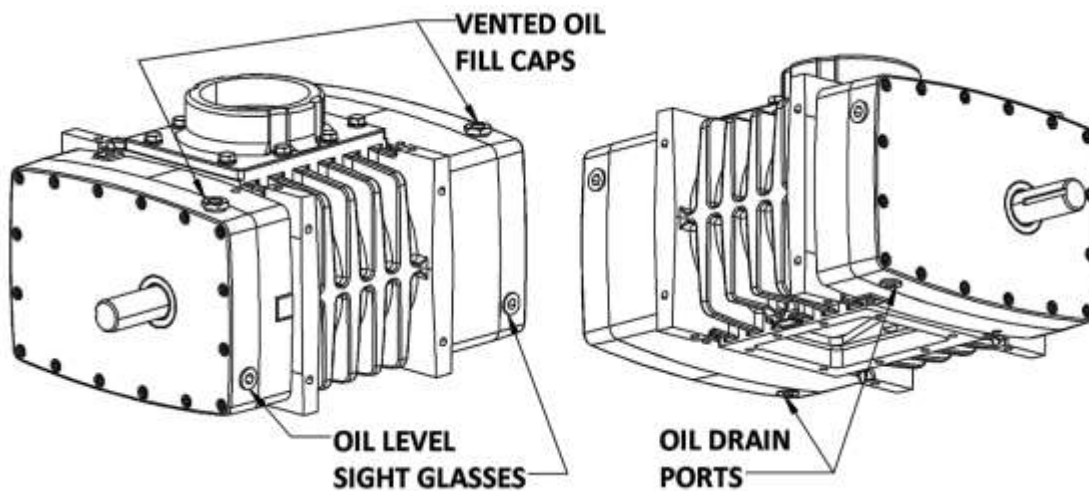
**VACUUM PUMP**

**NOTE:** Refer to the provided Vacuum Pump Operation and Service Manual for specific instructions.

- Check the oil level **daily** on both sides to ensure they are at the proper level. Too little oil will damage and ruin the bearings and gears. Too much oil will result in overheating.

Sapphire Scientific requires that you use only AEON PD-XD Synthetic Blower Lubricant in both sides of the vacuum pump for all operating temperatures. AEON PD-XD is formulated specifically for positive displacement blower service to provide maximum blower protection at any temperature.

AEON PD-XD (Sapphire Scientific Part # 13-004) is the only oil that Sapphire Scientific puts in the vacuum pump at the factory. Adding petroleum oil to synthetic oil is **NOT** recommended.



- A lubrication cup has been provided at the front of the console, to prevent rust from building up inside of the vacuum pump. Run the unit for at least 2 minutes to remove any moisture from the vacuum pump. Then, spray a quality silicone or Teflon/PTFE based lubricant into the lubrication cup for 2 seconds while the unit is running and the vacuum inlet port is sealed. This procedure should be done at the **end of every working day**.
- Drain, flush and replace the oil **every 1000 hours or yearly**, whichever comes first.

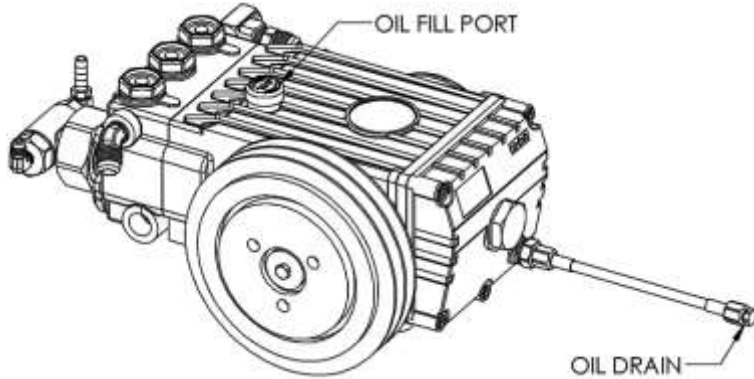
**NOTE:** Two drains are on your vacuum pump. Ensure that both sides of the vacuum pump are filled to their proper level when servicing.

<b>Vacuum Pump Oil Capacity</b>	
Shaft End	1.25 pints
Gear End	2 pints

**PRESSURE PUMP**

**NOTE:** Refer to the provided Pressure Pump Operation Manual for specific instructions.

- Check the crankcase oil level **daily** to ensure the proper level. If the level has dropped, check for the source of leakage and repair.



- After the **first 50 hours** of operation, change the crankcase oil Industrial Pump Oil, (Part # 13-030). Change the crankcase oil **every 500 hours** thereafter.

<b>Pressure Pump Oil Capacity</b>	40 oz.
-----------------------------------	--------

**DRIVE BELTS, PULLEYS and HUBS**

Check pulley and hub screws after the **first 50 hours** and again at **100 hours** of operation. Re-torque these bolts with a torque wrench. Follow the torque values on the following table.

Check pulley set screws and hub screws **every 500 hours** thereafter.

Ensure belts are properly tensioned after checking the torque values. Use Gates EPDM belts.

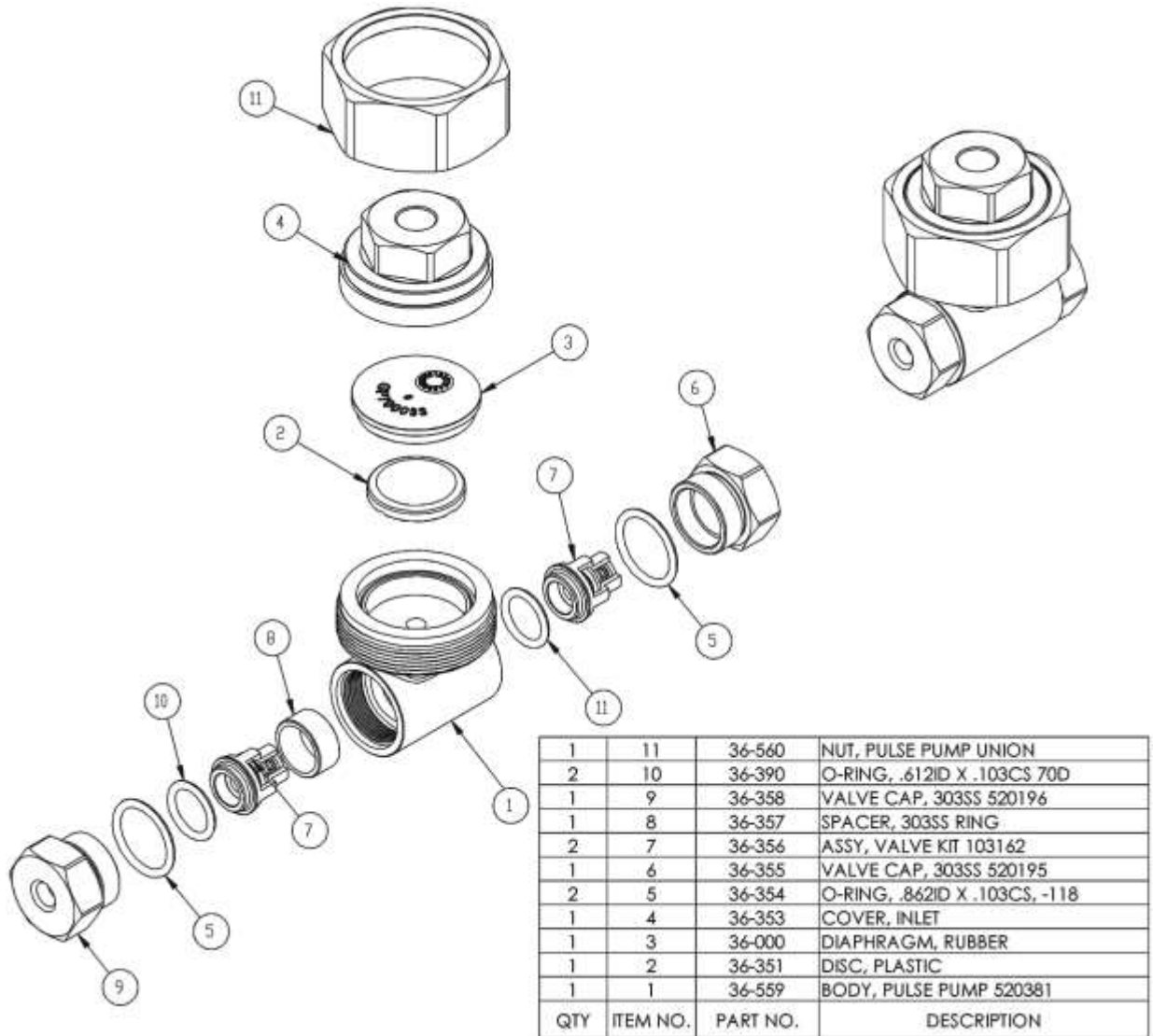
Use a clockwise pattern when re-torquing screws and continue until the proper torque is achieved.

<b>Torque Values</b>	
Engine Lower Front Pulley Bolt	69 lbf·ft
Engine Crankshaft Hub	40 lbf·ft
Engine Fan Mounting Bolts	7 – 8 lbf·ft
Vacuum Pump Hub #38-032	13 lbf·ft

**Note:** Engine flywheel is factory set at 40 to 43 lbf·ft

**CHEMICAL PUMP**

The chemical pump should be rebuilt **every 500 hours**. This involves changing the diaphragm, check valves, and inspecting the disk. **DO NOT** attempt to reuse o-rings after the check valves have been removed. Replace all o-rings when servicing check valves.

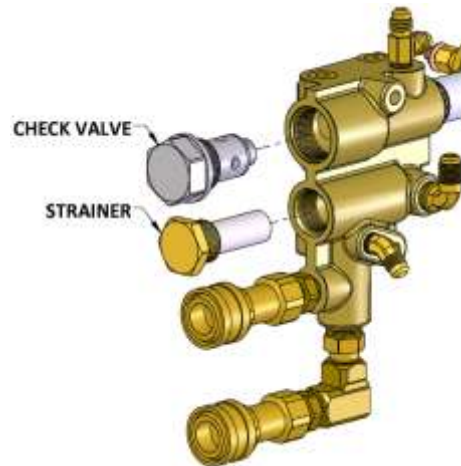


**SOLUTION MANIFOLD CHECK VALVE AND STRAINER**

Unscrew the screen and inspect the strainer after **the first week** of operation. Remove any debris present. Inspect again **after 2 and 4 weeks**. Thereafter, inspect the strainer and screen at least **monthly**. If a frequent build-up of debris is noticed, inspect and clean more frequently.

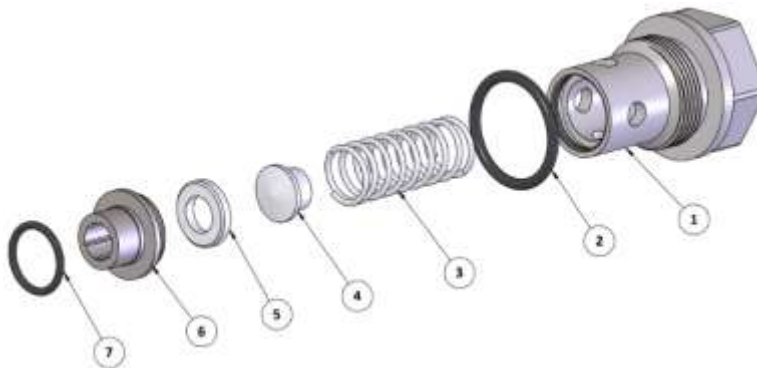
Always inspect the check valve and solution manifold strainer whenever performing service on the chemical pump or if flow problems are occurring in the chemical system.

1. Shut down Unit.
2. Remove and clean strainer mesh.
3. Remove the check valve, ensuring that the small o-ring on the seat comes out with it.
4. Next, remove the seat using a 5/16 in. Allen wrench.
5. Check the seat for wear or debris. Clean and replace the seat if necessary.
6. Inspect the poppet and the spring for wear or damage. Clean and replace as necessary.
7. Re-assemble the check valve. Thread the seat by hand until snug. Then tighten with a 5/16 in Allen wrench. **DO NOT** over-tighten.
8. Lubricate the new o-rings with o-ring lubricant (Part # 13-003) and re-install.



**NOTE:** New o-rings must be installed **anytime** the check valve is removed.

**NOTE:** Improper seating of the check valve seat, poppet, damaged spring or o-rings will result in poor performance of the chemical system.



**23-063 ASSEMBLY, CHECK VALVE MANIFOLD**

Item #	P/N	Qty.	Description
1	27-009	1	CAP, CHECK VALVE ASSY. SS
2	41-007	1	ORING, 7/8 ID X 1-1/16 OD
3	15-007	1	SPRING, CHECK VALVE ASSY.
4	27-010	1	POPPET, CHECK VALVE ASSY
5	27-004	1	INSERT, SEAT-CHK VLV ASSY TM
6	27-011	1	SEAT, CHECK VALVE ASSY.
7	41-008	1	ORING, ½ ID 5/8 OD

## PRESSURE REGULATOR

The pressure regulator holds water pressure at a preset point and bypasses the excess water.

### To adjust:

With the unit running, with the cleaning tool valve closed, the pressure gauge should read 0. With the tool valve open, adjust the pressure by turning the adjusting knob so that the pressure gauge reads between 0 - 1500 PSI.



### WARNING

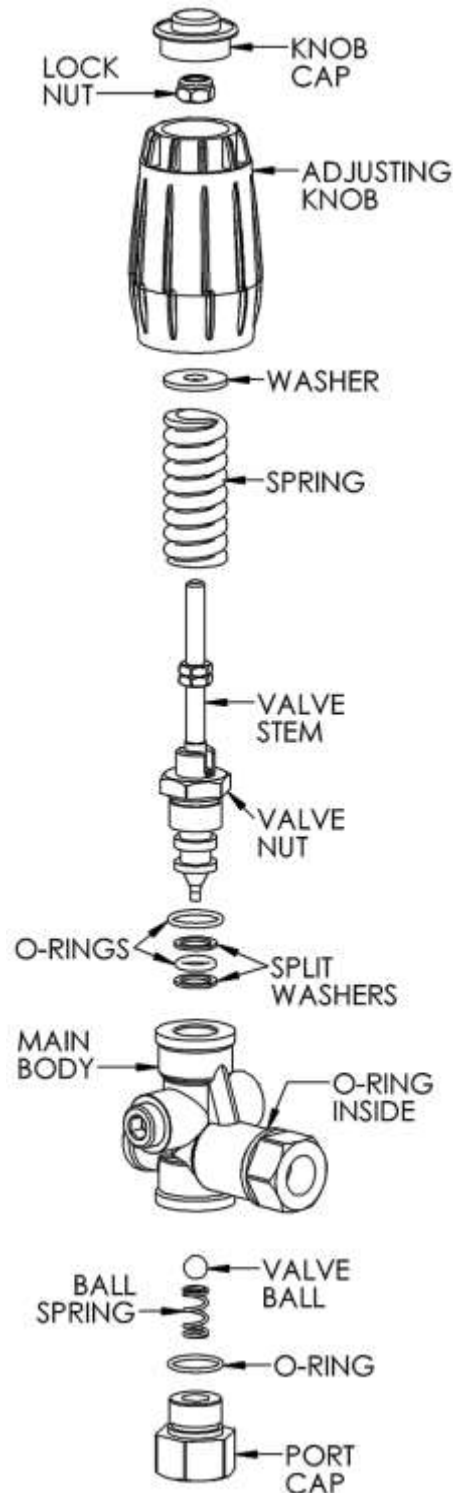
**DO NOT** loosen the adjusting body (cap) all the way (counterclockwise) or remove it while the unit is running.

Lubricate the o-rings in the pressure regulator **every 100 hours**.

Use only o-ring lubricant (Part #13-003).

If you do not, the stem may become seized due to inadequate lubrication. If this occurs:

1. Shut down the unit.
2. Relieve all pressure from the water system.
3. Loosen the valve nut and remove the valve stem with long nose pliers.
4. Clean and lubricate stem.
5. Reassemble pressure regulator.
6. Check the port cap o-rings for proper lubrication as well.



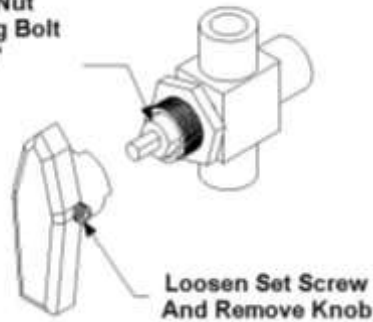
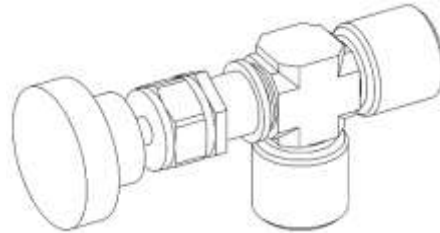
**CHEMICAL METERING SYSTEM**

Check and inspect the packing nut on the chemical selector and metering valves **every 250 hours**. Keeping the valve packing's properly adjusted will prevent leaks and add to the overall life of the valves.

When turning the knob, there should be some resistance. If not, slightly tighten the packing nut. **DO NOT** over tighten. Keeping the packing properly adjusted will eliminate possible leaks and will add to the overall life of the valves.

**23-027, CHEMICAL SELECTOR VALVE**

Adjust The Packing Nut  
By Turning The Packing Bolt  
Clockwise In 1/16"  
Increments.

**23-028, CHEMICAL METERING VALVE****VACUUM INLET FILTER**

- The vacuum inlet filter in the waste tank should be inspected and cleaned **daily**.

** CAUTION!**

When removing the vacuum inlet filter, grip the plastic hexagon section of the filter. Grasping filter by the screen will damage or destroy the filter. Applying anti-seize grease to the threads will allow easier removal of filter when cleaning or replacement is required.

**RECOVERY TANK STRAINER BASKET**

The recovery tank strainer should be emptied and cleaned on a **daily** basis.

**BATTERY** **WARNING!**

**Explosive gases, Dangerous acid!**

**Batteries contain sulfuric acid. To prevent acid burns, avoid contact with skin, eyes and clothing. Batteries also produce explosive hydrogen gases while charging. To prevent fire or explosion, charge batteries only in a well ventilated area. Keep sparks, open flames, as well as any other sources of ignition away from batteries at all times. Remove all jewelry prior to servicing batteries.**

Before disconnecting the negative (-) ground cable, ensure that all switches are in the OFF position. If ON a spark could occur at the ground connection terminal, which could cause an explosion if hydrogen gas or gasoline vapors are present. ALWAYS disconnect the negative (-) terminal first.

- If you do not have a maintenance free sealed battery, check the fluid level in the battery at least once a week. If low, fill to the recommended level ONLY with distilled water. DO NOT overfill the battery. Early failure or poor performance will result due to loss of electrolyte.
- Keep cables, terminals and external surfaces of the battery clean and dry. A buildup of corrosive acid or grime on the external surfaces could cause the battery to self-discharge.
- Battery terminals should be cleaned every 100 hours to prevent corrosion buildup. Wash the cables, terminals and external surfaces with a mild baking soda and water solution. Rinse thoroughly with fresh water. DO NOT allow baking soda to enter the battery cells, as this will destroy the electrolyte, resulting in battery failure.

**VACUUM HOSES**

To ensure maximum hose life, Sapphire Scientific recommends that you wash out the hoses with fresh water **daily**. Micro-ban QGC cleaner as the best product for cleaning and sanitizing the wands and hoses as well as other parts of the system.

**HIGH PRESSURE SOLUTION HOSES**

Inspect your high-pressure solution hoses for wear after the **first 100 hours**. Thereafter, inspect **every 50 hours**. If the hoses show any signs of damage or impending rupture, replace the hoses.

 **WARNING!**

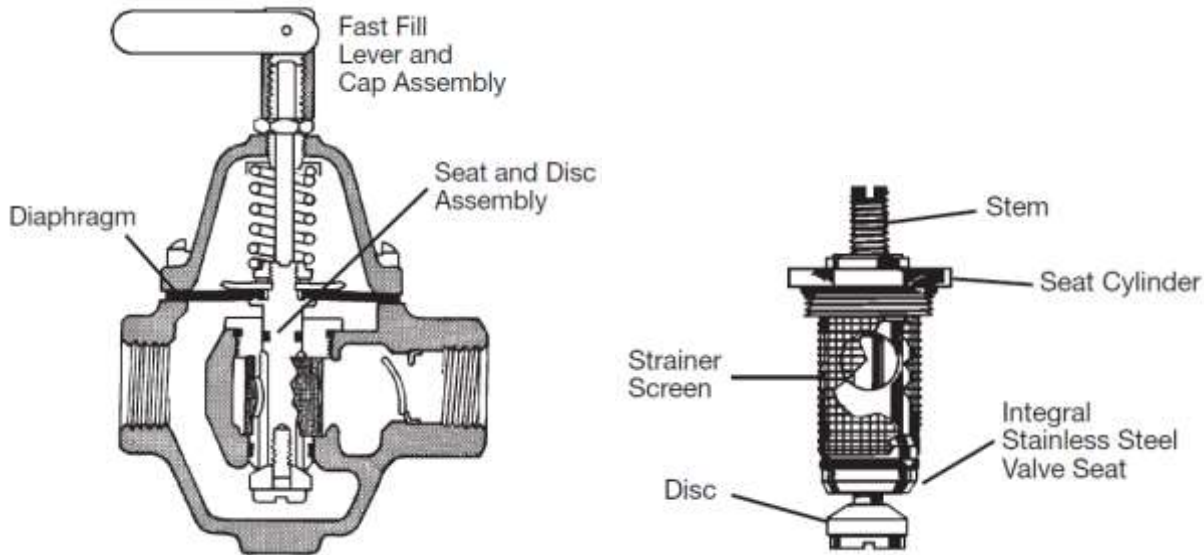
**NEVER attempt to repair high-pressure solution hoses. Repairing high-pressure solution hoses may result in severe burns and serious injury.**

All high-pressure solution hoses must be rated for 3000 PSI at 250 deg. F. Thermoplastic hoses do not meet this requirement and should not be used. Severe burns and injury may result if the hoses do not meet these requirements.

## **VACUUM RELIEF VALVE**

With the unit running at full RPM, block off the airflow at the vacuum inlet port and read the vacuum gauge. If adjustment is required, shut the unit down and adjust the locking nut tension on the vacuum relief valve. Re-start the unit and read the vacuum gauge. Repeat this process until the vacuum relief valve opens at 13" Hg. Always ensure the lock nut is retightened.

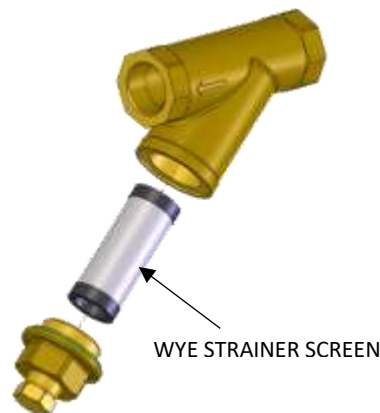
## **INLET PRESSURE REGULATOR**



Incoming water is filtered through two stainless steel mesh screens. The first stainless steel mesh screen is located inside the inlet pressure regulator. Inspect and clean at least once a month. Hard water deposits can build and reduce water flow. The inlet pressure regulator comes pre-set at the factory.

## **WYE STRAINER**

The second screen is located in the wye strainer, on the pressure pump. The wye strainer captures incoming debris and will restrict water flow when clogged. Inspect and clean at least once a month or as needed. Hard water deposits can build and reduce water flow.





**VACUUM PUMP BELT REPLACEMENT**

Belt Replacement Procedures for Model 570:

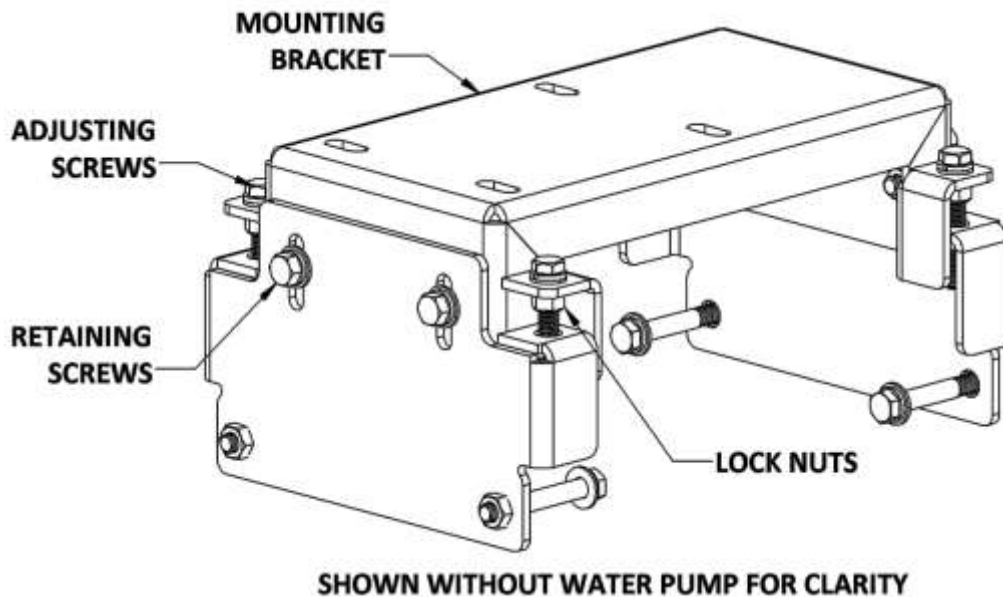
**Only use Gates EPDM belts**

1. Disconnect the negative battery cable.
2. Remove hose from waste tank to vacuum pump.
3. Remove side hoods and top panel.
4. Remove left and right hand belt guards.
5. Loosen the hose clamp under the blower.
6. Lower the blower plate approximately 1/2 inch.
7. Tip the back of the blower up.
8. Remove all belts. Install new belts.
9. After belts have been installed, check for proper tension and alignment. Do this using a belt gauge. Set deflection to 1/4"; 10-12 lbs tension.
10. Check pulleys for alignment using a straight edge (example: 1/2" key stock). Make sure pulley flange touches on 2 places on each pulley (4 total places).

**WATER PUMP DRIVE BELT REPLACEMENT**

To tighten the water pump belt:

1. Loosen the four retaining screws on the side of the mounting bracket.
2. Verify that the lock nuts are not jammed tight, then turn the adjusting screws counterclockwise to raise the mounting bracket.
3. Once the belts are replaced, turn the adjusting screws clockwise to tension the belts until proper tension is achieved (1/2" deflection in the center of the belts, half-way between the pulleys).

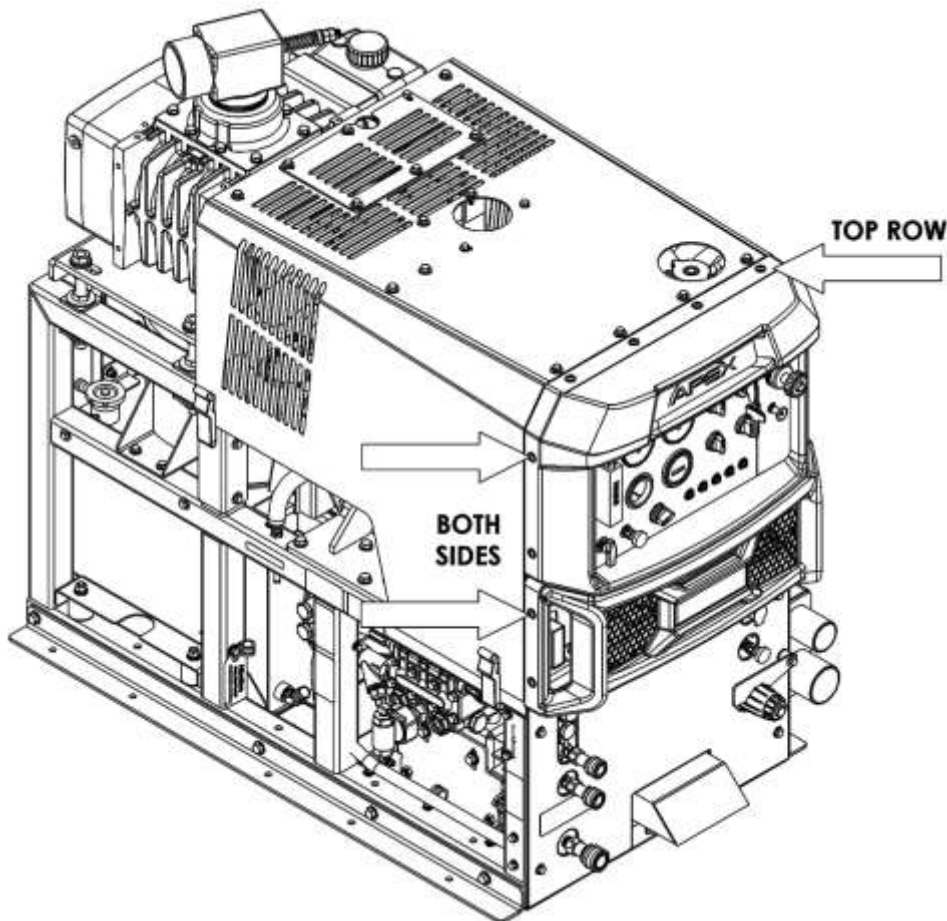


**INSTRUMENT PANEL ACCESS**

To easily access the rear of the instrument panel for maintenance:

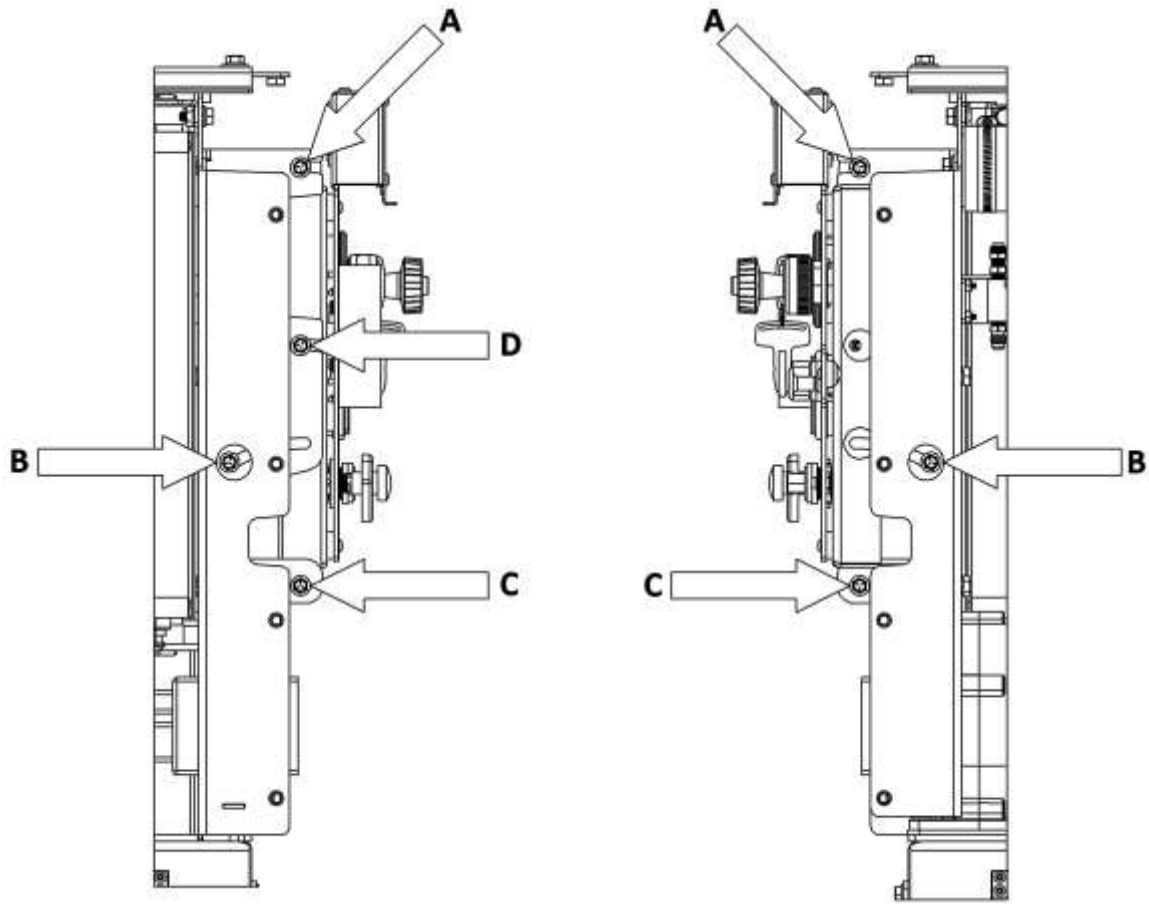
1. Remove the upper and lower front end bezel components by removing the twelve screws around the perimeter (shown in Figure 1), removing the upper section first, then the lower section and carefully set them aside.
2. Remove the left and right side hood panels and carefully set them aside.
3. Using a 3/8" socket and 6-inch extension, loosen the retaining screws (as shown in Figure 2). Do not completely remove these screws.
4. With the screws loose, you can now pivot the top of the instrument panel forward (as shown in Figure 3 below), allowing for maintenance access to the panel. If you need more access, you can remove screws "C" as shown in Figure 2 below. Be careful not to overextend the wire harness coming through the upper right as this will damage the unit.
5. Follow these instructions in reverse to close up the unit.

**NOTE:** Do not over tighten the screws holding on the upper and lower front end bezel, doing so may damage these components.

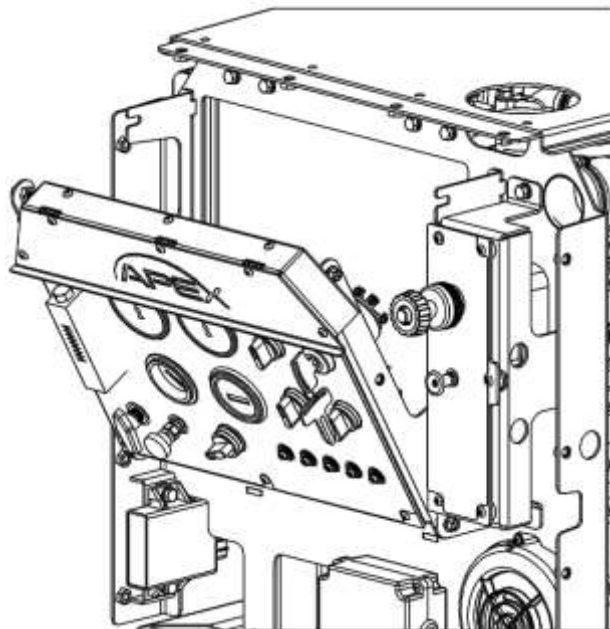


*Figure 1 - Top and Side Bezel Screws*

**INSTRUMENT PANEL ACCESS**



*Figure 2 - Right and Left Side Views*



*Figure 3 - Instrument Panel Access*

## TROUBLESHOOTING

### **WARNING!**

**DO NOT attempt to service this unit while it is running. High-speed parts as well as high temperature components may result in severe injury, severed limbs or fatality.**

This section of the operator's manual describes how to look for and repair malfunctions, which may occur.

Accurate troubleshooting is based on a thorough and complete understanding of the WATER, CHEMICAL, VACCUM, HEAT TRANSFER, SAFETY and WIRING systems featured in this unit.

If there are malfunctions occurring on this unit which you do not understand, refer back to the OPERATION section of this manual and review SYSTEM.

### **WARNING!**

Do not alter or modify your model Apex 570 in any way. Use only replacement parts authorized by Sapphire Scientific. Modifications or use of unapproved parts could create a hazard and will void your warranty. Contact your authorized Sapphire dealer for assistance.

**ENGINE TROUBLESHOOTING****ENGINE WILL NOT START (STARTER DOES NOT TURN OVER)**

<b>PROBABLE CAUSE</b>	<b>SOLUTION</b>
Main circuit breaker on the control panel has been tripped.	After inspecting the unit to determine the cause of the tripped breaker, press the reset button.
Loose or corroded battery connections.	Clean, tighten or replace the battery terminals.
Dead battery.	Recharge or replace battery
Defective ignition switch.	Test ignition switch for power going into the switch. If there is power going in, but none coming out, replace the switch.
Defective starter motor.	Test the starter motor. Replace if necessary.
Vacuum pump seized.	Refer to the vacuum pump manufacturer service and repair manual.

**STARTER TURNS OVER BUT ENGINE WILL NOT START**

<b>PROBABLE CAUSE</b>	<b>SOLUTION</b>
Recovery tank is full.	Empty the recovery tank.
Defective fuel pump.	Replace the fuel pump.
Loose or broken wires leading to the recovery tank float switch.	Repair or replace any broken electrical connections.
Defective float switch inside recovery tank.	Check switch for proper operation. Replace if necessary.
Oil pressure switch (located on engine), fuel shut-off solenoid (located on engine).	Test these components. If any are defective, replace. Consult the Kubota Engine Operation and Maintenance Manual.
Engine is malfunctioning.	Refer to Kubota Engine Operation and Maintenance Manual.

**ENGINE STOPS RUNNING DURING NORMAL OPERATION**

<b>PROBABLE CAUSE</b>	<b>SOLUTION</b>
Engine is out of gasoline.	Check the fuel tank.
Recovery tank is full.	Empty recovery tank.
Main circuit breaker on the control panel has been tripped.	After inspecting the unit to determine the cause of the tripped breaker, press the reset button.
Defective fuel pump.	Replace fuel pump.
Defective float switch inside recovery tank.	Check switch for proper operation. Replace if necessary.
Oil pressure switch on engine has shut down due to insufficient oil pressure.	Refer to the Kubota Engine Operation and Maintenance Manual. <b>DO NOT</b> restart the engine until the cause is determined and corrected.
No ignition in the engine or the engine is malfunctioning.	Refer to the Kubota Engine Operation and Maintenance Manual.

SECTION FOUR – SERVICE AND MAINTENANCE

**VACUUM PUMP TROUBLESHOOTING**

**LOSS OF VACUUM** (while cleaning, engine RPM is normal but vacuum is lower than expected)

<b>PROBABLE CAUSE</b>	<b>SOLUTION</b>
Vacuum gauge is giving an improper reading.	Examine the tubing between the vacuum relief valve and the vacuum gauge and remove any blockage.
Vacuum hose(s) is damaged, causing a suction leak.	Inspect hose(s), repair or replace.
Waste tank gaskets not sealing properly, not positioned properly.	Inspect the gasket. Repair seal or replace Re-position lid(s).
Plugged vacuum hose or vacuum plumbing between vacuum inlet and strainer basket.	Unplug vacuum hose or inlet plumbing.
Waste tank filter or strainer basket is plugged.	Clean or replace filter. Clean strainer basket.
Loose vacuum pump drive belts.	Tighten the drive belts.
Waste tank drain valve is damaged or left open, causing a vacuum leak.	Drain the waste tank. Close drain valve, if open. Replace valve if defective.
Vacuum relief valve requires adjustment or has a vacuum leak due to damaged diaphragm.	Re-adjust the vacuum relief valve. If the vacuum does not increase, remove and inspect the relief valve diaphragm. If damaged, replace.
Vacuum exhaust heat exchanger plugged.	Remove and clean.
Vacuum pump is worn out.	Replace the vacuum pump.

**EXCESSIVE VACUUM** (while cleaning, engine RPM is normal but vacuum is higher than expected)

<b>PROBABLE CAUSE</b>	<b>SOLUTION</b>
Vacuum relief valve requires adjustment.	Readjust vacuum relief valve to 13” Hg.
Improper throttle adjustment.	Adjust throttle to set desired vacuum pressure.

**PRESSURE PUMP TROUBLESHOOTING****LOSS OF SOLUTION PRESSURE (CLEANING TOOL OPEN, SOLUTION GAUGE READS LOW)**

<b>PROBABLE CAUSE</b>	<b>SOLUTION</b>
Water supply is turned off or the float valve is stuck.	Turn the water supply on or up. Check for kinks in the water supply hose. Examine the float or replace.
Solution pump inlet supply line is plugged or drawing air.	Examine the water inlet filter inside the water box. Remove accumulated debris and replace if required. Check for suction leaks and loose clamps or fittings. Tighten any loose fittings or clamps. Replace any ruptured hose(s).
Improper engine speed.	Using a tachometer, check the engine speed. Full throttle engine speed is 3000 RPM. Idle engine speed is 1500 RPM.
Pressure regulator o-rings are dry and/or worn. See instructions on regulator.	Check o-rings. Lubricate and/or replace as needed, using o-ring lubricant.
Pressure regulator is dirty, stuck open, or improperly adjusted. See instructions on regulator.	Clean or repair regulator. Adjust to working pressure. Lubricate o-rings, using o-ring lubricant.
Low pump volume. (Measure the amount of water being returned to the water box from the pressure regulator. It should fill a gallon container about every 17.6 seconds).	Examine the check valves, plunger cups, and cylinder head on the water pump. Repair, whenever required (refer to the water pump service manual).
Defective water pressure gauge.	Replace gauge.
Orifice (spray nozzle) in the cleaning tool is worn, defective or wrong size.	Replace Nozzle or change nozzle size.
Debris clogging water lines or water inlet disconnect.	Clean or replace as needed.
Belts loose or broken.	Re-tension or replace as needed.
Loss of pump prime.	Manually prime water pump.
Temperature Balance Orifice missing.	Replace Orifice.

**LOSS OF SOLUTION VOLUME AT TOOL (PRESSURE GAUGE READS NORMAL)**

<b>PROBABLE CAUSE</b>	<b>SOLUTION</b>
Plugged orifice and/or screen in the cleaning tool.	Unplug or replace orifice and/or screen.
Internal block between the inlet pressure regulator and the solution outlet manifold, or the solution screen is clogged.	Inspect all lines, remove accumulated debris which is blocking flow. Replace any defective hoses. Remove, inspect, and clean the solution screen. De-scale unit and install a water softener, if necessary.
Outlet check valve is plugged.	Examine the check valve, remove any debris.
Defective quick-connect on one or more of the high pressure hoses.	Replace defective quick-connects(s) on high pressure hoses(s).
Cleaning tool valve is malfunctioning.	Repair or replace valve.
Hose inner lining is constricted.	Remove restriction or replace hose.
Air leak in chemical supply line, priming valve or metering valve.	Check for air leaks. Replace faulty parts.

## SECTION FOUR – SERVICE AND MAINTENANCE

### PRESSURE PUMP DOES NOT ENGAGE

PROBABLE CAUSE	SOLUTION
Pressure pump circuit breaker has been tripped.	Check the pressure pump circuit breaker on the control panel. Press the circuit breaker reset button.
Defective electrical connection in the console wiring or defective switch.	Examine switch, electrical connections, and wiring. Repair any defective connections. If there is power going to the switch but not going out, replace the defective switch.
Pressure pump has not been activated.	Turn pressure pump switch to on.
Defective pressure pump clutch.	If there is power in the switch, but not power at the clutch, replace the defective wire. If there is power at the clutch, replace the defective switch.
Loose or broken pressure pump belts.	Tighten or replace belts.

### CHEMICAL SYSTEM TROUBLESHOOTING

#### CHEMICAL FLOW METER INDICATES FLOW WITH TOOL VALVE CLOSED

PROBABLE CAUSE	SOLUTION
External leak in chemical piping.	Tighten or replace fittings. Re-apply thread sealant where required.
Outlet check valve is full of debris or damaged, not allowing it to close properly.	Close the chemical valve on the instrument panel. If the flow meter does not indicate flow, remove debris or replace check valve, if necessary.
Chemical pump diaphragm is ruptured.	Close the chemical valve on the instrument panel. If the flow meter still indicates flow, replace the chemical pump diaphragm.
Internal leak in chemical valve causing continual flow through prime tube returning to container.	Tighten valve packing nut (see “General Service Adjustments”). Replace valve, if necessary.

#### LOSS OF CHEMICAL (CLEANING TOOL OPEN, NO CHEMICAL)

PROBABLE CAUSE	SOLUTION
Chemical pump is improperly primed.	Refer to chemical pump priming instructions.
The strainer at the inlet end of the chemical inlet line is clogged.	Unclog the strainer. If damaged, replace.
Suction leak in the inlet line leading into the chemical pump.	Inspect inlet lines and flow meter for air leaks or damage.
Chemical pump check valve(s) is clogged.	Remove any debris from the chemical check valve(s). Replace chemical check valve(s) or seals, if necessary.
Chemical prime/on-off valve or chemical metering valve is defective.	Replace valve(s).
Chemical pump diaphragm is ruptured.	Disassemble the chemical pump and replace the damaged diaphragm.
Defective cylinder in the pressure pump.	Measure the pump volume. If the pump volume is less than normal, refer to “Loss of Solution Volume” in this section.



**HEAT EXCHANGER/TEMPERATURE RELATED TROUBLESHOOTING****EXCESSIVE HEATING**

<b>PROBABLE CAUSE</b>	<b>SOLUTION</b>
Flow restriction caused by hard water scaling.	Descale unit, repair or replace damaged plumbing components as necessary. Install a water softener.
Thermal relief valve stuck.	Check thermal relief valve for scaling or debris.
Not enough water flowing during normal operation.	Check jet size of tool.
Orifice clogged.	Clean orifice.

**LOSS OF TEMPERATURE**

<b>PROBABLE CAUSE</b>	<b>SOLUTION</b>
No vacuum hose is connected.	Connect vacuum hose to vacuum inlet port.
Temperature relief valve on water box is stuck open.	Clean temperature relief valve and test. Replace if necessary.
Engine RPM is low.	Reset engine RPM.
Defective temperature gauge.	Test gauge and sensor. Replace failed component.
Temperature balance orifice missing.	Replace orifice.
Manual inlet bypass valve open.	Close valve, check for leaks. Replace if leaking.

**HEAT EXCHANGER LEAKING**

<b>PROBABLE CAUSE</b>	<b>SOLUTION</b>
Water is dripping from the exhaust port due to condensation build-up.	NOTE: The heat exchanger will produce water condensation discharge at times during normal operation. Do not confuse this with a leak.
Heat exchanger is damaged from frozen water.	Inspect heat exchanger for leaks. Visually inspect for damage. Pressure check after removing the unit (maximum test pressure – 1500 PSI).

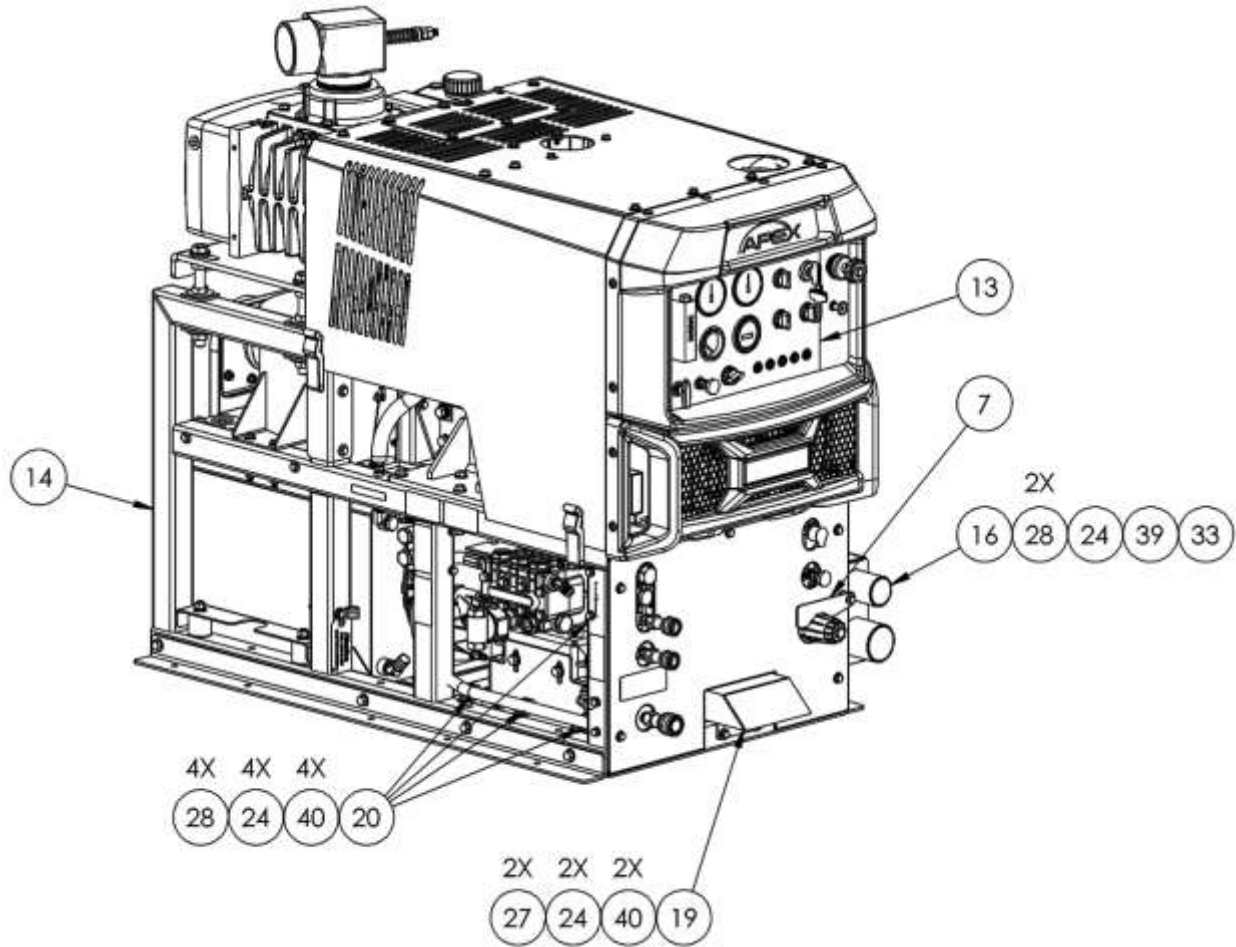
**WASTE PUMP (IF INSTALLED) TROUBLESHOOTING****WASTE PUMP NOT OPERATING NORMALLY**

<b>PROBABLE CAUSE</b>	<b>SOLUTION</b>
Defective waste pump float switch.	Replace float switch.
Inspect check valve for debris or damage.	Clean or replace if necessary. Ensure that check valves are seated correctly by extending the spring.
Broken diaphragm(s).	Replace diaphragm(s).
Weak battery.	Charge or replace battery if needed. Check charging station.
Pump-out circuit breaker on control panel has been tripped.	After inspecting waste pump to determine the cause of the tripped circuit breaker, press the reset button.

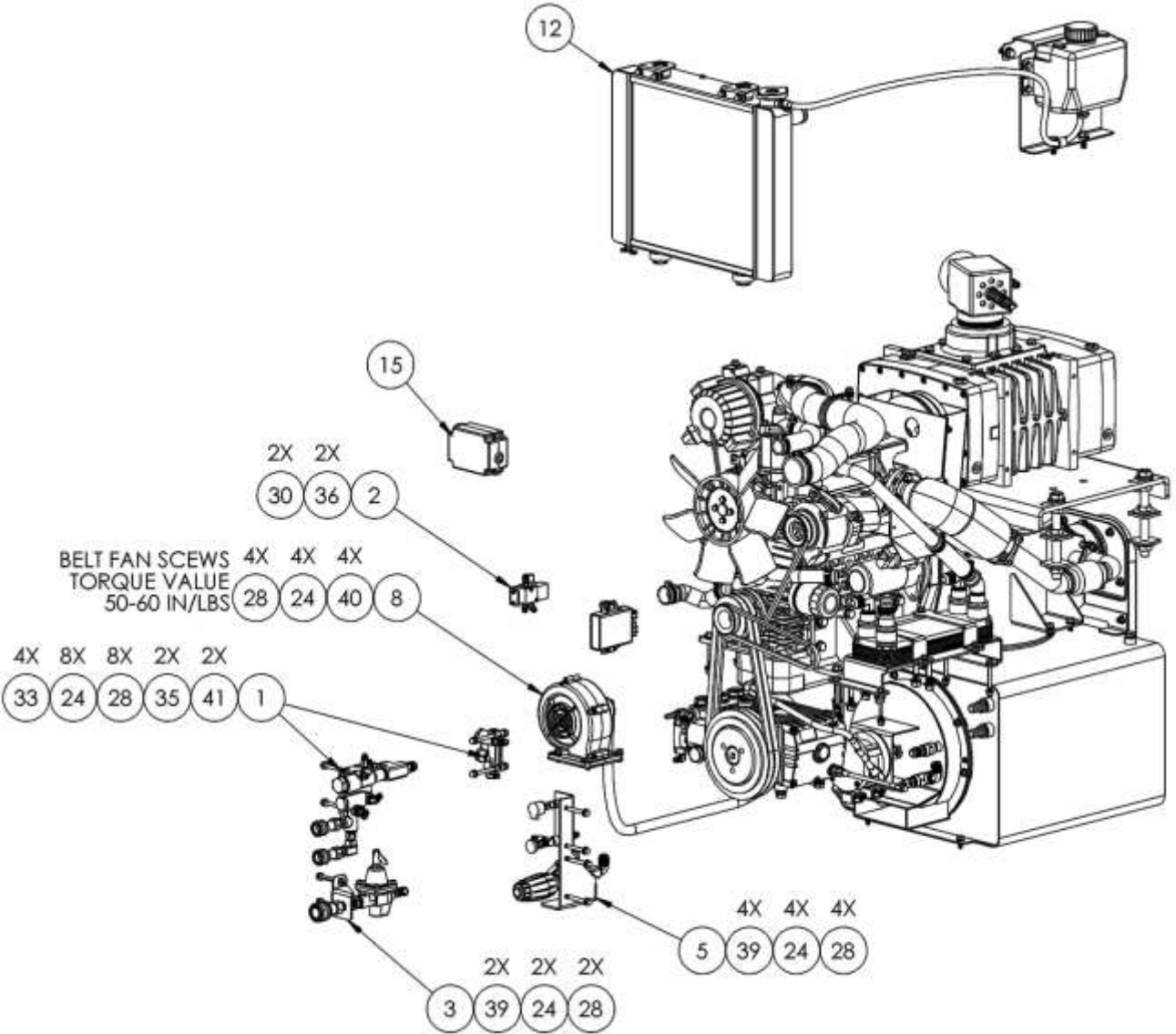
## SECTION FIVE: PARTS LISTING AND REFERENCE

CONSOLE ASSEMBLY .....	62
FRAME AND ENCLOSURES .....	66
WATER PUMP BRACKET ASSEMBLY .....	69
INSTRUMENT PANEL .....	70
ENGINE ASSEMBLY .....	73
VACUUM PUMP ASSEMBLY .....	77
VACUUM RELIEF VALVE ASSEMBLY .....	78
PRESSURE PUMP ASSEMBLY .....	79
CHEMICAL PUMP .....	81
COOLANT HEAT EXCHANGER .....	82
THERMAL WELL .....	83
RADIATOR AND OVERFLOW BOTTLE .....	85
SOLUTION AND BYPASS MANIFOLDS .....	86
PRESSURE REGULATOR .....	88
PRESSURE REGULATOR LATCH .....	89
WATER INLET AND REGULATOR ASSEMBLY .....	90
VACUUM INLET BRACKET .....	91
BELT COOLING FAN .....	92
DIVERTER LOCKOUT VALVE .....	93
TEMPERATURE CONTROL MODULE .....	94
90 GALLON WASTE TANK .....	95
120 GALLON WASTE TANK .....	97
WASTE TANK PORTS KIT .....	99
WASTE TANK HOSES KIT .....	100
FUEL PUMP ASSEMBLY .....	101
FUEL FILTER KIT .....	102
DECALS .....	103
WIRING DIAGRAM .....	104
HOSE ROUTING/FLOW DIAGRAM .....	105
OPTIONAL ACCESSORY: AUTOMATIC PUMPOUT .....	107
FUEL HOOK-UP KITS .....	110

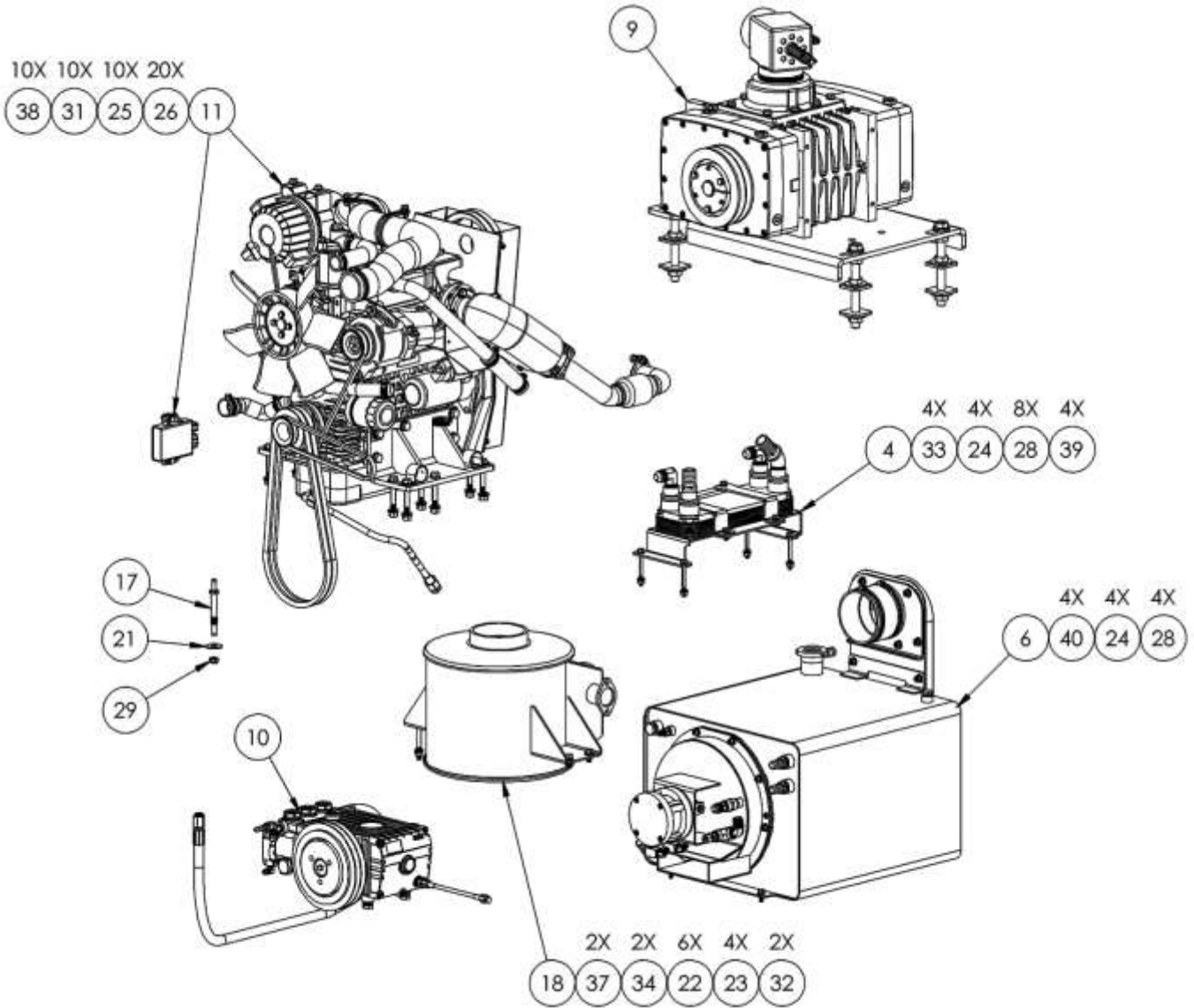
70-570, CONSOLE, SAPPHIRE APEX 570



SECTION FIVE: PARTS LISTING AND REFERENCE  
 70-570, CONSOLE, SAPPHIRE APEX 570



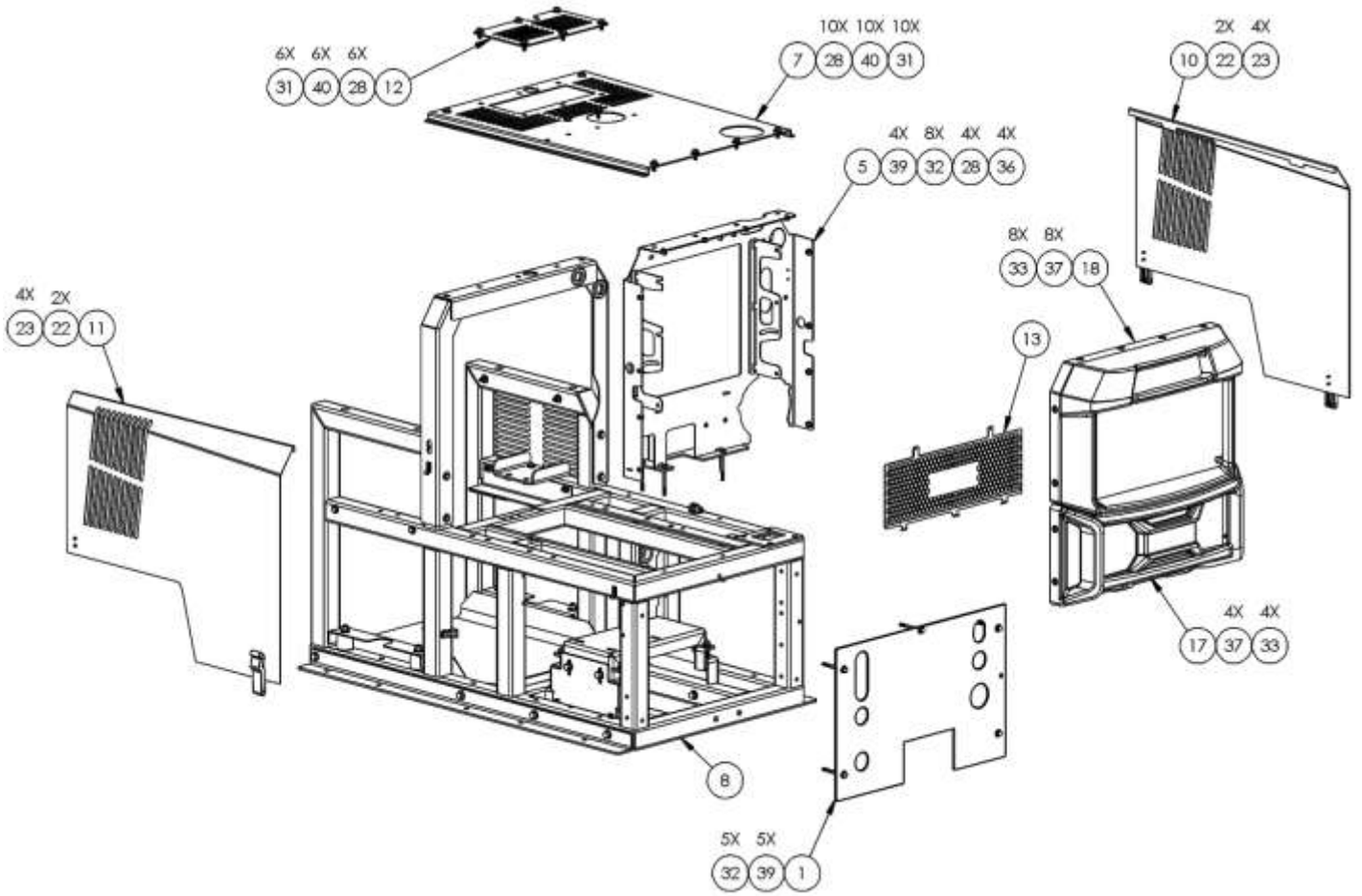
SECTION FIVE: PARTS LISTING AND REFERENCE  
 70-570, CONSOLE, SAPPHIRE APEX 570



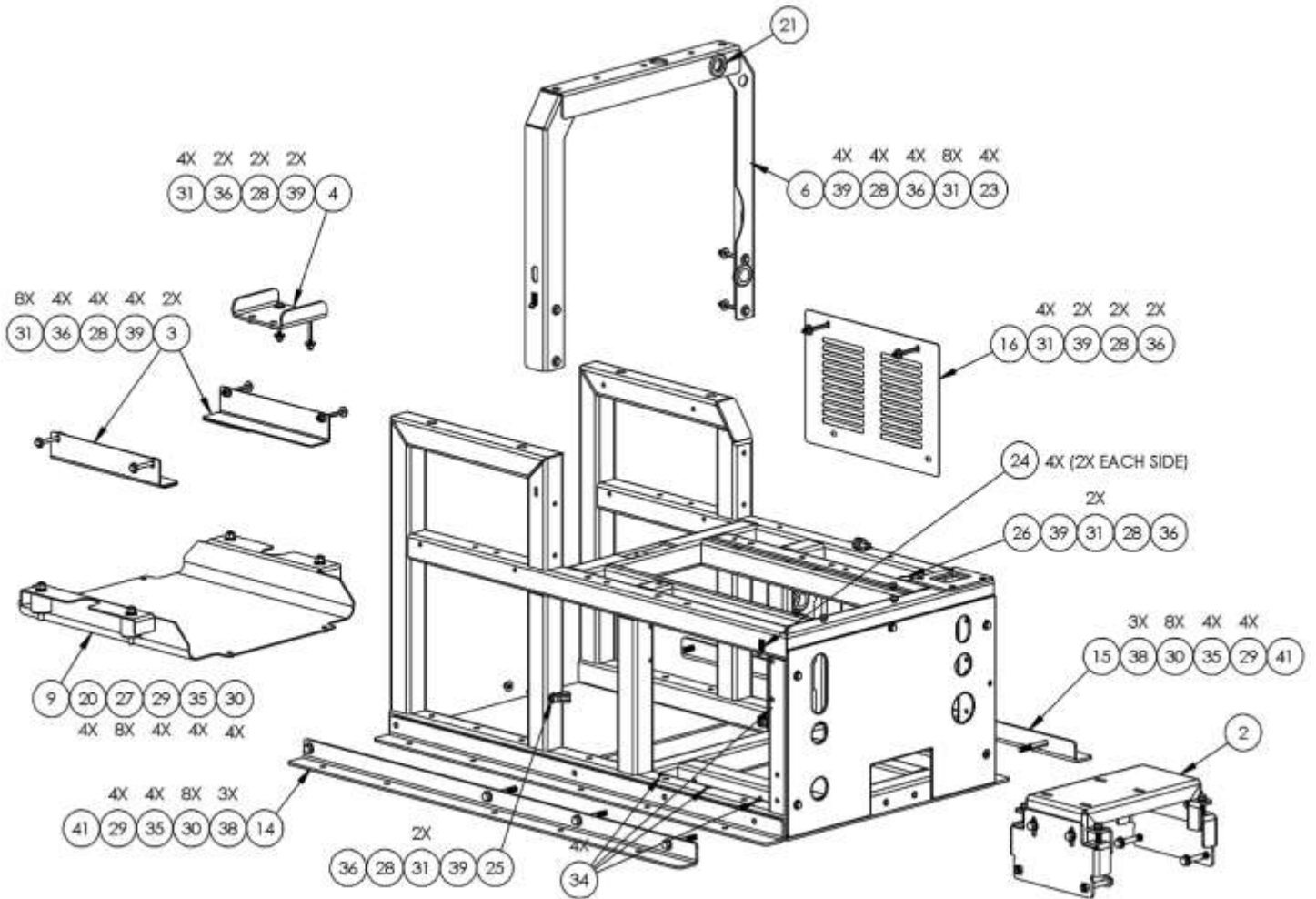
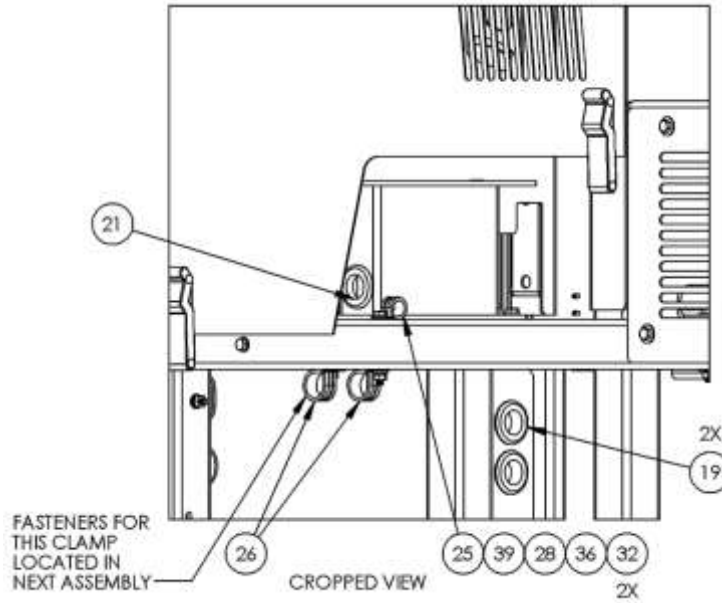
SECTION FIVE: PARTS LISTING AND REFERENCE  
**70-570, CONSOLE, SAPPHIRE APEX 570 BOM TABLE**

2	41	10-003	BOLT, 1/4-20 X 3 1/2 HH ZP
14	40	10-025	SCREW, MACH 1/4-20 X 3/4 HXHD GRD5
11	39	10-028	SCREW, MACH 1/4-20 X 2-3/4 HXHD
10	38	10-030	SCREW, MACH 3/8-16 X 3 HXHD
2	37	10-034	BOLT, 5/16-18 X 3/4 HH ZP
2	36	10-149	SCREW, 6-32 X 1/2 PHP ZP
2	35	10-160	BOLT, 1/4-20 X 4 1/2 HH ZP
2	34	10-174	SCREW, MACH 5/16-18 X 3 HXHD
9	33	11-004	NUT, 1/4-20 ZINC
2	32	11-005	NUT, 5/16-18 ZINC
10	31	11-006	NUT, 3/8-16 ZINC
2	30	11-021	NUT, 6-32 NYLOK
1	29	11-088	NUT, 7/16-20 THIN NYLOK ZPS
36	28	12-011	WASHER, FLAT #12 SAE
2	27	12-012	WASHER, FLAT 1/4 USS
20	26	12-013	WASHER, FLAT 3/8 USS
10	25	12-014	LKWSR, 3/8 ZINC
34	24	12-015	LKWSR, 1/4 ZINC
4	23	12-016	LKWSR, 5/16 ZINC
6	22	12-017	WASHER, FLAT 5/16 SAE ZINC
1	21	12-021	WASHER, FLAT, 7/16 ZINC
4	20	14-004	CLAMP,WIRE CUSHION 3/4 ID X 1/4 BOLT
1	19	61-1580	WMT, EXHAUST EXTENSION
1	18	61-825	WELDMENT, SILENCER
1	17	66-360	FITTING, 5/16 FUEL LINE MANIFOLD
1	16	69-438	ASSY, VAC INLET BRACKET
1	15	69-634	ASSY, TEMP CONTROL MODULE
1	14	69-934	ASSY, FRAME AND ENCLOSURES
1	13	69-936	ASSY, INSTRUMENT PANEL
1	12	69-937	ASSY, COOLING AND HEAT EXCHANGE
1	11	69-940	ASSY, ENGINE 31 HP KUBOTA
1	10	69-941	ASSY, PRESSURE PUMP
1	9	69-942	ASSY, VACUUM PUMP
1	8	69-961	ASSY, MOLDED BELT GUARD BLOWER 570A
1	7	69-962	ASSY, PRESSURE REGULATOR LATCH
1	6	69-965	ASSY, THERMAL WELL
1	5	69-966	ASSY, REGULATOR BRACKET
1	4	69-967	ASSY, PLT HEAT EXCHANGER
1	3	69-970	ASSY, QD BRACKET
1	2	69-974	ASSY, DIVERTER LOCKOUT
1	1	69-975	ASSY, MANIFOLD BLOCK & BYPASS
QTY	ITEM	PART NO.	DESCRIPTION

SECTION FIVE: PARTS LISTING AND REFERENCE  
**69-934, FRAME AND ENCLOSURES**



SECTION FIVE: PARTS LISTING AND REFERENCE  
**69-934, FRAME AND ENCLOSURES**

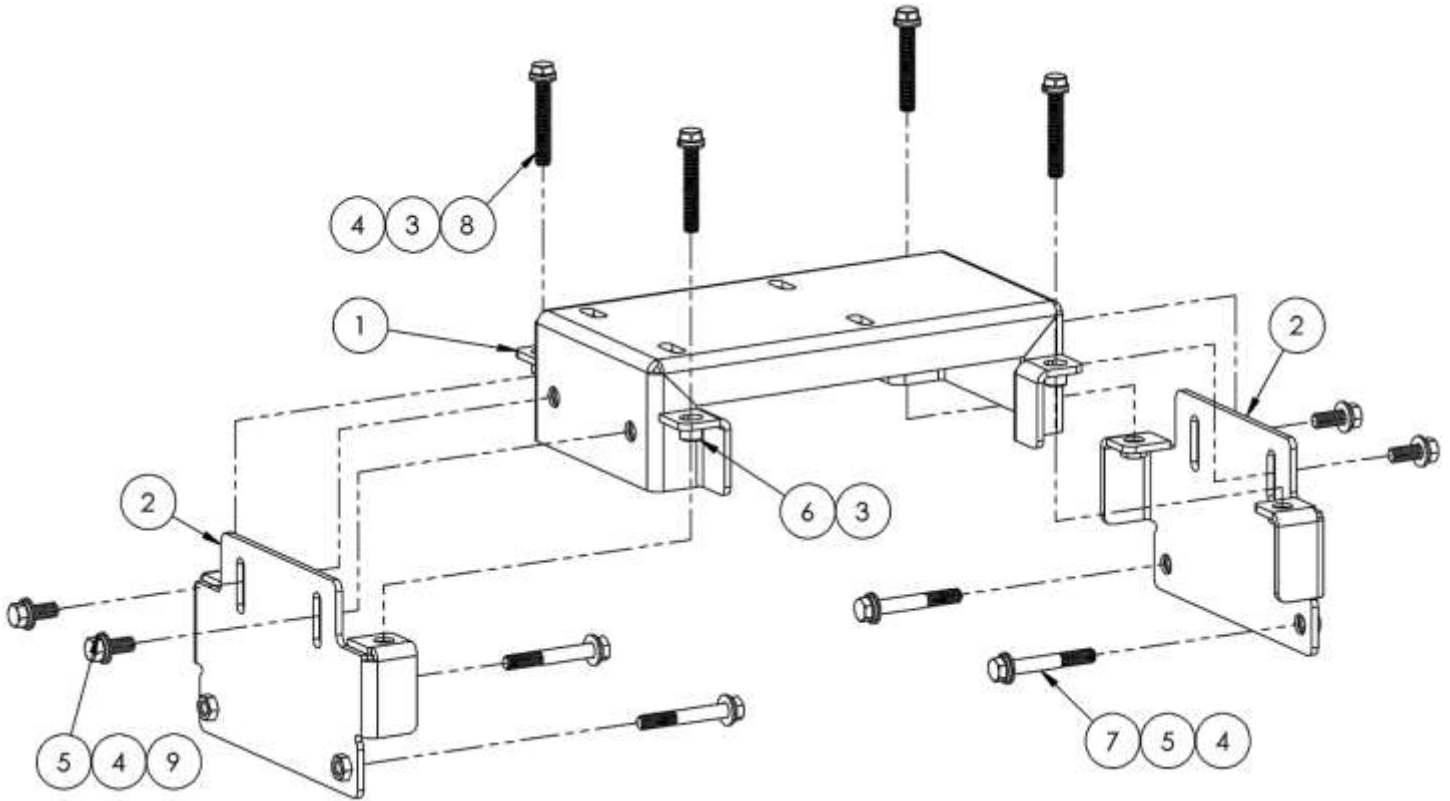




SECTION FIVE: PARTS LISTING AND REFERENCE  
**69-934, FRAME AND ENCLOSURES BOM TABLE**

2	41	10-004	SCREW, MACH 3/8-16 X 1-1/4 HEXHD
14	40	10-025	SCREW, MACH 1/4-20 X 3/4 HXHD GRD5
24	39	10-028	SCREW, MACH 1/4-20 X 2-3/4 HXHD
6	38	10-030	SCREW, MACH 3/8-16 X 3 HXHD
12	37	10-420	SCREW, MACH 1/4-20 X 5/8 BHSCS ZP
24	36	11-004	NUT, 1/4-20 ZINC
12	35	11-006	NUT, 3/8-16 ZINC
4	34	11-000	NUT, INSERT 1/4-20 PRESS CADMIUM
12	33	12-002	WASHER, FLAT 1/4 SS ANC
22	32	12-011	WASHER, FLAT #12 SAE
40	31	12-012	WASHER, FLAT 1/4 USS
20	30	12-013	WASHER, FLAT 3/8 USS
12	29	12-014	LKWSR, 3/8 ZINC
38	28	12-015	LKWSR, 1/4 ZINC
8	27	12-049	WASHER, 3/8 X 1-1/2 FENDER ZINC
3	26	14-003	CLAMP, WIRE CUSHION 1.00 ID X 1/4 BOLT
2	25	14-005	CLAMP, WIRE CUSHION 5/8 ID X 1/4 BOLT
4	24	14-085	RIVET, 5/32 X .312 HD .251-.375 GRIP SS
12	23	14-086	RIVET, 5/32 X .312 HD .062-.125 GRIP SS
4	22	40-034	LATCH, DRAW SS CONCEALED MOUNT
3	21	41-033	GROMMET, 1 ID X 1-3/4 OD
4	20	41-095	ISOLATOR, 1.5 OD X 1.5 TALL 50 DURO
2	19	41-122	GROMMET, 1.0 ID X 1.75 OD X 1/4 PANEL
1	18	51-115	THERMOFORM, UPPER BEZEL
1	17	51-119	THERMOFORM, LOWER BEZEL
1	16	58-1003	PLT, HEAT SHIELD RS
2	15	58-523	ANGLE, CONSOLE MTG RAIL RS
2	14	58-524	ANGLE, CONSOLE MTG RAIL LS
1	13	58-983	PNL, GRILLE 570A
1	12	58-987	PLT, TOP HOOD COVER
1	11	58-988	PNL, LEFT SIDE HOOD
1	10	58-989	PNL, RIGHT SIDE HOOD
1	9	61-1058	WELDMENT, WATER BOX CRADLE
1	8	61-1525	WELDMENT, FRAME 570A
1	7	61-1529	WELDMENT, TOP PANEL
1	6	61-1530	WELDMENT, REAR BRACE
1	5	61-1531	WELDMENT, FRONT SUPPORT
1	4	61-1586	WMT, SILENCER SUPPORT
2	3	69-584	ASSY, WATER BOX RESTRAINT
1	2	69-946	ASSY, WATER PUMP BRACKET
1	1	69-964	ASSY, LOWER FRONT PANEL
QTY	ITEM	PART NO.	DESCRIPTION

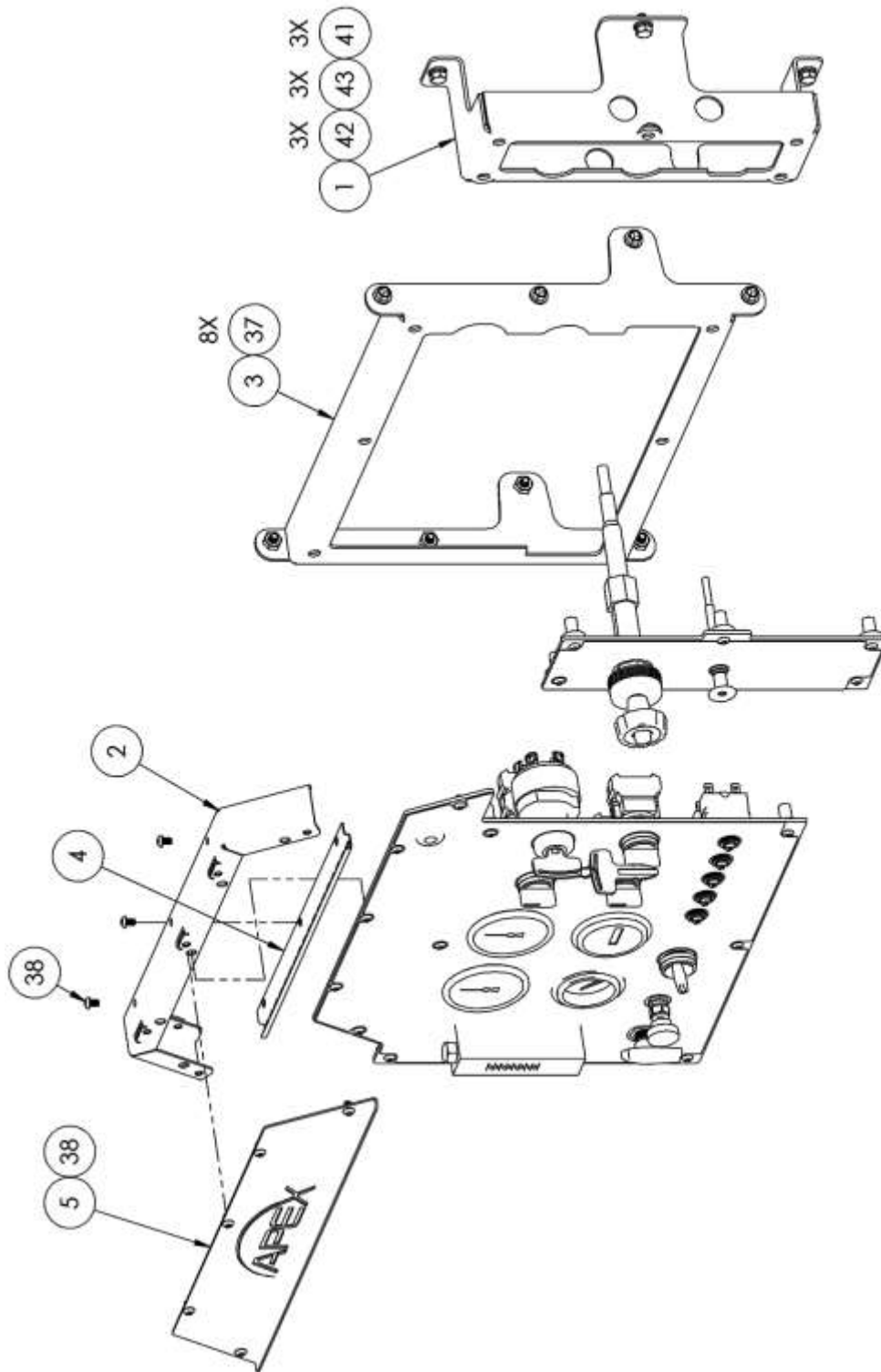
SECTION FIVE: PARTS LISTING AND REFERENCE  
**69-946, WATER PUMP BRACKET ASSEMBLY**



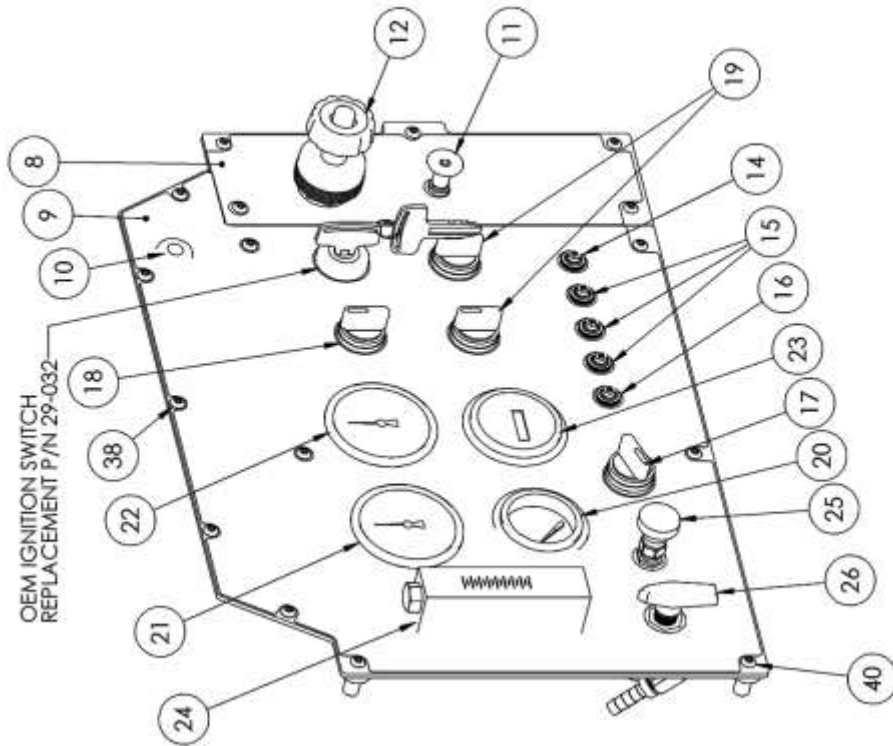
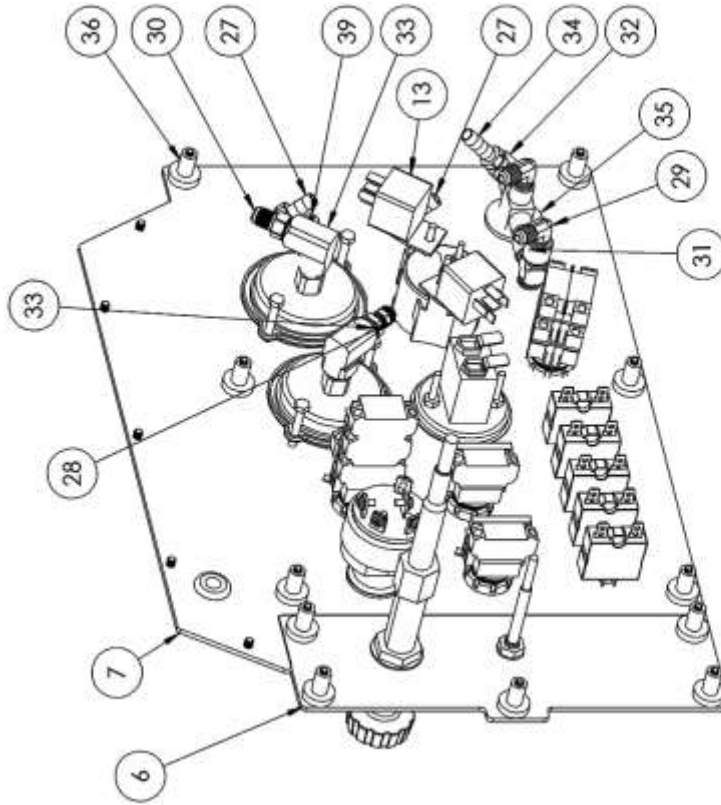
4	9	10-029	SCREW, MACH 3/8-16 X 1 HXHD
4	8	10-056	BOLT, TAP 3/8-16 X 2-1/2 GR 5
4	7	10-171	SCREW, MACH 3/8-16 X 2-3/4 HH G5
4	6	11-019	NUT, 3/8-16 NYLOK
8	5	12-013	WASHER, FLAT 3/8 USS
12	4	12-014	LKWSR, 3/8 ZINC
8	3	12-017	WASHER, FLAT 5/16 SAE ZINC
2	2	61-1565	WELDMENT, PRESS PUMP ADJUST BRKT
1	1	61-1566	WELDMENT, PRESS PUMP ADJUST BASE
QTY	ITEM	PART NO.	DESCRIPTION

SECTION FIVE: PARTS LISTING AND REFERENCE

69-936, INSTRUMENT PANEL ASSEMBLY 1 OF 2



SECTION FIVE: PARTS LISTING AND REFERENCE

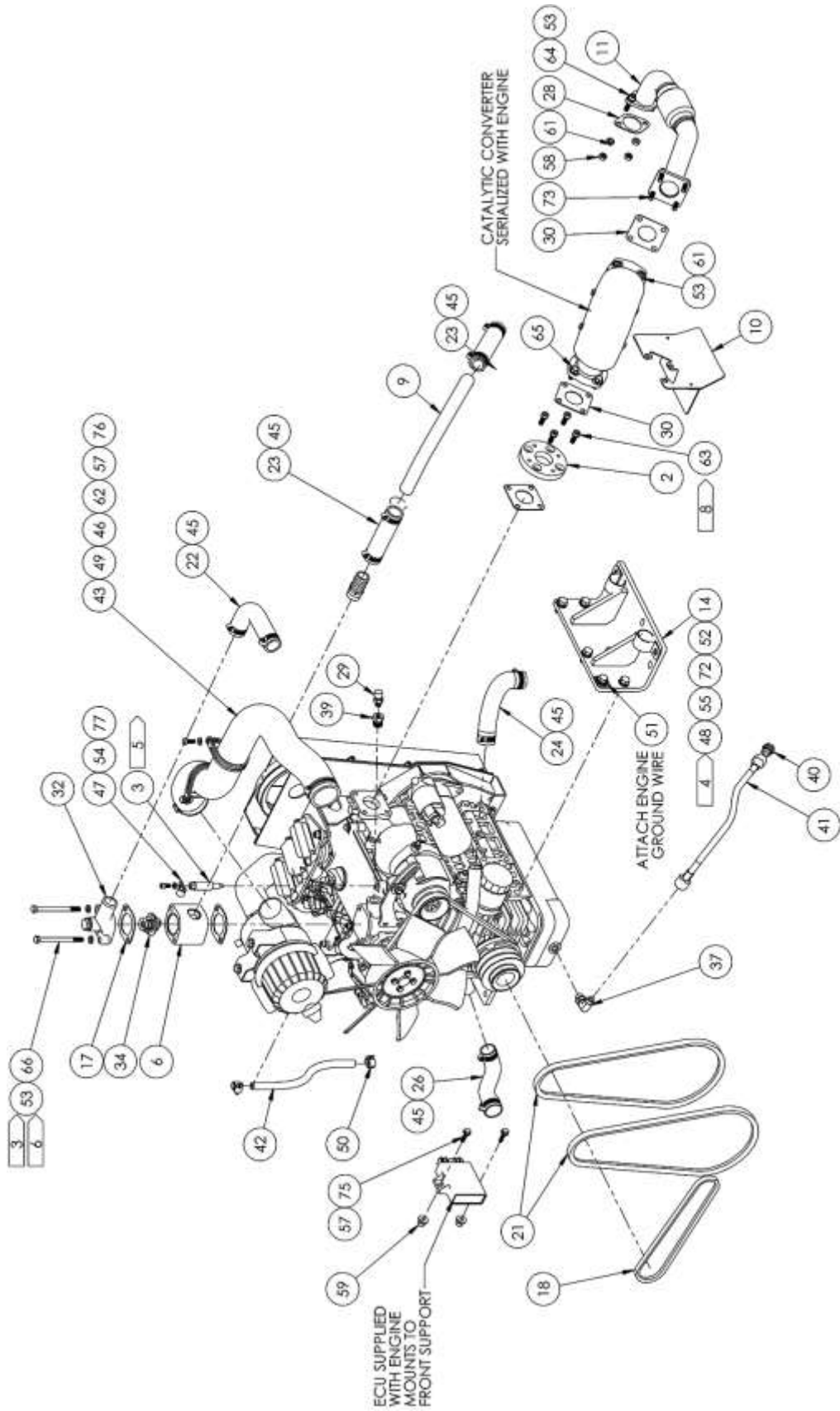


SECTION FIVE: PARTS LISTING AND REFERENCE  
**69-936, INSTRUMENT PANEL ASSEMBLY BOM TABLE**

3	43	12-015	LKWSR, 1/4 ZINC
3	42	12-011	WASHER, FLAT #12 SAE
3	41	10-006	SCREW, MACH 1/4-20 X 1/2 HEXHD
11	40	10-181	SCREW, MACH 10-32 X 1 BHSCS SS
2	39	10-275	SCREW, MACH 10-32 X 1/4 PHP ZP
13	38	10-419	SCREW, 10-32 X 5/16 BHSCS W-NYLON PATCH
8	37	10-426	BOLT, HEX SERRATED FLANGE 1/4-20 X 5/8 ZP
11	36	11-002	NUT, WELL G 10-32
1	35	12-018	WASHER, FLAT 1/2 USS
1	34	21-007	FTTG, BRB 1/8 P X 5/16 H BR
2	33	21-037	ELL, 1/4 IN. BRASS
1	32	21-038	ELL, STREET 1/8 IN BRASS
1	31	21-045	NIP, 1/8 IN HEX BRASS
1	30	21-050	CONN, 1/4 NPT X 1/4 JIC BRASS
2	29	21-054	ELL, 1-8P X 1/4 T BRASS
1	28	21-433	CONN, 1/4 P X 1/4 POLY
2	27	21-605	FTTG, BARB 1/8 P X 5/16 H 45 DEG BRASS
1	26	23-027	VALVE, 3-WAY BALL 1/8 FP SS
1	25	23-028	VLV, MET 1/8 FP (CHEM) RT ANG SS
1	24	26-003	FLOWMETER, 1/8 FP
1	23	26-033	HOURMETER, HOBBS CHROME BEZEL
1	22	26-044	GAUGE, VACUUM 2.5 IN 0-30 IN/HG
1	21	26-045	GAUGE, PRESSURE 2.5 IN 0-1500 PSI
1	20	26-049	GAUGE, WTR TEMP CHROME 280 DEG.
2	19	29-016	SWITCH, ROTARY NON-ILLUMINATED
1	18	29-062	SWITCH, ROTARY 3 POS SR FROM LEFT 3 NO 1 NC
1	17	29-072	SWITCH, ROTARY, 4POS 2NO 2NC
1	16	30-007	BREAKER, 30 AMP
3	15	30-008	BREAKER, 20 AMP
1	14	30-134	BREAKER, 10 AMP
2	13	34-010	RELAY, ENG.SHTDWN 12V 40/60AMP
1	12	40-031	CABLE, THROTTLE
1	11	40-032	CABLE, CHOKE
1	10	41-070	GROMMET, 7/8" OD X 3/8" ID X 1/8" PANEL
1	9	44-310	DECAL, INSTRUMENT PANEL
1	8	44-318	DECAL, THROTTLE & CHOKE PANEL
1	7	58-990	PLT, INSTRUMENT PANEL
1	6	58-993	PLT, CONTROL PANEL
1	5	58-996	PLT, BEZEL NAMEPLATE APEX
1	4	61-1499	WELDMENT, LED STRIP MOUNT
1	3	61-1532	WMT, INSTRUMENT PANEL SUPPORT
1	2	61-1569	WELDMENT, BEZEL LIGHT & NP BRKT
1	1	61-1575	WMT, CONTROL PANEL SUPPORT
QTY	ITEM	PART NO.	DESCRIPTION

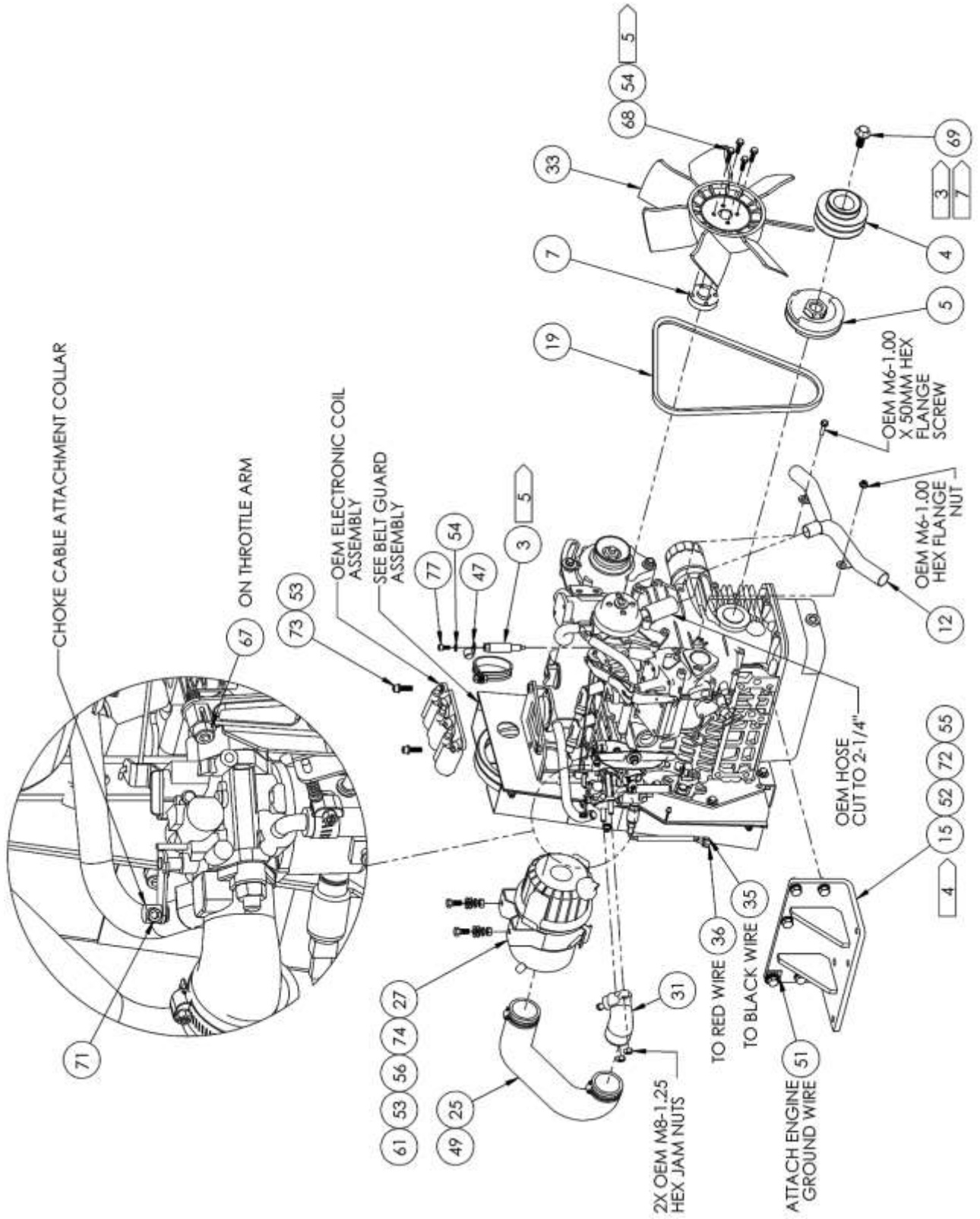
SECTION FIVE: PARTS LISTING AND REFERENCE

69-940, ENGINE ASSEMBLY 1 OF 3

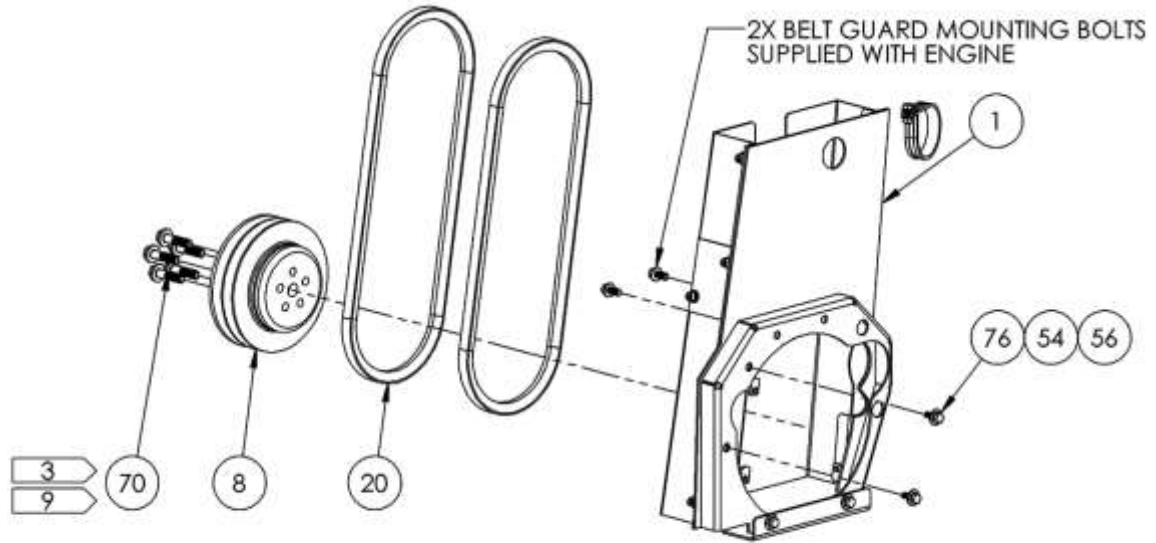


SECTION FIVE: PARTS LISTING AND REFERENCE

69-940, ENGINE ASSEMBLY 2 OF 3



SECTION FIVE: PARTS LISTING AND REFERENCE  
69-940, ENGINE ASSEMBLY 3 OF 3



ENGINE PULLEY AND BELTS WITH BELT GUARD ASSEMBLY

**NOT SHOWN IN DRAWING VIEWS:**

34-016, THERMOSTAT, KUBOTA 160 DEG

36-045, SWITCH, OIL PRESSURE KUBOTA

36-173, FILTER, OIL KUBOTA WG 972



SECTION FIVE: PARTS LISTING AND REFERENCE

69-940, ENGINE ASSEMBLY BOM TABLE AND NOTES

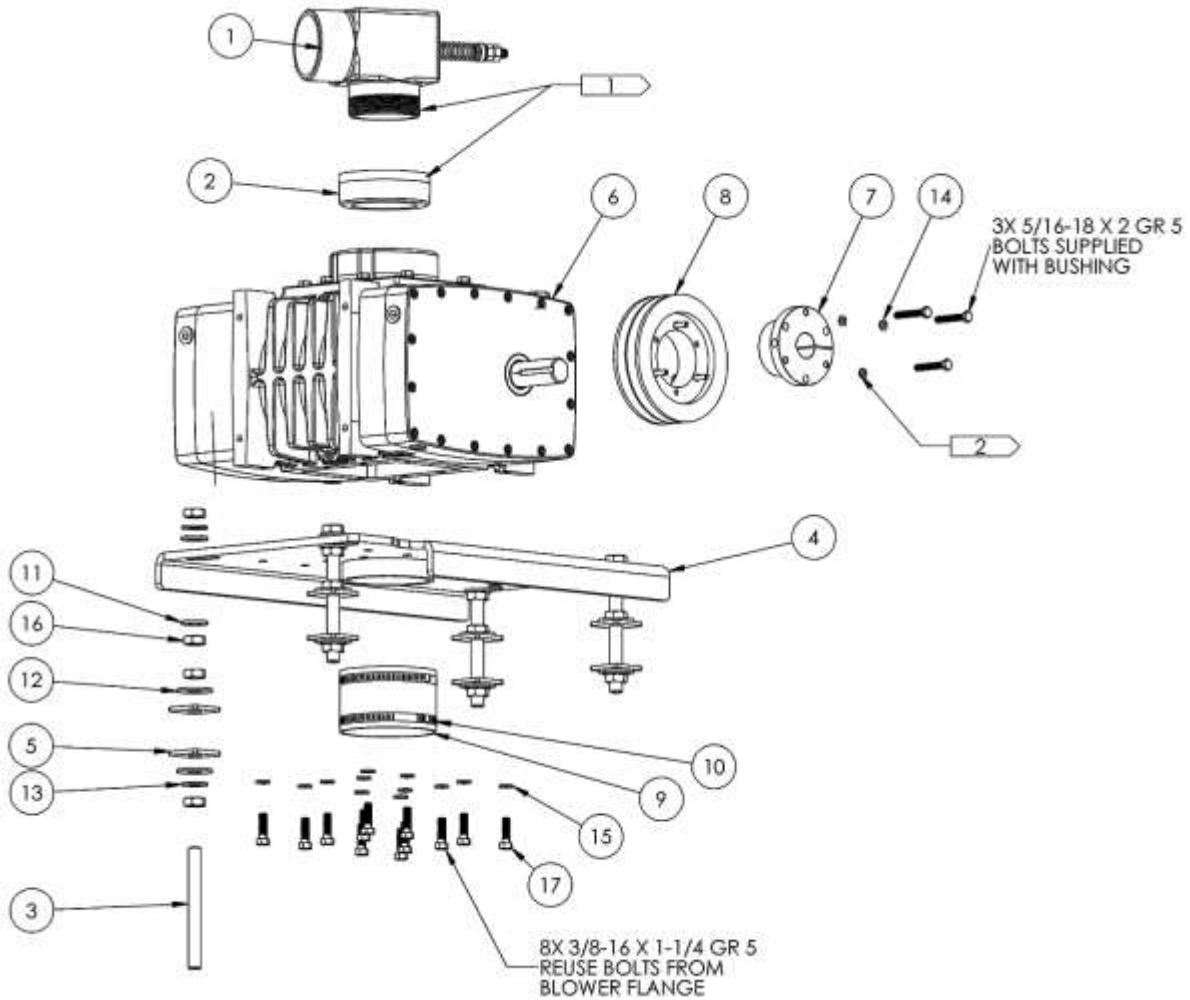
QTY	ITEM	PART NO.	DESCRIPTION
2	50	14-007	CLAMP, HOSE #4
4	49	14-010	CLAMP, HOSE #32
2	47	14-021	CLAMP, 1.00 ID VINYL COVERED
2	48	14-029	CLAMP, 1/2 ID VINYL COVERED
2	46	14-058	CLAMP, WIRE CUSHION 2-1/4 X 1/4 BOLT
10	45	14-059	CLAMP, HOSE #16
25 IN	44	14-028	SLV, 1 IN BLACK NYLON 100 FT
1	43	16-089	HOSE, 2.00 ID X .03W FLEX HI-FLOW DUST BLACK HELIX
1.0 FT	42	16-103	HOSE, FUEL 5/16 30R9 FUEL INJECTION
1	41	18-089	HOSE, 3/8 FJIC X 1/2 FJIC SWIVEL
1	40	21-027	PLUG, 1/2 T BR
1	39	21-200	BUSHING, 3-8 NPT X 1-8 FNPT BRASS
1	38	21-381	FTG, 3/4P X 1H BRASS
1	37	21-602	FTG, 3/8 MUC X M12X1.25 90 DEG
1	36	31-041	TERM, INS PSH ON 1.6016 GA. BLUE MALE
1	35	31-042	TERM, INS PSH ON 1.4-16 GA. BLUE FEMALE
1	34	34-014	THERMOSTAT, KUBOTA 195 DEG
1	33	35-052	FAN, 12.2 DIA. 7 BLADE KUBOTA
1	31	36-188	AIR INTAKE, CARB KUBOTA
2	30	36-205	GASKET, ENGINE EXHAUST KUBOTA 31 HP
1	29	36-230	SWITCH, 230 DEG KUBOTA TEMP
1	28	36-349	GASKET, EXHAUST B & S #809872
1	27	36-397	ASSY, KUBOTA 31 HP AIR CLEANER
1	26	36-399	HOSE, LOWER RADIATOR KUBOTA 31 HP
1	25	36-400	HOSE, CARB TO AIR CLEANER
1	24	36-401-01	HOSE, RADIATOR 1.00 ID X 90 DEG
2	23	36-401-02	HOSE, RADIATOR 1.00 ID X 5.00L
1	22	36-401-04	HOSE, RADIATOR 1.00 ID X 90 DEG
2	21	37-069	BELT, A X36 GATES EPDM
2	20	37-070	BELT, 5VX453 GATES EPDM
1	19	37-071	BELT, XL7350 EPDM
1	18	37-090	BELT, 3L250
1	17	41-026	GASKET, THERMOSTAT KUBOTA
1	16	45-037	ENGINE, KUBOTA 31 HP CATALYTIC
1	15	61-1563	WELDMENT, ENGINE MOUNT LS
1	14	61-1564	WELDMENT, ENGINE MOUNT RS
1	13	61-1568	WELDMENT, COIL MOUNTING BRACKET
1	12	61-588	WELDMENT, CROSSOVER INLET
1	11	61-833	WELDMENT, EXHAUST TUBE
1	10	61-952	WELDMENT, STARTER HEAT SHIELD
1	9	63-150	TUBE, THERMOSTAT TO HEAT EXCHANGER
1	8	66-268	PULLEY, 6.3 OD 5V 2G KUBOTA ENGINE
1	7	66-270	SPACER, BREEZA FAN
1	6	66-271	HOUSING, DUAL THERMOSTAT
1	5	66-272	PULLEY, FRONT ENGINE FAN DRIVE
1	4	66-273	PULLEY, ENGINE FRONT
2	3	66-279	STANDOFF, VALVE COVER KUBOTA 31HP
1	2	66-380	ADAPTER, CATALYTIC CONVERTER
1	1	69-242	ASSY, BELT GUARD

QTY	ITEM	PART NO.	DESCRIPTION
2	77	10-007	SCREW, MACH 1/4-20 X 1/2 SOCHD SS
4	76	10-025	SCREW, MACH 1/4-20 X 3/4 HXHD GRD5
2	75	10-026	SCREW, MACH 1/4-20 X 1 HXHD
2	74	10-034	BOLT, 5/16-18 X 3/4 HH ZP
4	73	10-074	SCREW, MACH 5/16-18 X 1 SOCHD SS
12	72	10-086	SCREW, 10MM-1.25 X 25 Z 8.8 HCS
1	71	10-091	SCREW, 8-32 X 1/4 3HCS
5	70	10-162	BOLT, 10MM-1.25 X 40MM 10.9 HXFB BLK
1	69	10-164	SCREW, M12-1.50 X 30MM 10.9 HXFB BLK
4	68	10-247	SCREW, M8-1.0 X 35MM HXHD G8.8 ZP
1	67	10-258	SCREW, MACH M6-1.0 X 10MM SOCHD BLK 12.9
2	66	10-266	SCREW, MACH M8-1.25 X 100MM HEXHD GR 8
4	65	10-299	BOLT, HEX FLANGE 5/16-18 X 3/4 ZP
20	64	10-388	SCREW, MACH 5/16-18 X 1-1/4 SOCHD BLK
4	63	10-000	SCREW, M8-1.25 X 20 SOCHD
2	62	11-004	NUT, 1/4-20 ZINC
8	61	11-005	NUT, 5/16-18 ZINC
2	60	11-036	NUT, M8 X 1.25 HEX JAM
2	59	11-072	NUT, WELL 1/4-20 X .187 RUBBER
2	58	11-090	NUT, 5/16-18 TOPLOCK GRC Z
6	57	12-011	WASHER, FLAT #12 SAE
6	56	12-012	WASHER, FLAT 1/4 USS
12	55	12-013	WASHER, FLAT 3/8 USS
8	54	12-015	LKWSR, 1/4 ZINC
10	53	12-016	LKWSR, 5/16 ZINC
12	52	12-024	LKWSR, 10MM ZINC
2	51	12-070	WASHER, LOCK 3/8 IN/EXT TOOTH ZPS

NOTES:

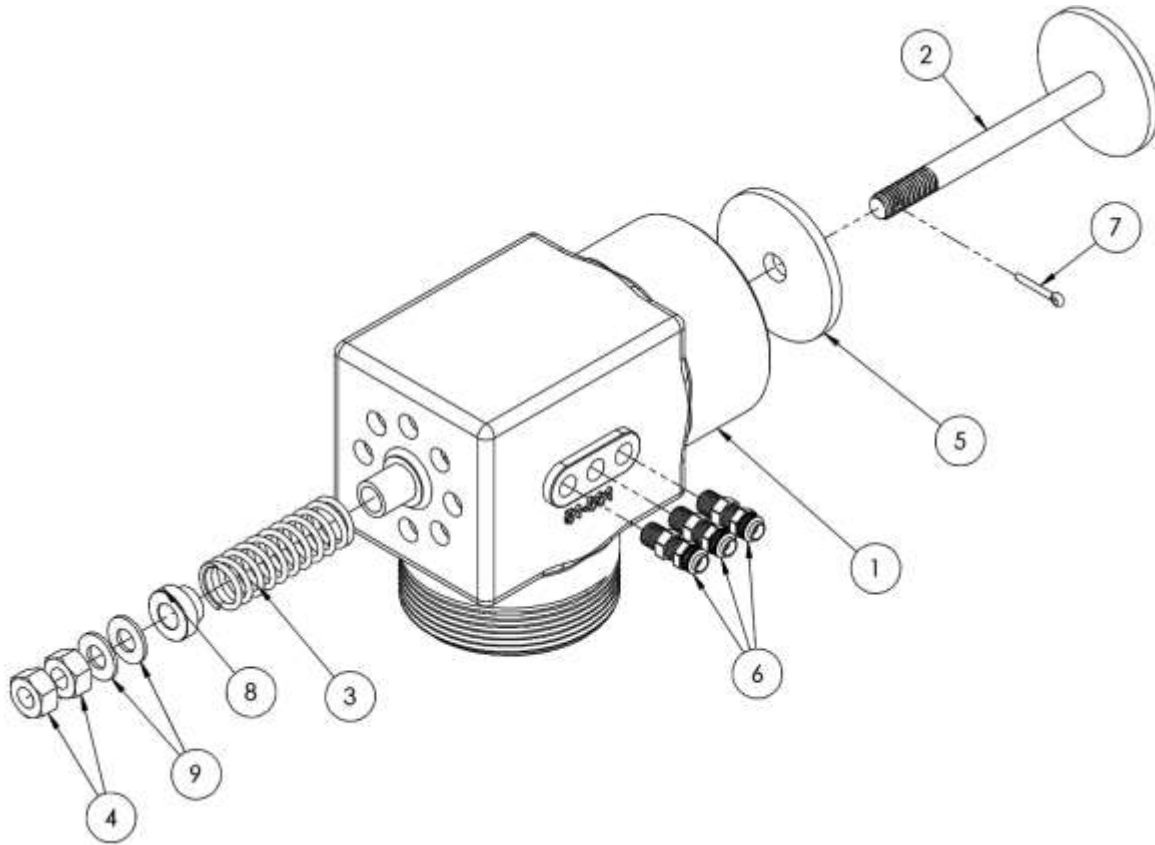
1. USE THREAD SEALANT COMPOUND ON ALL NPT THREADS
2. USE LOCTITE THREAD LOCKING COMPOUND ON ALL ENGINE THREADED MECHANICAL FASTENERS
3. BLUE LOCTITE ON THREADS INDICATED
4. TORQUE VALUE: 33 - 35 FT-LBS
5. TORQUE VALUE: 7 - 7.6 FT-LBS
6. TORQUE VALUE: 14 - 15 FT-LBS
7. TORQUE VALUE: 69 (66.4 - 74.4) FT-LBS
8. TORQUE VALUE: 30 (29 - 31.4) FT-LBS
9. TORQUE VALUE: 40 (37.6 - 42.4) FT-LBS

SECTION FIVE: PARTS LISTING AND REFERENCE  
**69-942, VACUUM PUMP ASSEMBLY**



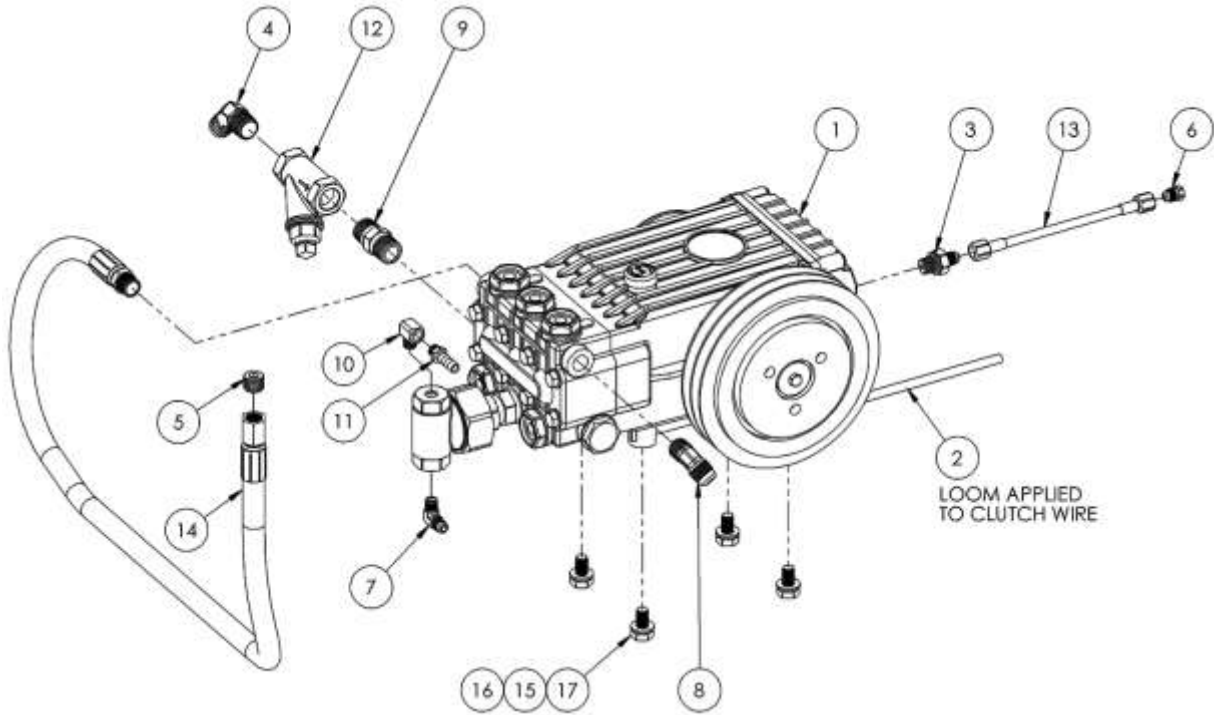
4	17	10-004	SCREW, MACH 3/8-16 X 1-1/4 HEXHD
16	16	11-062	NUT, 5/8-18 JAM
4	15	12-014	LKWSR, 3/8 ZINC
3	14	12-015	LKWSR, 1/4 ZINC
8	13	12-039	WASHER, LOCK, 5/8
8	12	12-040	WASHER, FLAT 5/8 USS
8	11	12-110	WASHER, FLAT 5/8 SAE
2	10	14-008	CLAMP, HOSE #72
1	9	16-110	HOSE, 4.5 ID X 3 FT SILICONE 550F
1	8	38-027	PULLEY, 5V630SK
1	7	38-032	HUB, SK 1.25
1	6	46-058	VACUUM PUMP, HELI FLOW HF408 HORZ RH CW
8	5	58-1005	PLT, BLOWER MOUNT
1	4	61-817	WELDMENT, BLOWER MTG PLATE
4	3	66-227	THREADED ROD, .625-18 UNF 2A
1	2	66-249	ADAPTER, 4 IN NPT TO 3 IN NPT
1	1	69-049	ASSEMBLY, VACUUM BRAKE
QTY	ITEM	PART NO.	DESCRIPTION

SECTION FIVE: PARTS LISTING AND REFERENCE  
**69-049, VACUUM RELIEF VALVE ASSEMBLY**



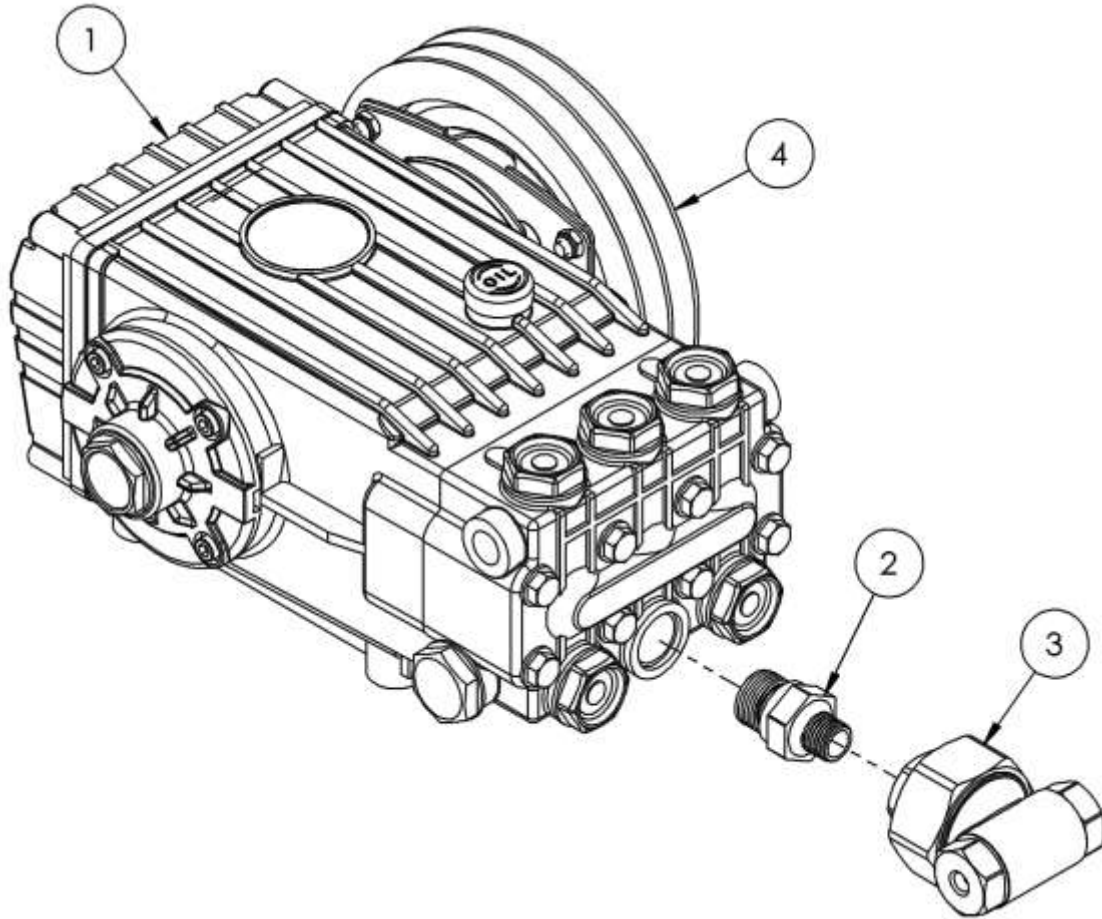
2	9	12-013	WASHER, FLAT 3/8 SAE
1	8	66-501	BUSHING, SMALL SPRING RETAINER
1	7	14-032	PIN, COTTER 7/64 X 3/4 SS
3	6	21-028	CONN, 1/8 P X 1/4 POLY
1	5	41-009	DIAPHRAGM, VAC RELIEF VLV 4L, 5M
2	4	11-012	NUT, 7/16-14 ZP
1	3	15-002	SPRING, VAC RELIEF VALVE
1	2	61-1138	WELDMENT, VAC RELIEF STEM
1	1	66-001	VACUUM BRAKE, MACHINED 4L
QTY	ITEM	PART NO.	DESCRIPTION

SECTION FIVE: PARTS LISTING AND REFERENCE  
**69-941, PRESSURE PUMP ASSEMBLY**



5	17	10-241	SCREW, MACH M10-1.5 X 20MM HXHD Z
5	16	12-024	LKWSR, 10MM ZINC
5	15	12-025	WASHER, FLAT M10
1	14	18-199	HOSE, PULSE 3/8 S 36 IN
1	13	18-215-19	HOSE ASSY, 3/16 ID X 04 FJIC X 04 FJIC X 7.0 L W / SS & CVR
1	12	20-056	STRAINER, 1/2 WYE BRASS
1	11	21-007	FTG, BRB 1/8 P X 5/16 H BR
1	10	21-038	ELL, STREET 1/8 IN BRASS
1	9	21-047	NIP, 1/2 IN HEX BRASS
1	8	21-059	ELL, 3/8 NPT X 1/2 JIC 45 DEG BRASS
1	7	21-066	ELL, 1/8 NPT X 1/4 JIC SS
1	6	21-096	PLUG, 1/4 JIC BRASS
1	5	21-146	PLUG, 3/8 NPT BRASS
1	4	21-431	ELL, 1/2P X 3/4H 45 DEG BRASS
1	3	21-435	FTG, 1/4 BSPP X 1/4 JIC STEEL
10 IN	2	32-025	LOOM, HI HEAT .250 DIA. BLACK
1	1	68-180	ASSY, PRESSURE PUMP
QTY	ITEM	PART NO.	DESCRIPTION

SECTION FIVE: PARTS LISTING AND REFERENCE  
**68-180, PRESSURE PUMP BREAKDOWN**



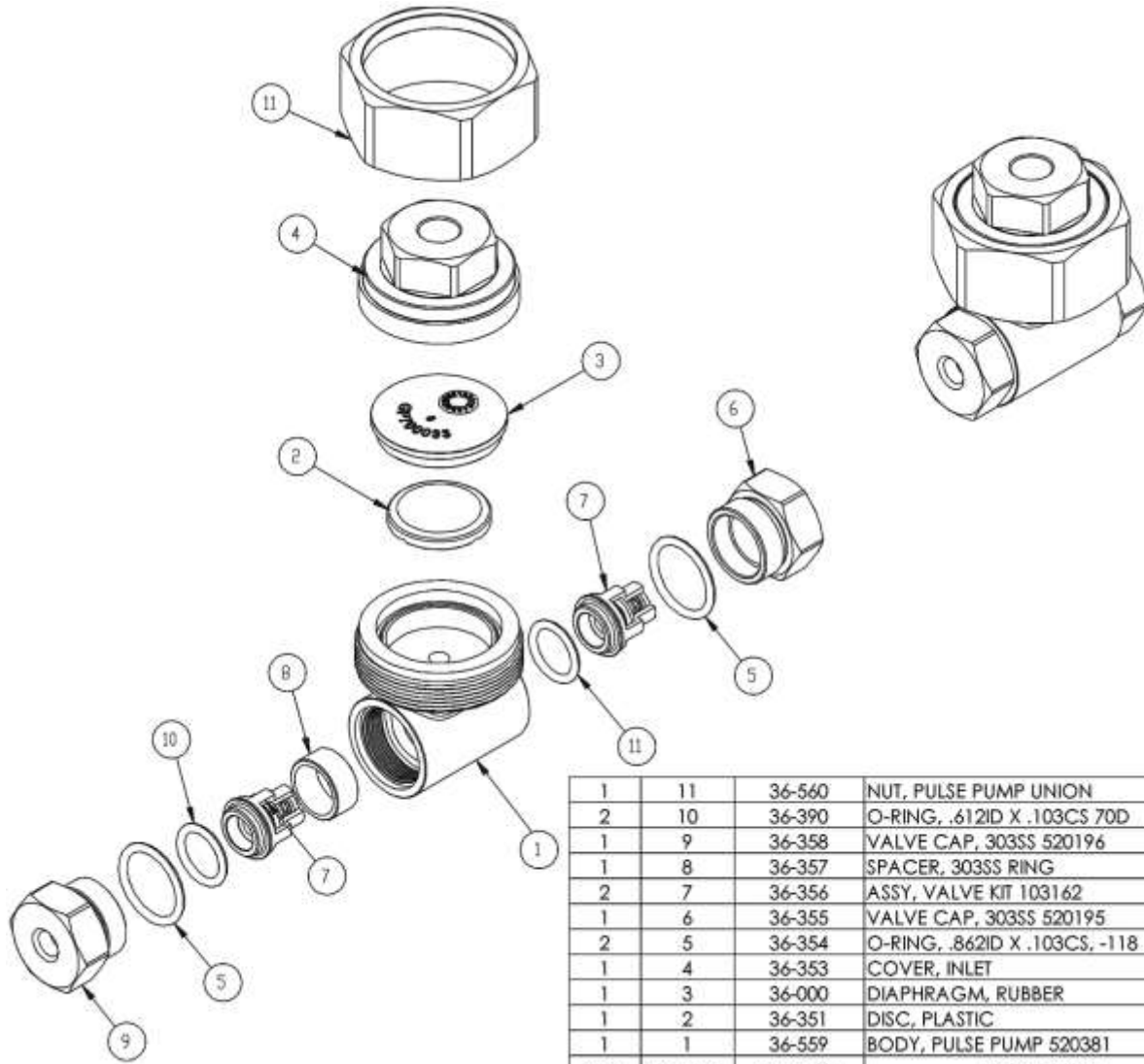
1	4	35-011	CLUTCH, 100687 ZR
1	3	46-056	PUMP, CHEMICAL GENERAL 100906
1	2	36-447	ADAPTER, PULSE PUMP 47 SERIES
1	1	46-068	PUMP, WATER GENERAL
QTY	ITEM	PART NO.	DESCRIPTION

**AVAILABLE FOR SERVICE:**

36-463, SEAL KIT, HTS PUMP SERIES (20MM PLUNGER SEAL REPLACEMENT KIT)

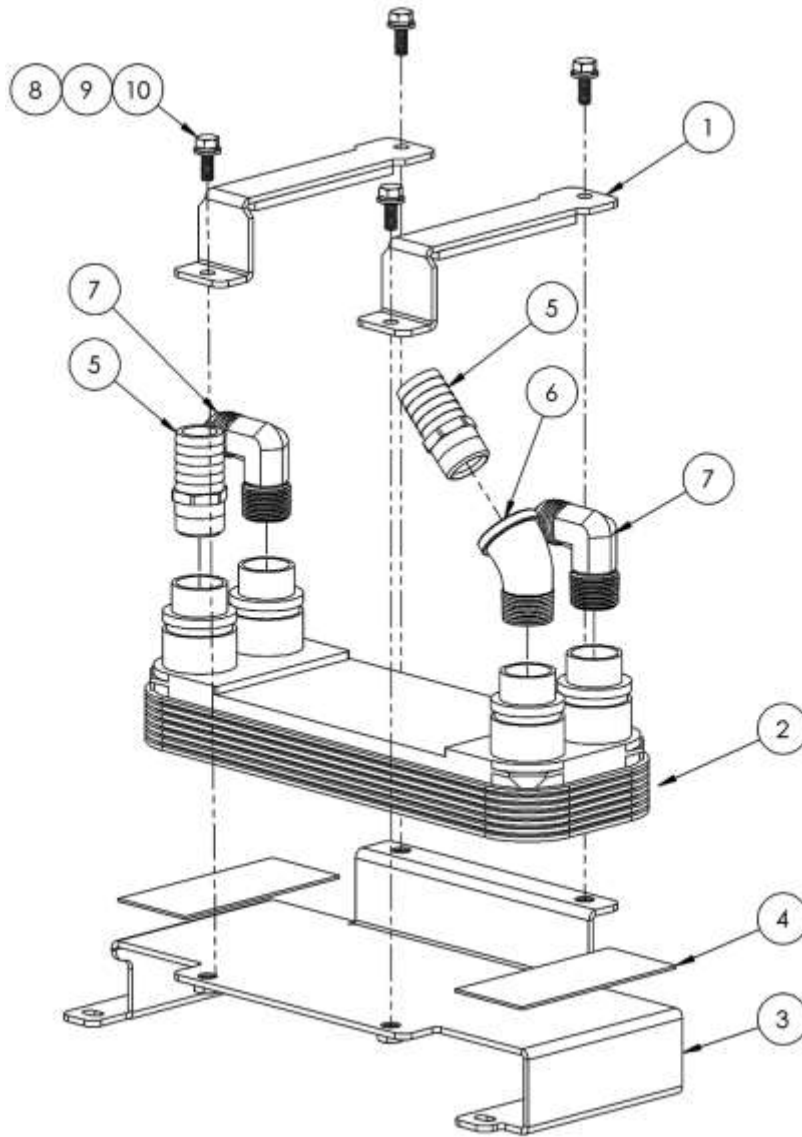
36-467, VALVE KIT, HTS PUMP SERIES (HIGH TEMPERATURE VALVE REPLACEMENT KIT)

SECTION FIVE: PARTS LISTING AND REFERENCE  
**46-056, PUMP, CHEMICAL GENERAL 100906**



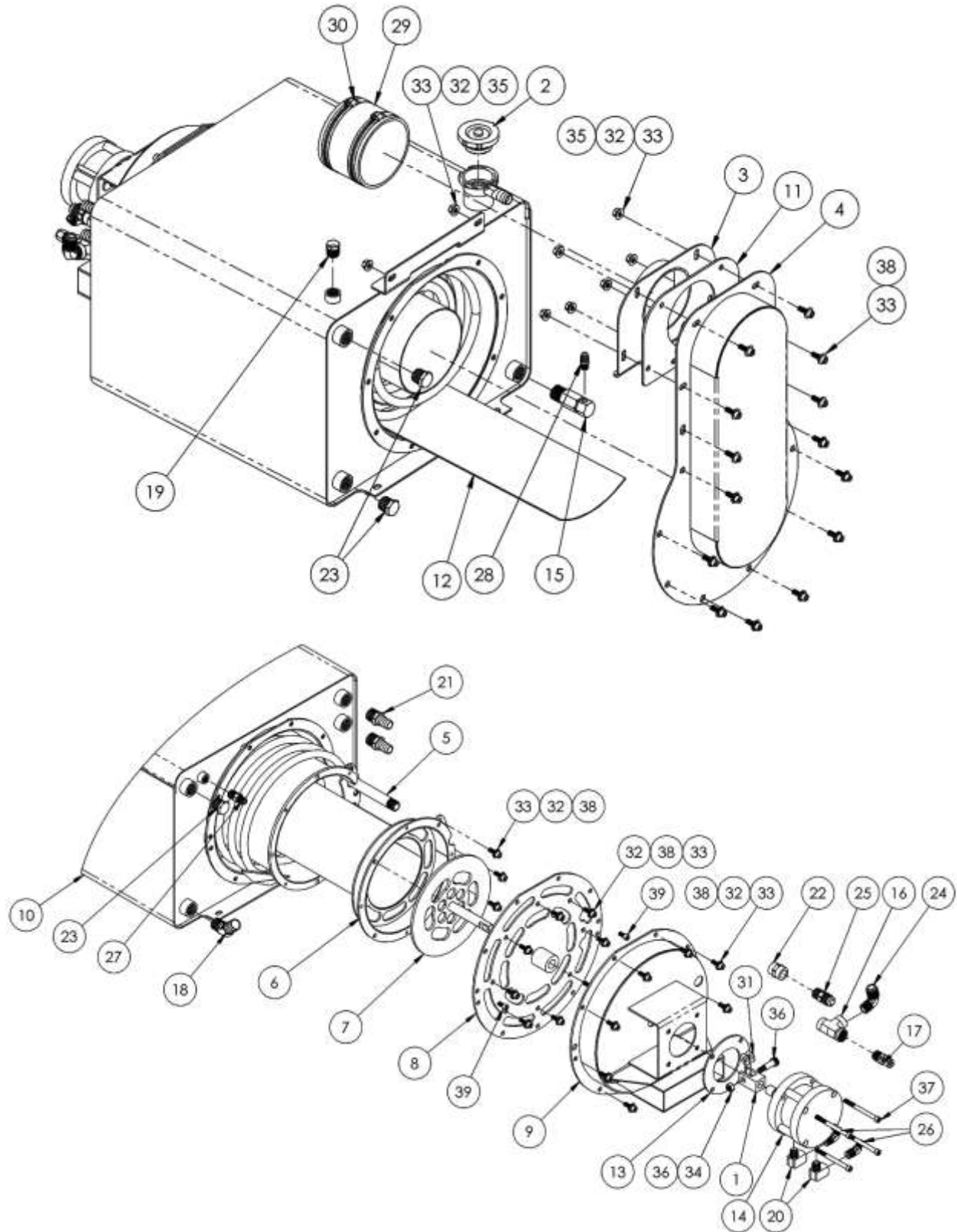
1	11	36-560	NUT, PULSE PUMP UNION
2	10	36-390	O-RING, .612ID X .103CS 70D
1	9	36-358	VALVE CAP, 303SS 520196
1	8	36-357	SPACER, 303SS RING
2	7	36-356	ASSY, VALVE KIT 103162
1	6	36-355	VALVE CAP, 303SS 520195
2	5	36-354	O-RING, .862ID X .103CS, -118
1	4	36-353	COVER, INLET
1	3	36-000	DIAPHRAGM, RUBBER
1	2	36-351	DISC, PLASTIC
1	1	36-559	BODY, PULSE PUMP 520381
QTY	ITEM NO.	PART NO.	DESCRIPTION

SECTION FIVE: PARTS LISTING AND REFERENCE  
**69-967, COOLANT HEAT EXCHANGER**



4	10	10-025	SCREW, MACH 1/4-20 X 3/4 HXHD GRD5
4	9	12-011	WASHER, FLAT #12 SAE
4	8	12-015	LKWSR, 1/4 ZINC
2	7	21-074	ELL, 3/4 P X 1/2 T BRASS
1	6	21-078	ELL, STREET PIPE 3/4 45 DEG
2	5	21-381	FTTG, 3/4P X 1H BRASS
2	4	41-212	GASKET, HEAT EXCHANGER BRKT
1	3	61-1421	WELDMENT, HEAT EXCH BASE
1	2	63-244	HEAT EXCHANGER, PLATE
2	1	69-968	ASSY, PLT HEAT EXCH CLAMP
QTY	ITEM	PART NO.	DESCRIPTION

SECTION FIVE: PARTS LISTING AND REFERENCE  
69-965, THERMAL WELL ASSEMBLY

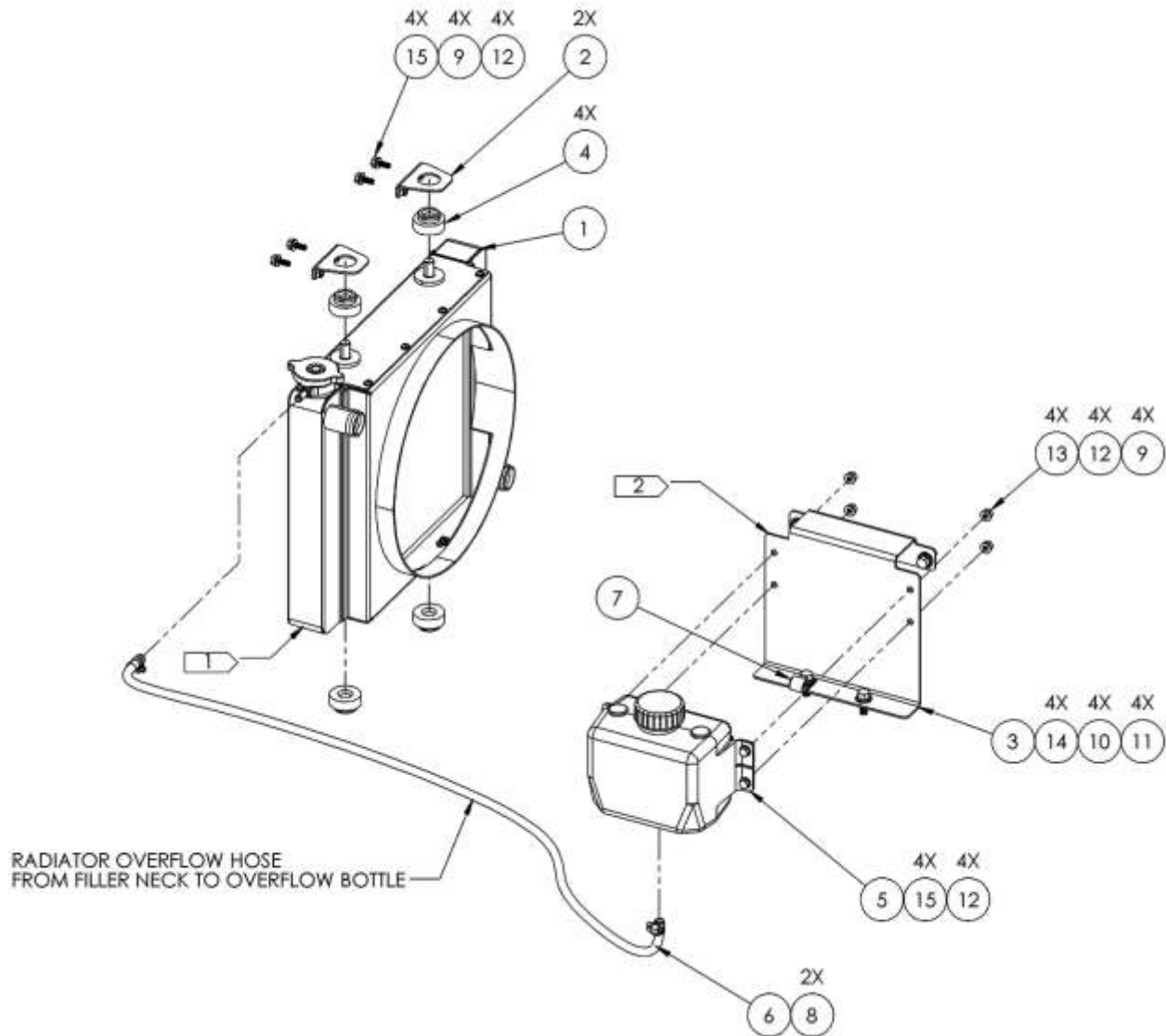




**SECTION FIVE: PARTS LISTING AND REFERENCE**  
**69-965, THERMAL WELL ASSEMBLY BOM TABLE**

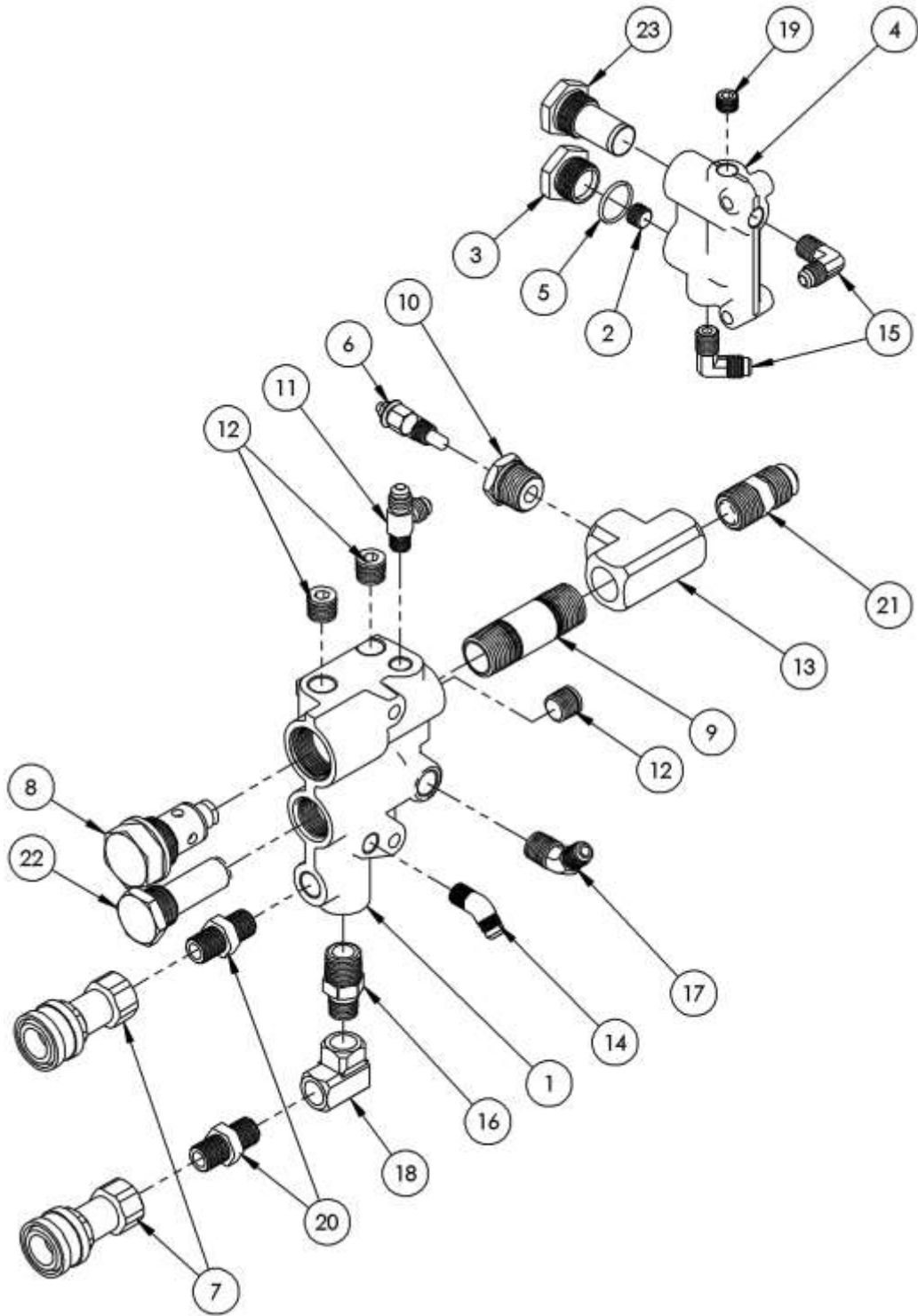
2	39	10-007	SCREW, MACH 1/4-20 X 1/2 SOCHD SS
34	38	10-021	SCREW, MACH 1/4-20 X 3/4 SOCHD SS
4	37	10-143	BOLT, 1/4-20 X 3 SHCS ZP
1	36	10-234	BOLT, 3/8 X 7/8 SHOULDER 5/16-18 THD
8	35	11-001	NUT, 1/4-20 SS
1	34	11-090	NUT, 5/16-18 TOPLOCK GRC Z
42	33	12-002	WASHER, FLAT 1/4 SS ANC
36	32	12-003	LKWSR, 1/4 IN SS
2	31	12-044	WASHER, FLAT, .38 X .812 X .03 PTFE (95630A245)
2	30	14-050	CLAMP, HOSE 4 1/2 TO 2 1/2 HD SS
1	29	16-109	HOSE, 4.0 IN ID X 3FT SILICONE 550F
1	28	21-001	CONN, 1/8 P X 1/4 T BR
1	27	21-050	CONN, 1/4 NPT X 1/4 JIC BRASS
2	26	21-051	ELL, 1/4P X 1/4T 45 DEG BRASS
1	25	21-057	CONN, 3/8 NPT X 1/2 JIC BRASS
1	24	21-061	ELL, 3/8 P X 1/2 T BRASS
3	23	21-065	PLUG, 1/2 NTP SOLID BRASS HXHD
1	22	21-073	COUPLING, 3/8 NPT BRASS
2	21	21-109	FTTG, 1/2 NPT X 5/8 BARB BRASS
2	20	21-125	ELL, STREET 1/4 P X 1-3/16L
1	19	21-361	PLUG, 3/8 NPT X HEX HEAD BRASS
1	18	21-431	ELL, 1/2P X 3/4H 45 DEG BRASS
1	17	21-500	FTTG, 3/8 NPT X 1/4 COMPRESSION SS
1	16	21-501	TEE, 3/8 NPT HI PRESSURE BRASS
1	15	23-033	VALVE, 165 DEG THERMAL CAT 7145
1	14	23-067	CYLINDER, AIR, BIMBA FO-701.5-CMTV
1	13	41-069	GASKET, DIVERTER CYLINDER
1	12	41-092	GASKET, 5-13/16 X 17 X .062 SILICONE SHT W/PSA
1	11	41-141	GASKET, INLET ADAPTER
1	10	61-1048	WELDMENT, WATER BOX
1	9	61-1050	WELDMENT, DIVERTER COVER
1	8	61-1051	WELDMENT, DIVERTER HOUSING PLATE
1	7	61-530	WELDMENT, DIVERTER PLATE
1	6	61-531	WELDMENT, DIVERTER CHAMBER
1	5	61-532	WELDMENT, FINNED TUBE COIL
1	4	61-827	WELDMENT, INLET ADAPTER
1	3	61-830	WELDMENT, INLET ADAPTER TUBE
1	2	63-182	CAP, RADIATOR 23LB
1	1	66-211	.875 SQ CLEVIS WITH 5E-11 THREAD
QTY	ITEM	PART NO.	DESCRIPTION

SECTION FIVE: PARTS LISTING AND REFERENCE  
**69-937, RADIATOR AND OVERFLOW BOTTLE ASSEMBLIES**



8	15	10-025	SCREW, MACH 1/4-20 X 3/4 HXHD GRD5
4	14	10-029	SCREW, MACH 3/8-16 X 1 HXHD
4	13	11-001	NUT, 1/4-20 SS
12	12	12-011	WASHER, FLAT #12 SAE
4	11	12-013	WASHER, FLAT 3/8 USS
4	10	12-014	LKWSR, 3/8 ZINC
8	9	12-015	LKWSR, 1/4 ZINC
2	8	14-007	CLAMP, HOSE #4
1	7	14-121	CLAMP, 1/2 VINYL COVERED 3/8 BOLT
4 FT	6	16-129	HOSE, 5/16 VACUUM
1	5	36-595	BOTTLE, COOLANT OVERFLOW
4	4	41-090	ISOLATER, KUBOTA RADIATOR MOUNT
1	3	58-1006	PNL, COOLANT OVERFLOW BOTTLE BRKT
2	2	61-1526	WMT, UPPER RADIATOR MOUNT
1	1	63-256	RADIATOR, APEX 570
QTY	ITEM	PART NO.	DESCRIPTION

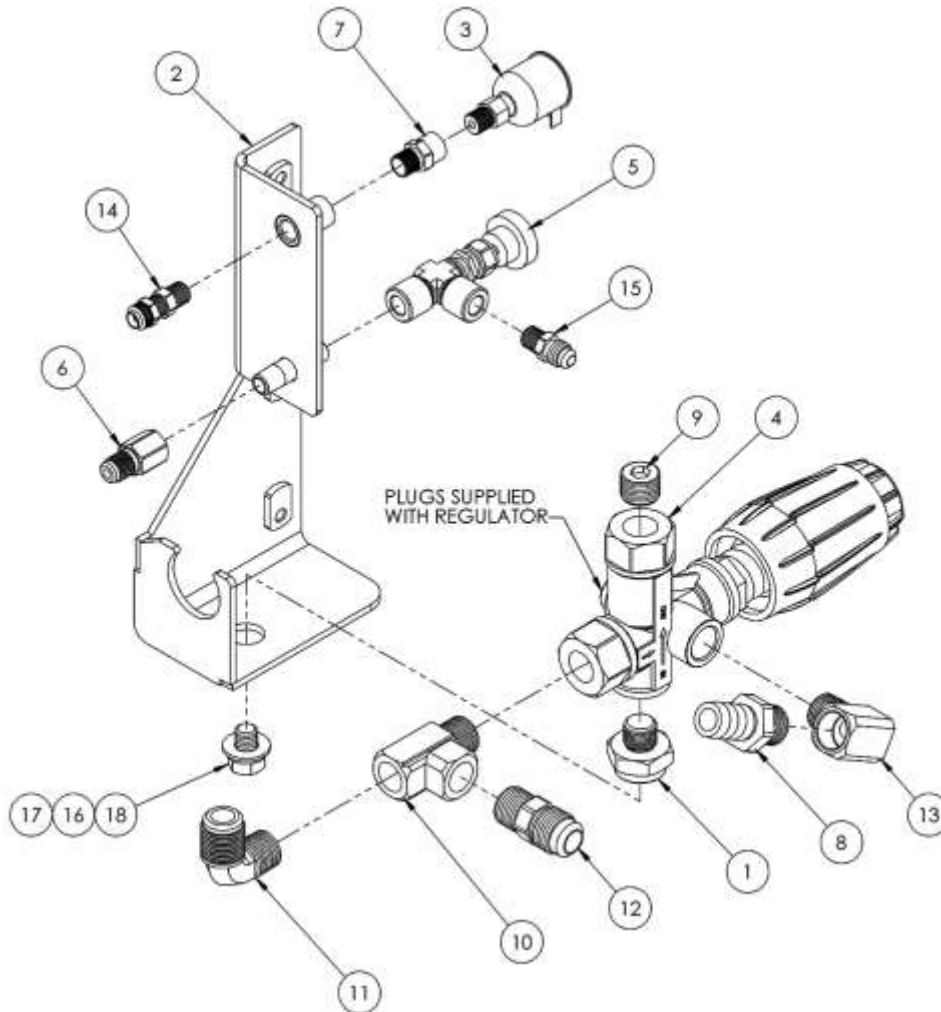
SECTION FIVE: PARTS LISTING AND REFERENCE  
69-975, SOLUTION AND BYPASS MANIFOLDS



SECTION FIVE: PARTS LISTING AND REFERENCE  
**69-975, SOLUTION AND BYPASS MANIFOLDS BOM TABLE**

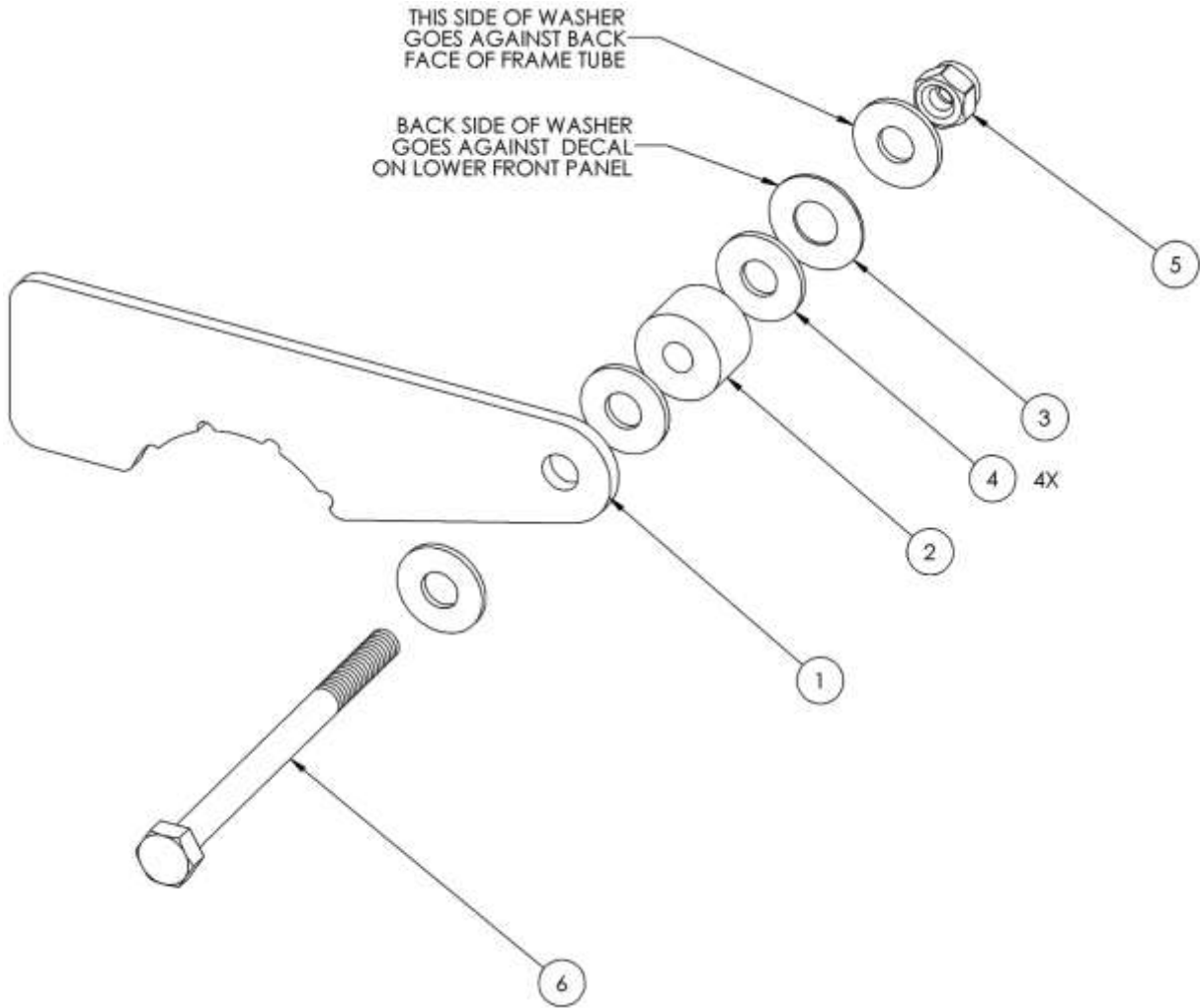
1	23	20-015	SCREEN, BYPASS MANIFOLD
1	22	20-018	SCREEN, CHECK VALVE MANIFOLD
1	21	21-012	CONN, 1/2 NPT X 1/2 T BRASS
2	20	21-026	NIP, 1/4 HEX BRASS
1	19	21-029	PLUG, 1/8 NPT SOCKET HD BRASS
1	18	21-037	ELL, 1/4 IN. BRASS
1	17	21-051	ELL, 1/4P X 1/4T 45 DEG BRASS
1	16	21-052	NIP, 3-8 X 1-4 HEX BRASS
2	15	21-054	ELL, 1-8P X 1/4 T BRASS
1	14	21-055	ELL, 1-8 P X 1/4 T 45 DEG BRASS
1	13	21-110	TEE, 1/2 NPT BRASS
3	12	21-264	PLUG, 1/4 NPT BRASS
1	11	21-336	TEE, RUN 1/8 NPT X 1/4 JIC X 1/4 JIC BRASS
1	10	21-373	BUSHING, 1/2 NPT X 1/8 FNPT BRASS
1	9	21-374	NIPPLE, 1/2 NPT X 2-1/2L 304SS
1	8	23-063	ASSY, CHECK VALVE
2	7	25-001	DSC, 1/4F X 1/4FP BRASS
1	6	34-000	SENSOR, TEMP, 140-320 DEGREE
1	5	41-003	ORING, .676 ID .816 OD
1	4	66-011	MANIFOLD, BYPASS
1	3	66-017	CAP, CHECK VALVE
1	2	66-019	ORIFICE, BYPASS, .029 RED
1	1	66-205	MANIFOLD BLOCK
QTY	ITEM	PART NO.	DESCRIPTION

SECTION FIVE: PARTS LISTING AND REFERENCE  
**69-966, PRESSURE REGULATOR ASSEMBLY**



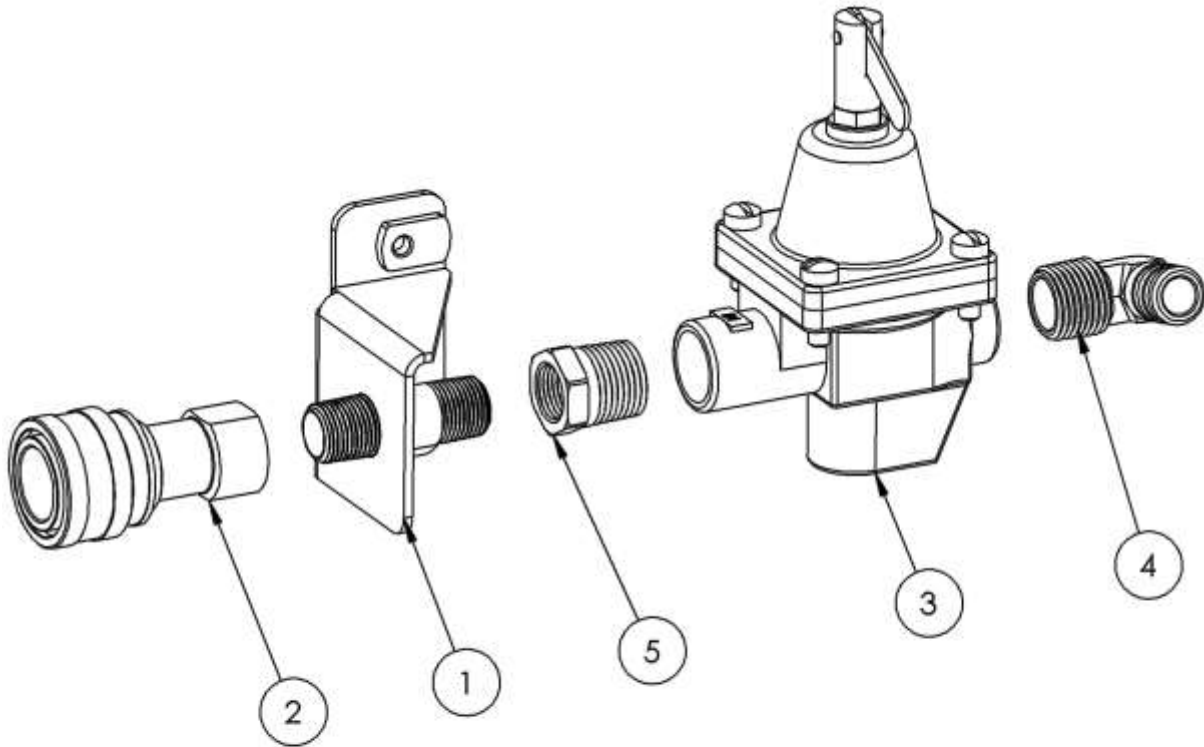
1	18	10-157	SCREW, MACH 3/8-16 X 1/2 HH ZP
1	17	12-013	WASHER, FLAT 3/8 USS
1	16	12-014	LKWSR, 3/8 ZINC
1	15	21-001	CONN, 1/8 P X 1/4 T BR
1	14	21-028	CONN, 1/8 P X 1/4 POLY
1	13	21-040	ELBOW, STREET 3/8 IN BRASS
1	12	21-057	CONN, 3/8 NPT X 1/2 JIC BRASS
1	11	21-061	ELL, 3/8 P X 1/2 T BRASS
1	10	21-062	TEE, 3/8 FNPT X NPT X FNPT BRASS
1	9	21-146	PLUG, 3/8 NPT BRASS
1	8	21-261	FITTING, 5/8 HOSE BARB X 3/8 NPT BRASS
1	7	21-333	COUPLING, 1/8 FNPT X 1/8 MNPT BRASS
1	6	21-372	ADAPTOR, O4 JIC X 1/8FNPT HEX BRASS
1	5	23-028	VLV, MET 1/8 FP (CHEM) RT ANG SS
1	4	23-141	UNLOADER, 2000 PSI VRT3 W/KNOB
1	3	28-000	CUP, OILFILL, 1/8 NPT
1	2	61-1587	WMT, REGULATOR BRACKET
1	1	66-340	FITTING, 3/8 NPT M X 3/8-16 F STANDOFF
QTY	ITEM	PART NO.	DESCRIPTION

SECTION FIVE: PARTS LISTING AND REFERENCE  
**69-962, PRESSURE REGULATOR LATCH ASSEMBLY**



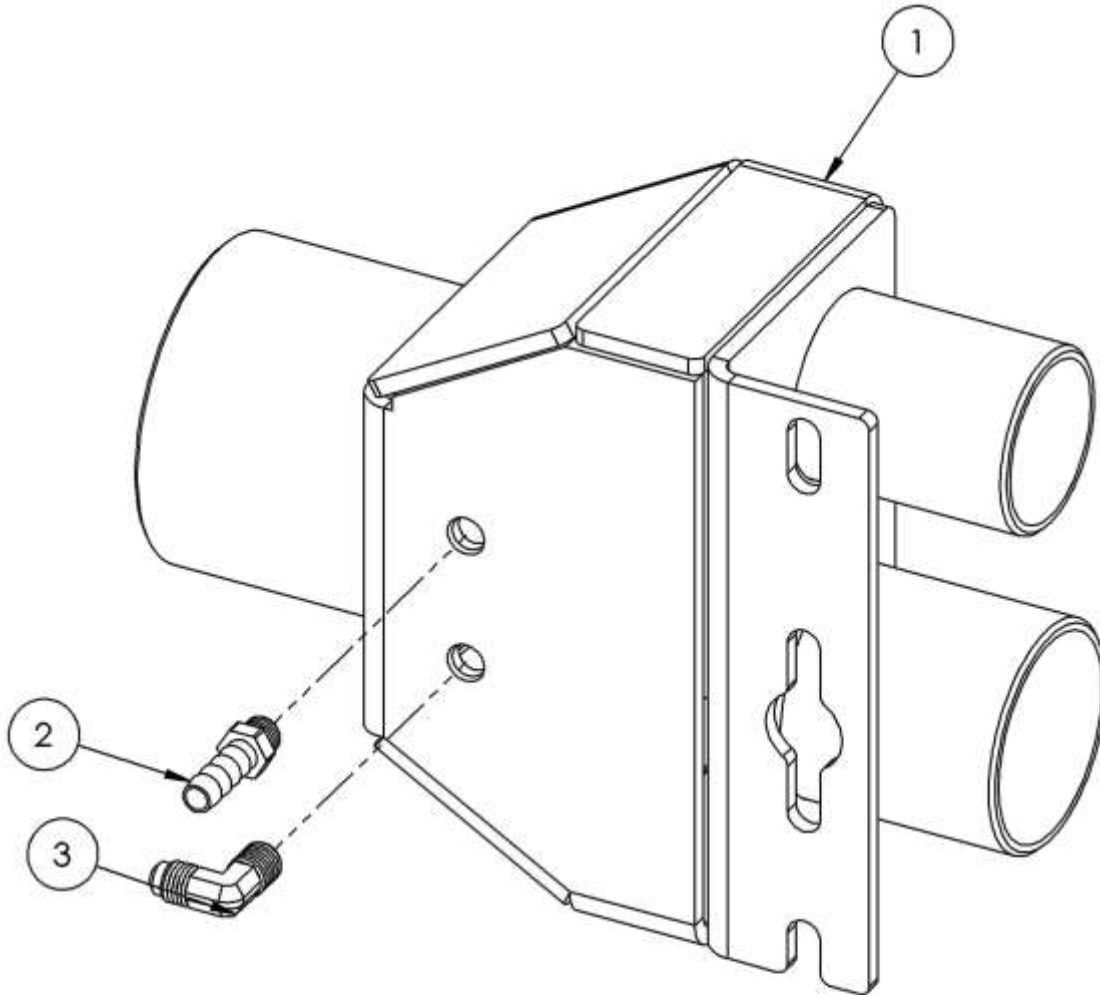
1	6	10-003	BOLT, 1/4-20 X 3 1/2 HH ZP
1	5	11-013	NUT, 1/4-20 NYLOK SS
4	4	12-012	WASHER, FLAT 1/4 USS
1	3	12-044	WASHER, FLAT, .38 X .812 X .03 PTFE (95630A245)
1	2	12-082	SPACER, .75 OD X .26 ID X .50 L LDPE
1	1	58-1009	LEVER, REGULATOR STOP
QTY	ITEM	PART NO.	DESCRIPTION

SECTION FIVE: PARTS LISTING AND REFERENCE  
**69-970, WATER INLET AND REGULATOR ASSEMBLY**



1	5	21-371	BUSHING, 1/2 NPT X 3/8 NPT HEX BRASS
1	4	21-478	ELBOW, 1/2 P X 5/8 H BARB 90DEG BRASS
1	3	23-132	REGULATOR, 10-25 PSI 1/2 NPT
1	2	25-005	QUICK COUPLING, 3/8 F X 3/8 FNPT BRASS
1	1	61-507	WELDMENT, BRACKET QD MOUNTING
QTY	ITEM	PART NO.	DESCRIPTION

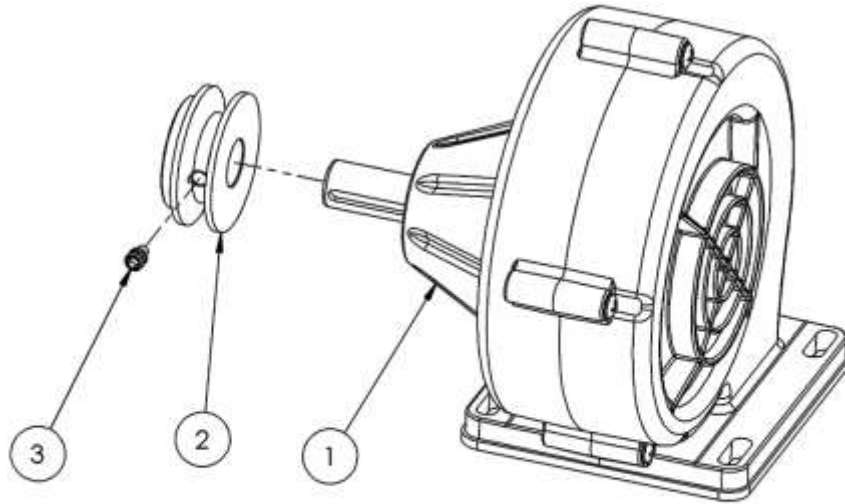
SECTION FIVE: PARTS LISTING AND REFERENCE  
**69-438, ASSY, VACUUM INLET BRACKET**



1	3	21-054	ELL, 1-8P X 1-4 T BRASS
1	2	21-007	FTTG, BRB 1/8 P X 5/16 H BR
1	1	61-882	WELDMENT, VAC INLET BRACKET
QTY	ITEM	PART NO.	DESCRIPTION

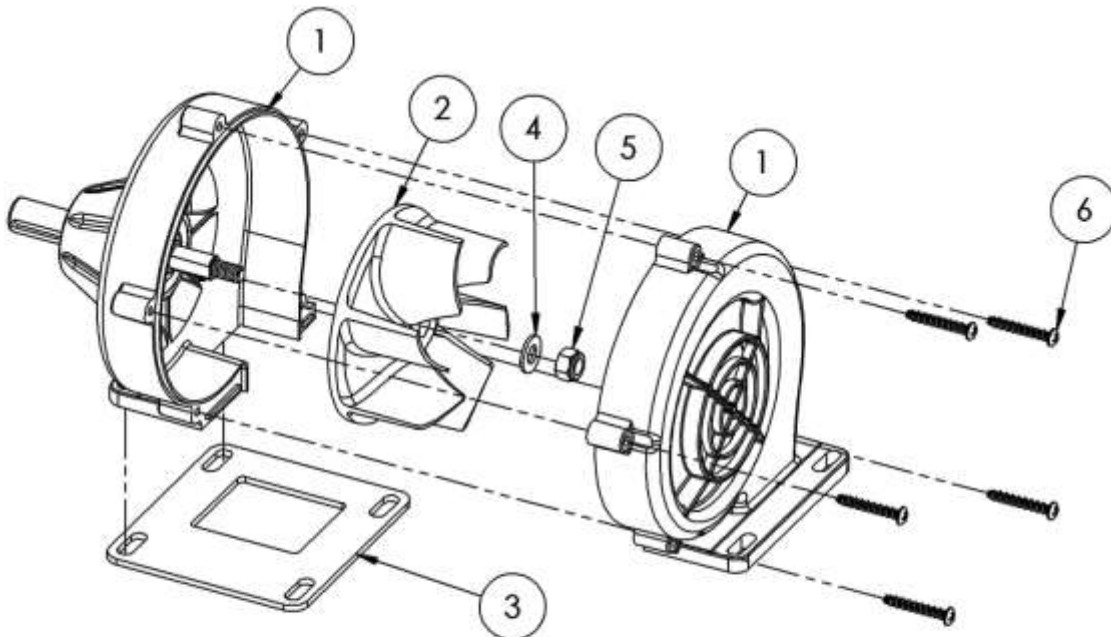


SECTION FIVE: PARTS LISTING AND REFERENCE  
**69-961, BELT COOLING FAN AND PULLEY**



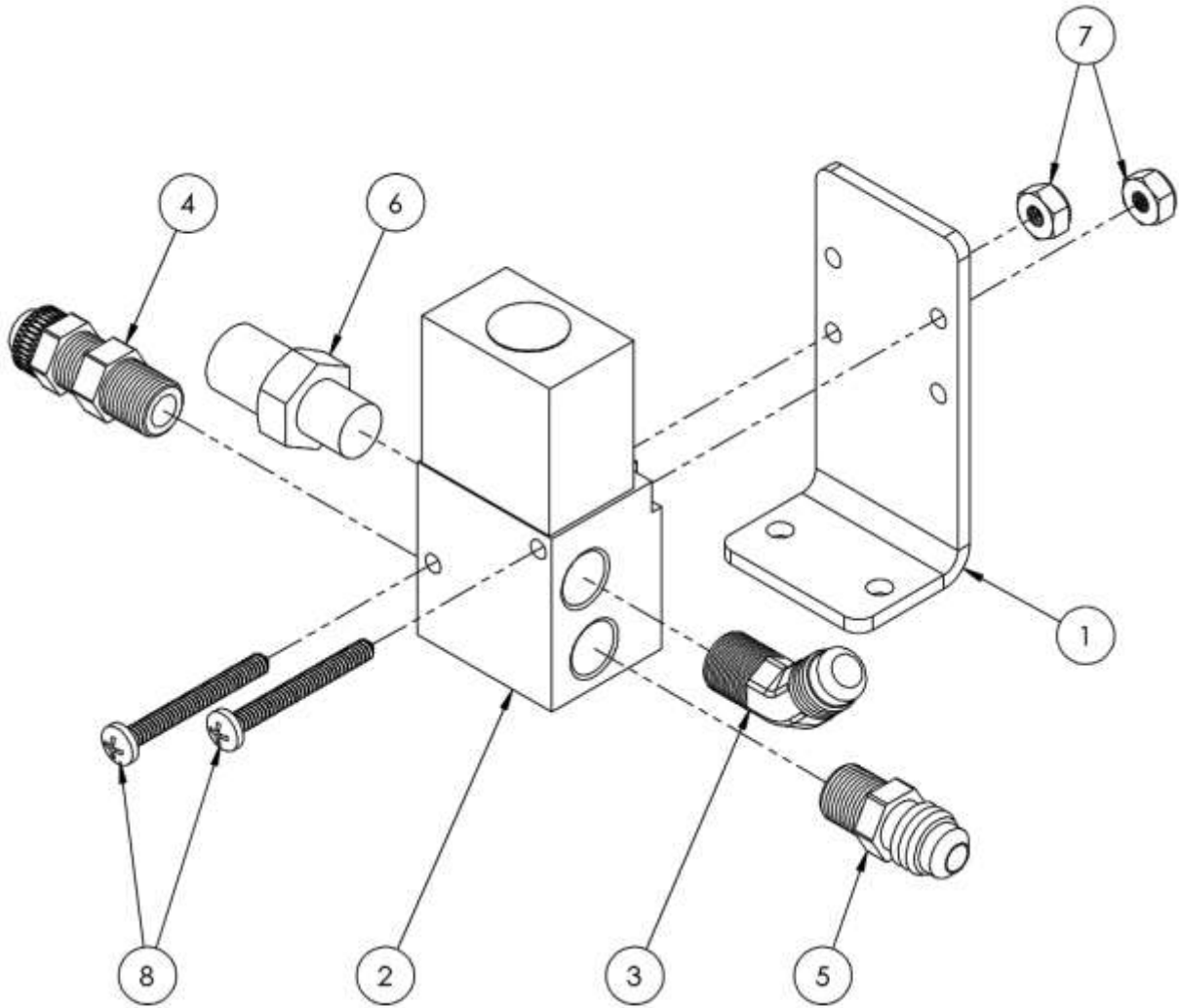
1	3	10-424	SCREW, FULL DOG SET 1/4-20 X 3/8 BLK
1	2	66-605	PULLEY, 3L BELT X 1.900 OD
1	1	68-414	SUBASSY, BELT GUARD BLOWER
QTY	ITEM	PART NO.	DESCRIPTION

**68-414, COOLING FAN INTERNAL ASSEMBLY**



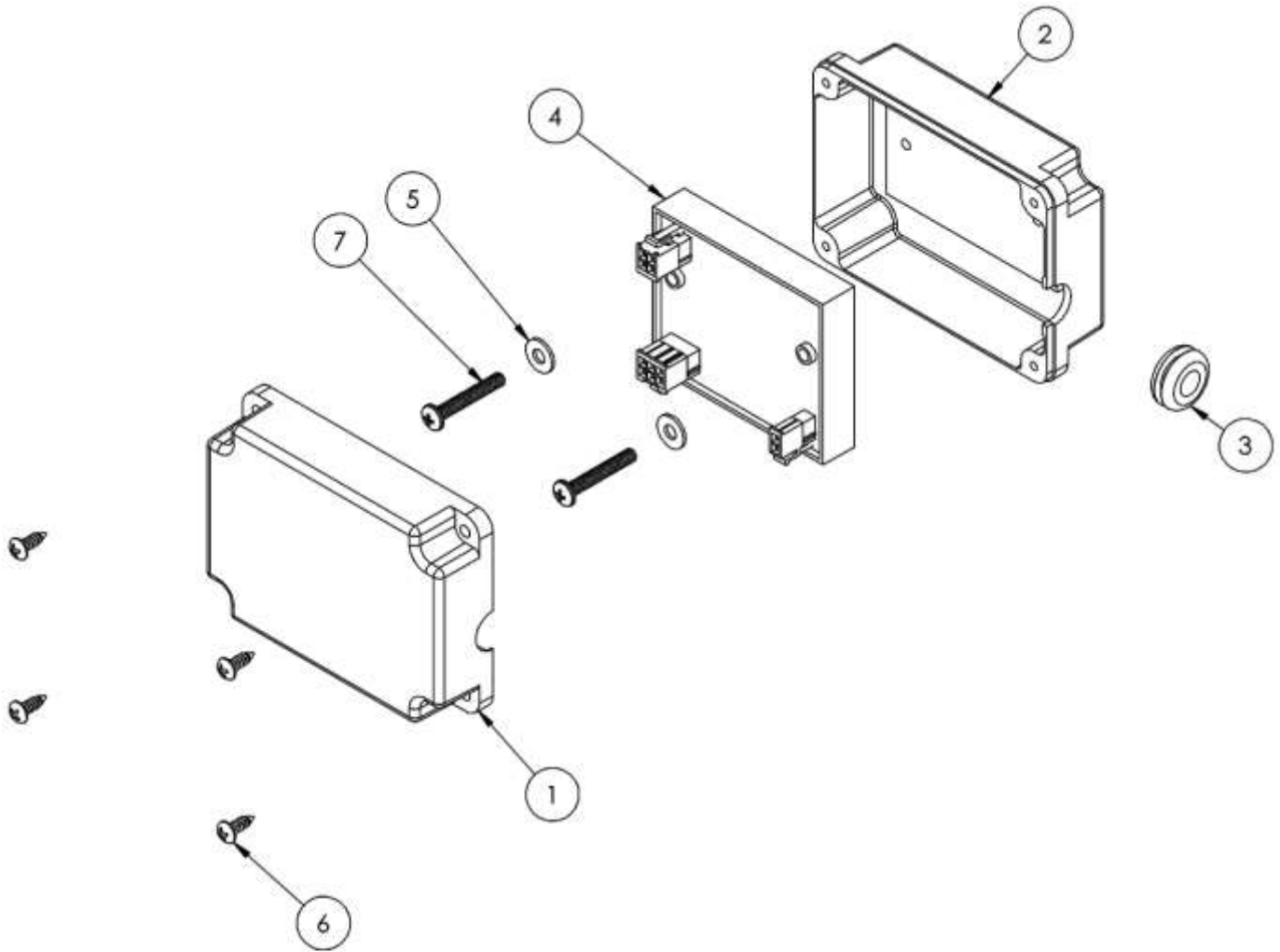
5	6	10-376	SCREW, #10 X 1.25 HIGH LOW PHP BLK
1	5	11-029	NUT, 5/16-18 NYLOCK
1	4	12-017	WASHER, FLAT 5/16 SAE ZINC
1	3	41-202	GASKET, BELT GUARD BLOWER
1	2	51-042	AIR WHEEL, MOLDED
1	1	68-410	ASSY, BELT GUARD BLOWER HSG
QTY	ITEM	PART NO.	DESCRIPTION

SECTION FIVE: PARTS LISTING AND REFERENCE  
**69-974, DIVERTER LOCKOUT VALVE ASSEMBLY**



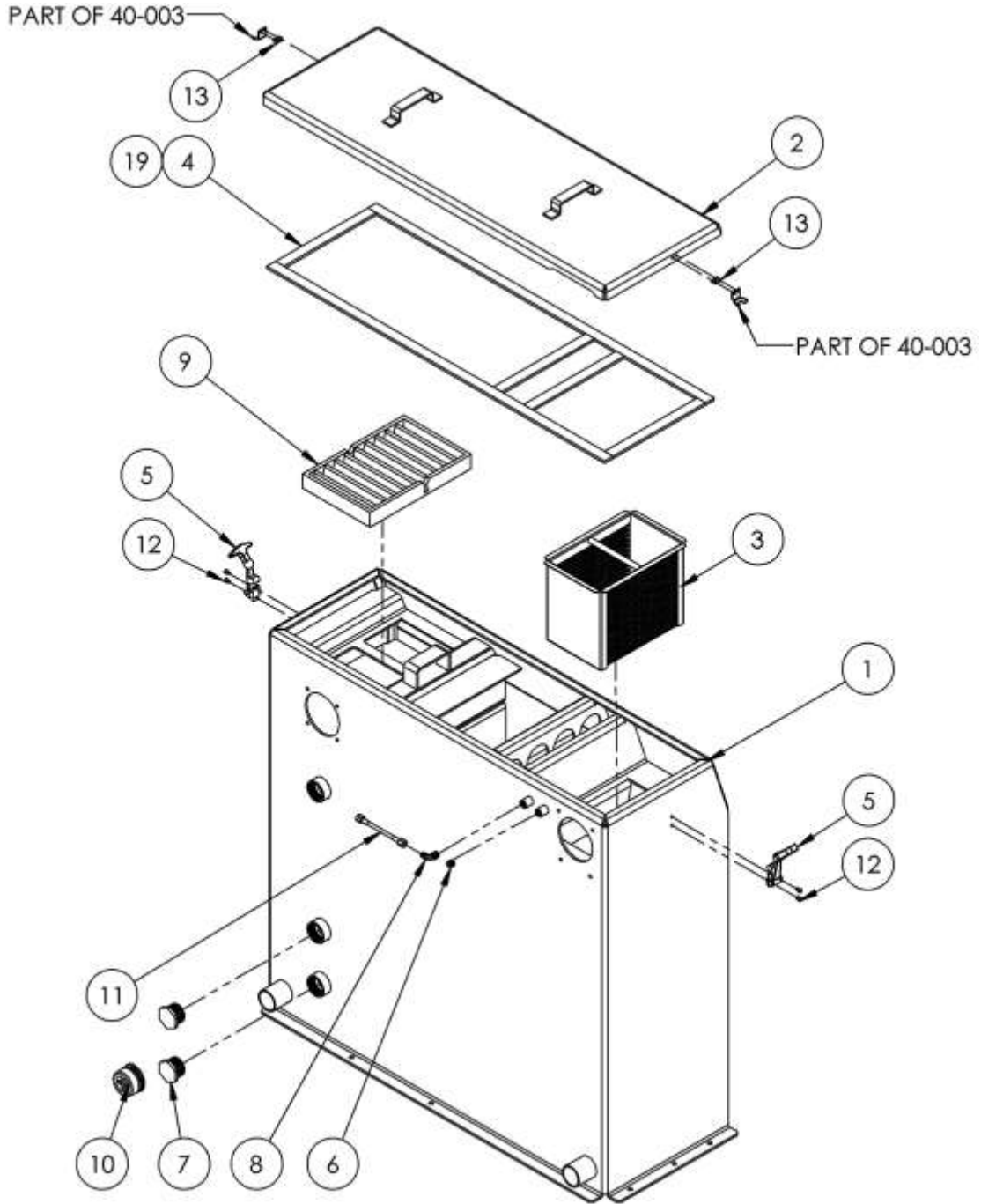
2	8	10-255	SCREW, MACH 6-32 X 1-1/4 PPH ZP
2	7	11-021	NUT, 6-32 NYLON
1	6	20-030	1/8 IN AIR MUFFLER
1	5	21-001	CONN, 1/8 P X 1/4 T BR
1	4	21-028	CONN, 1/8 P X 1/4 POLY
1	3	21-055	ELL, 1-8 P X 1/4 T 45 DEG BRASS
1	2	23-084	VALVE, MACVALVE 45A-AA1-DDBA-1BA=CLSF
1	1	58-364	BRACKET, DIVERTER LOCKOUT VALVE
QTY	ITEM	PART NO.	DESCRIPTION

SECTION FIVE: PARTS LISTING AND REFERENCE  
**69-634, ASSY, TEMPERATURE CONTROL MODULE**



2	7	10-252	SCREW, MACH 10-32 X 1-1/4 PPH ZP
4	6	10-310	SCREW, SHEET METAL #8-15 X 1/2 PPH ZP
2	5	12-028	WASHER, FLAT #10 SS
1	4	34-045	MODULE, TEMP CONTROL
1	3	41-070	GROMMET, 7/8" OD X 3/8" ID X 1/8" PANEL
1	2	51-086	MOLDING, TEMP CNTL BOX BOTTOM
1	1	51-087	MOLDING, TEMP CNTL BOX LID
QTY	ITEM	PART NO.	DESCRIPTION

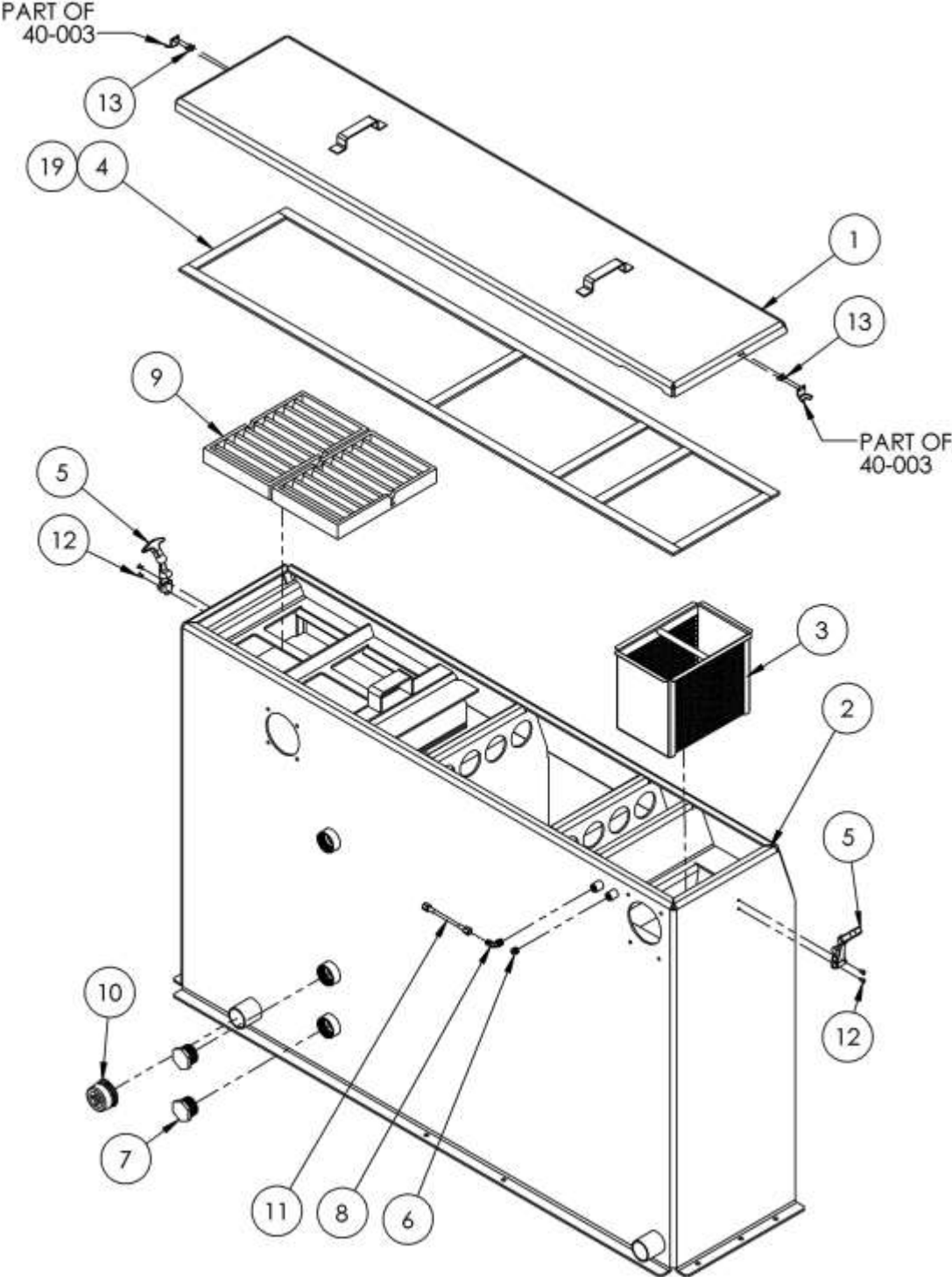
SECTION FIVE: PARTS LISTING AND REFERENCE  
69-926 90 GALLON WASTE TANK ASSEMBLY



SECTION FIVE: PARTS LISTING AND REFERENCE  
**69-926 90 GALLON WASTE TANK ASSEMBLY TABLE**

4	15	10-022	SCREW, MACH 5/16-X 2 LAG BOLT
.34	14	13-005	ADHESIVE, GASKET BOSTIK 1100
4	13	14-018	RIVET, SS 3/16 LONG
4	12	14-031	RIVET, SS 3/16 X 1/2 SHORT
1	11	18-215-16	HOSE ASSEMBLY, 3-16 ID X 38 OL
1	10	19-009	CAP, PLUG 2IN RUBBER
1	9	20-071	STRAINER, WASTE TANK RECT
1	8	21-064	ELL, 1/4 P X 1/4 T BRASS
2	7	21-097	PLUG, 1-1/4 IN PVC
1	6	21-264	PLUG, 1/4 NPT BRASS
2	5	40-003	LATCH, PRE-FILTER BOX
124 IN	4	41-018	GASKET, SPONGE 1 IN X 45 FT
1	3	61-002	WELDMENT, STRAINER BASKET
1	2	61-1517	WELDMENT, WASTE TANK LID 60 GAL
1	1	61-1518	WELDMENT, WASTE TANK 60 GAL
QTY	ITEM	PART NO.	DESCRIPTION

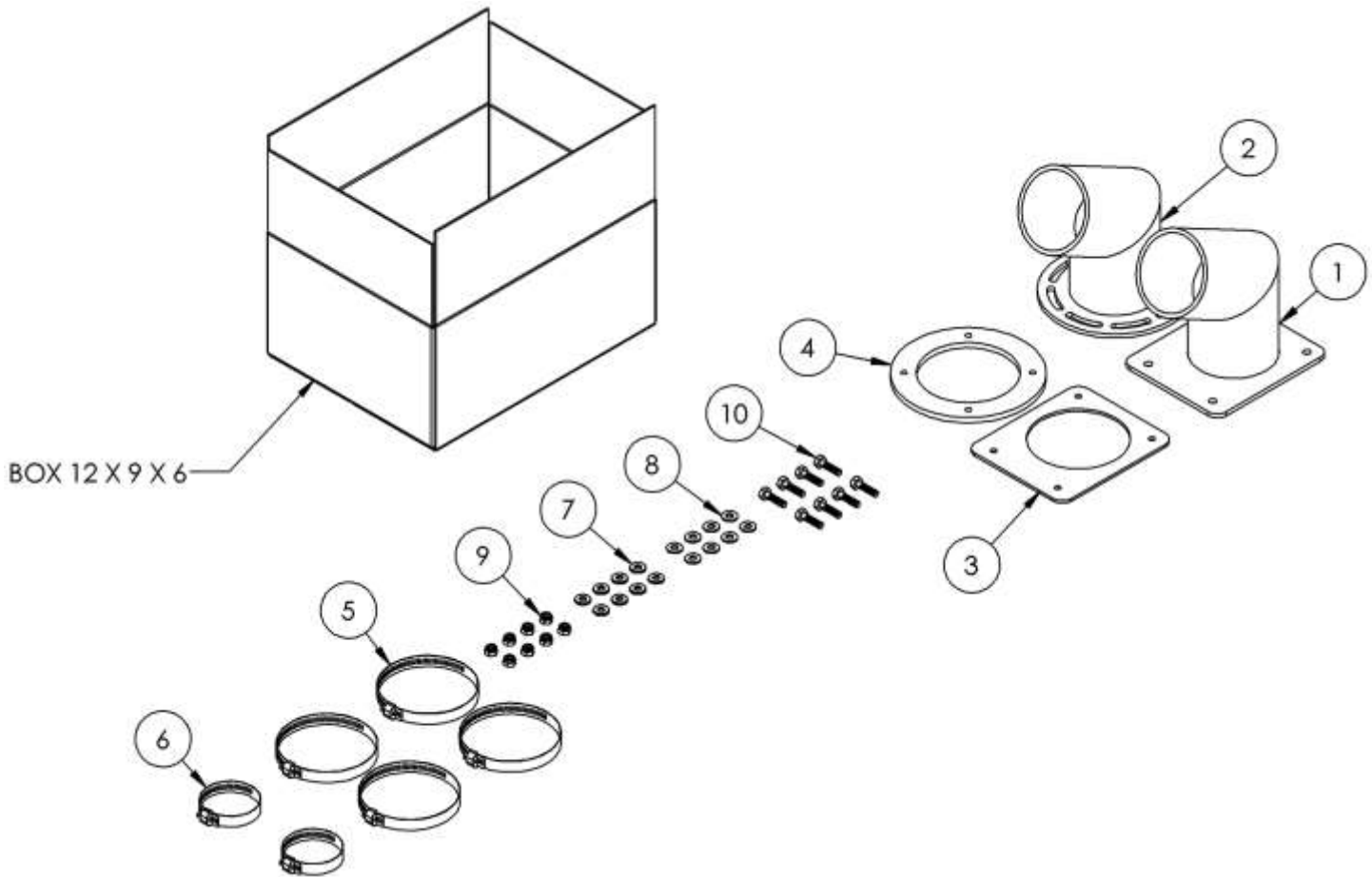
SECTION FIVE: PARTS LISTING AND REFERENCE  
69-925 120 GALLON WASTE TANK ASSEMBLY



SECTION FIVE: PARTS LISTING AND REFERENCE  
**69-925 120 GALLON WASTE TANK ASSEMBLY TABLE**

4	15	10-022	SCREW, MACH 5/16-X 2 LAG BOLT
.34	14	13-005	ADHESIVE, GASKET BOSTIK 1100
4	13	14-018	RIVET, SS 3/16 LONG
4	12	14-031	RIVET, SS 3/16 X 1/2 SHORT
1	11	18-215-16	HOSE ASSEMBLY, 3-16 ID X 38 OL
1	10	19-009	CAP, PLUG 2IN RUBBER
2	9	20-071	STRAINER, WASTE TANK RECT
1	8	21-064	ELL, 1/4 P X 1/4 T BRASS
2	7	21-097	PLUG, 1-1/4 IN PVC
1	6	21-264	PLUG, 1/4 NPT BRASS
2	5	40-003	LATCH, PRE-FILTER BOX
140 IN	4	41-018	GASKET, SPONGE 1 IN X 45 FT
1	3	61-002	WELDMENT, STRAINER BASKET
1	2	61-1519	WELDMENT, WASTE TANK 100 GAL
1	1	61-1520	WELDMENT, WASTE TANK LID 100 GAL
QTY	ITEM	PART NO.	DESCRIPTION

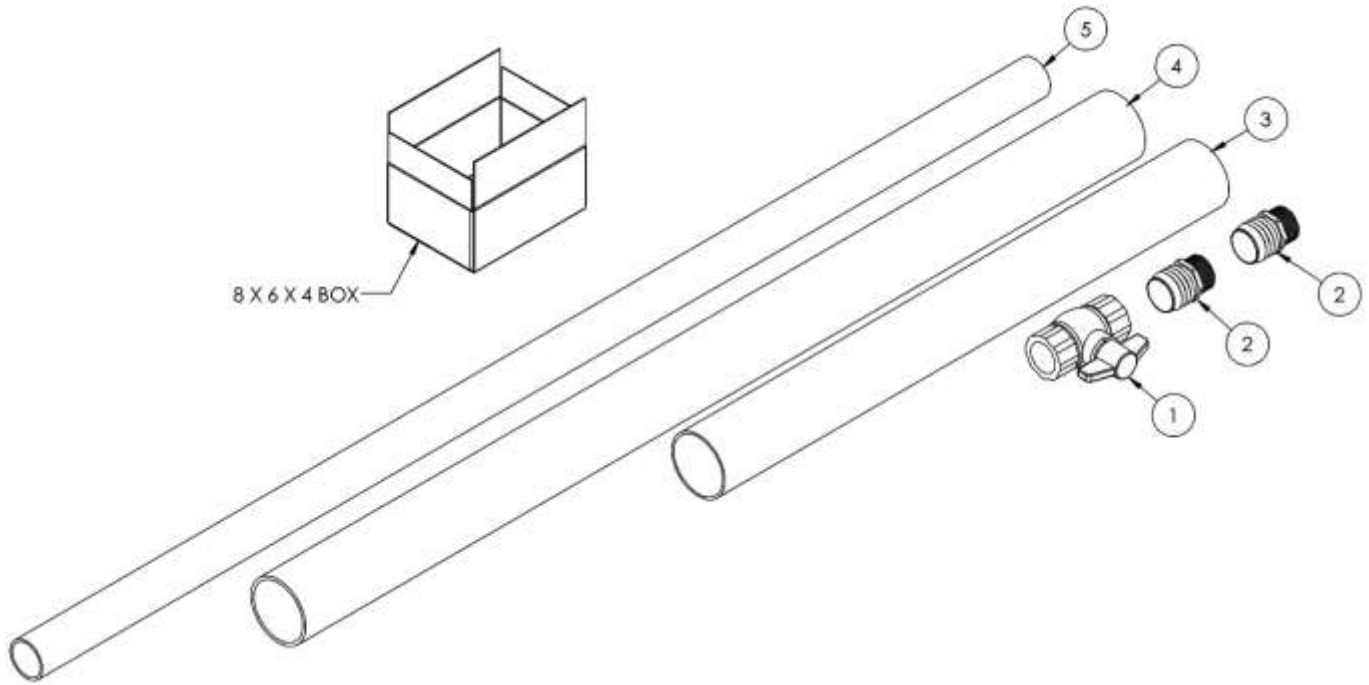
SECTION FIVE: PARTS LISTING AND REFERENCE  
**48-142 WASTE TANK PORTS KIT**



8	10	10-011	SCREW, MACH 1/4-20 X 1 HXHD SS
8	9	11-139	LKNUT, 1/4-20 NYLOK SS
8	8	12-002	WASHER, FLAT 1/4 SS ANC
8	7	12-071	WASHER, SEALING .27 ID X .625 OD
2	6	14-010	CLAMP, HOSE #32
4	5	14-050	CLAMP, HOSE 4 1/2 TO 2 1/2 HD SS
1	4	41-207	GASKET, VAC OUTLET
1	3	41-211	GASKET, VAC INLET LG
1	2	61-1559	WELDMENT, 3.50 VAC OUTLET
1	1	61-1560	WELDMENT, 3.50 VAC INLET
QTY	ITEM	PART NO.	DESCRIPTION

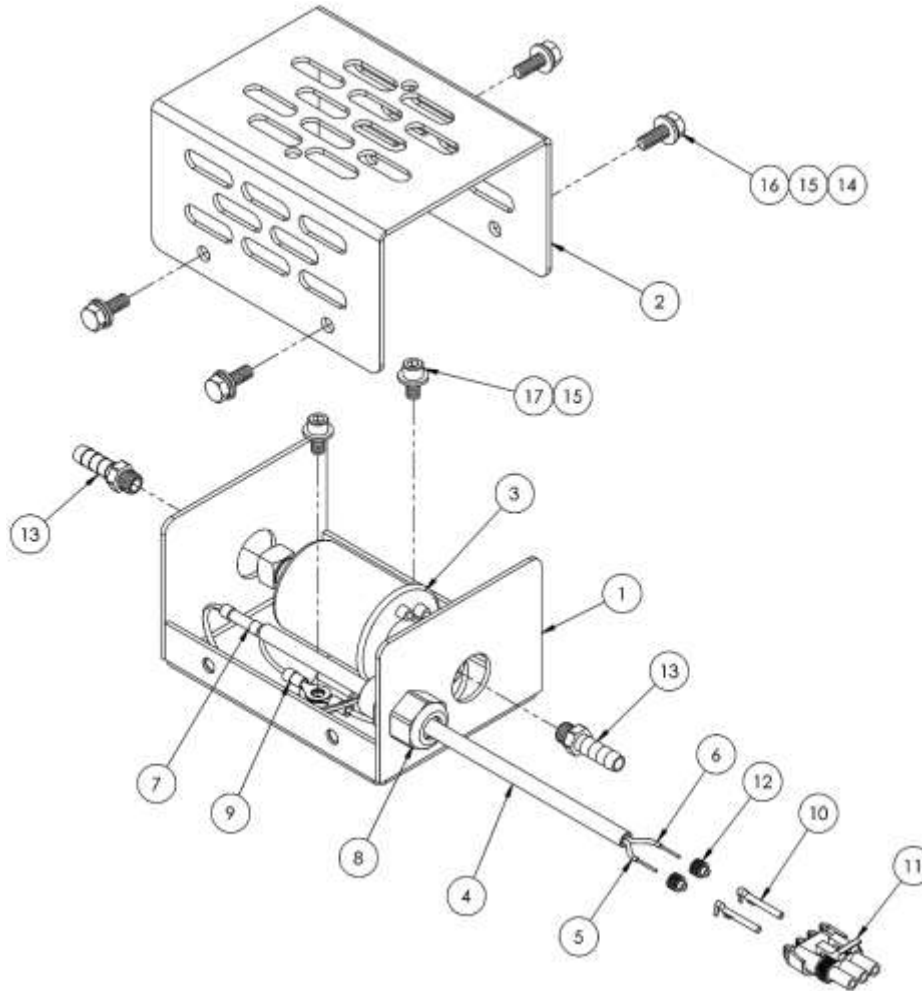


SECTION FIVE: PARTS LISTING AND REFERENCE  
**48-134 WASTE TANK HOSES KIT**



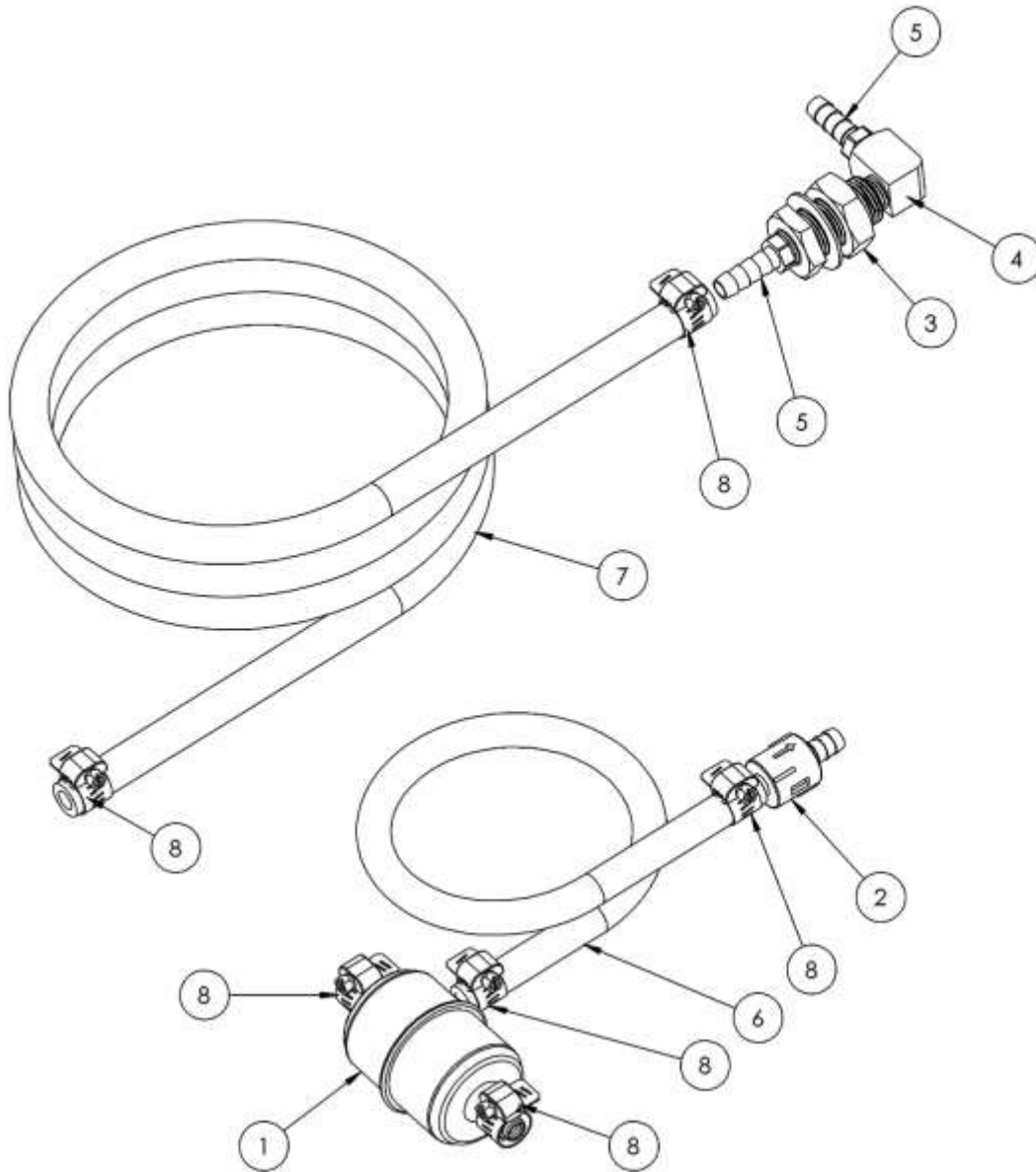
1	5	17-421	HOSE, INT VACUUM 2 IN X 6 FT
1	4	17-702	HOSE, INT VACUUM 3-1/2 X 5FT
1	3	17-705	HOSE, INT. VACUUM 3-1/2 X 3FT
2	2	21-094	FTG, 1-1/2 P X 2H DRAIN
1	1	23-022	VLV, BALL 1-1/2 FP PVC DUMP
QTY	ITEM	PART NO.	DESCRIPTION

SECTION FIVE: PARTS LISTING AND REFERENCE  
**68-030 FUEL PUMP AND HOUSING ASSEMBLY**



2	17	10-007	SCREW, MACH 1/4-20 X 1/2 SOCHD SS
4	16	10-025	SCREW, MACH 1/4-20 X 3/4 HXHD GRD5
6	15	12-011	WASHER, FLAT #12 SAE
4	14	12-015	LKWSR, 1/4 ZINC
2	13	21-007	FTG, BRB 1/8 P X 5/16 H BR
2	12	31-015	CONN, SEAL # 39001 WAYTEK
1	11	31-016	CONN, 3 PRG 1/2 TWR #38045 WAYTEK
2	10	31-019	PIN, FEMALE # 31035 WAYTEK
2	9	31-033	TERM, RING 14-16 GA. 1/4 BLUE
1	8	31-047	STRAIN RELIEF #2612
1	7	31-166	CONN, BUTT 14-16 GA
10 IN	6	32-002	WIRE, 14 GA SXL BLK
10 IN	5	32-004	WIRE, 14 GA SXL WHITE
8 IN	4	32-025	LOOM, HI HEAT .250 DIA. BLACK
1	3	46-039	PUMP, FUEL AIRTEX
1	2	58-034	PNL, BOX TOP FUEL PUMP
1	1	61-081	WELDMENT, LWR FUEL PUMP HSG
QTY	ITEM	PART NO.	DESCRIPTION

SECTION FIVE: PARTS LISTING AND REFERENCE  
**68-194 FUEL FILTER KIT**



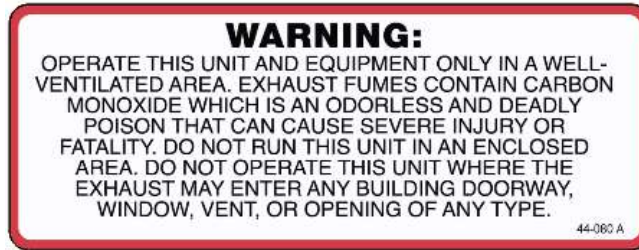
6	8	14-007	CLAMP, HOSE #4
6 FT	7	16-103	HOSE, FUEL 5/16 30R9 FUEL INJECTION
2 FT	6	16-104	HOSE, FUEL 1/4 30R9 FUEL INJECTION
2	5	21-006	FTG, BRB 1/4 P X 5/16 H BRASS
1	4	21-039	FITTING - ELBOW 1/4 IN STREET BRASS
1	3	21-086	FTG, BULKHEAD 1/4 IN BRASS
1	2	23-087	CHECK VALVE, FUEL
1	1	36-212	FILTER, FUEL 5/16 W/ 1/4 RETURN
QTY	ITEM	PART NO.	DESCRIPTION

SECTION FIVE: PARTS LISTING AND REFERENCE

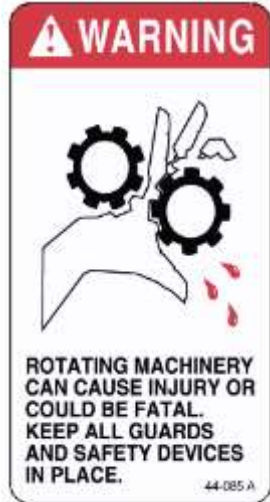
DECALS



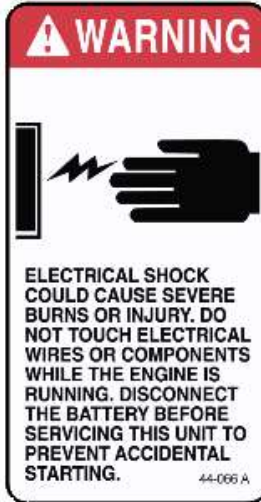
44-084, DECAL, CAUTION HOT SURFACE



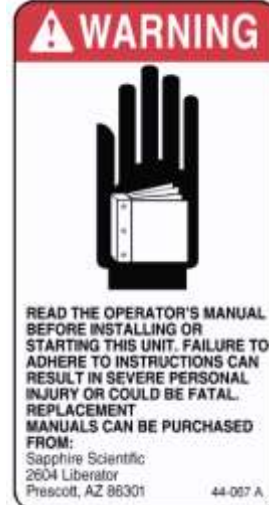
44-080, DECAL, WARNING USE IN WELL VENTILATED AREA



44-085, DECAL, WARNING ROTATING MACHINERY



44-066, DECAL, WARNING ELECTRIC SHOCK



44-067, DECAL, WARNING READ MANUAL



44-090, DECAL, WARNING MANIFOLD MAINTENANCE

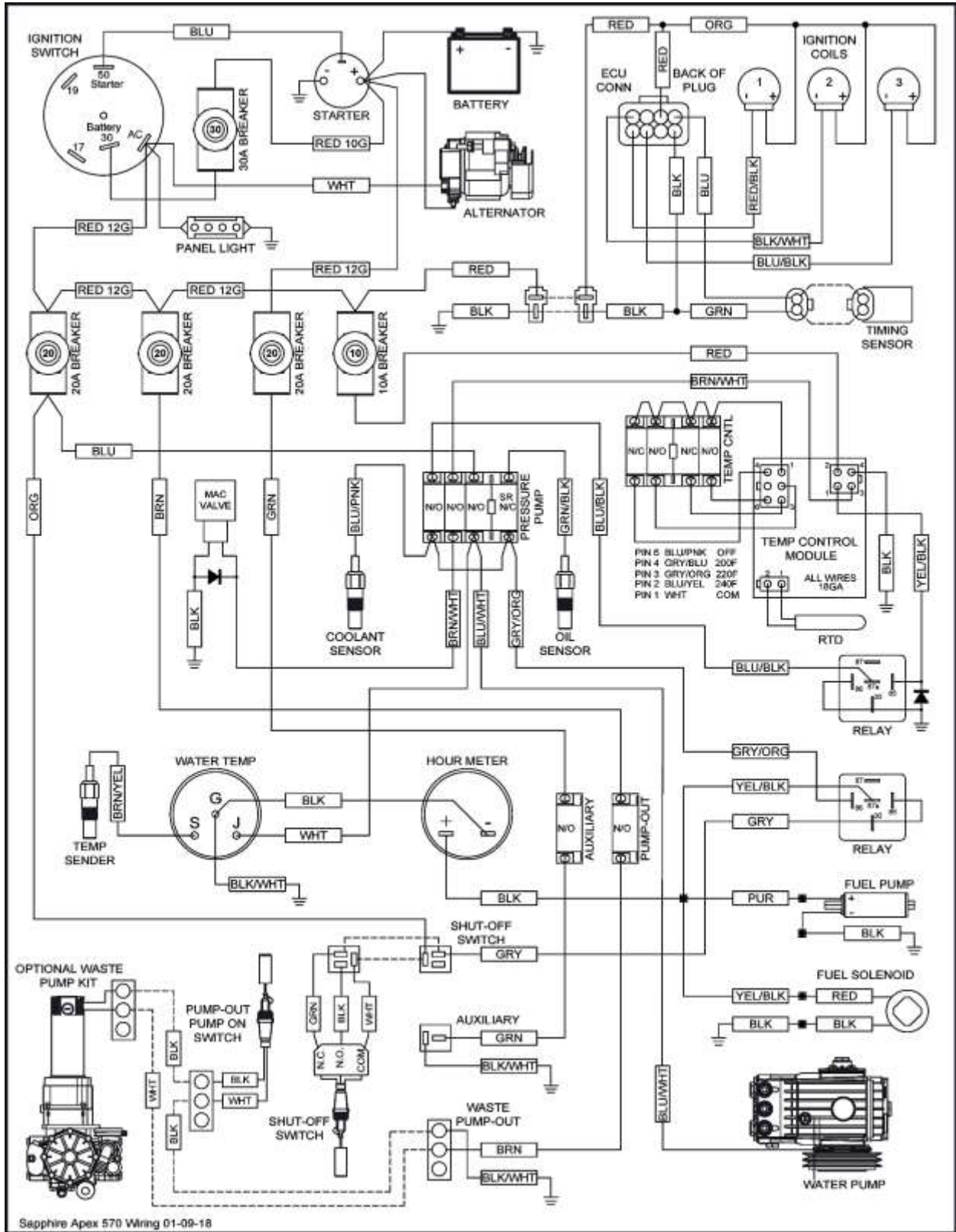


44-079, DECAL, UNLEADED FUEL ONLY

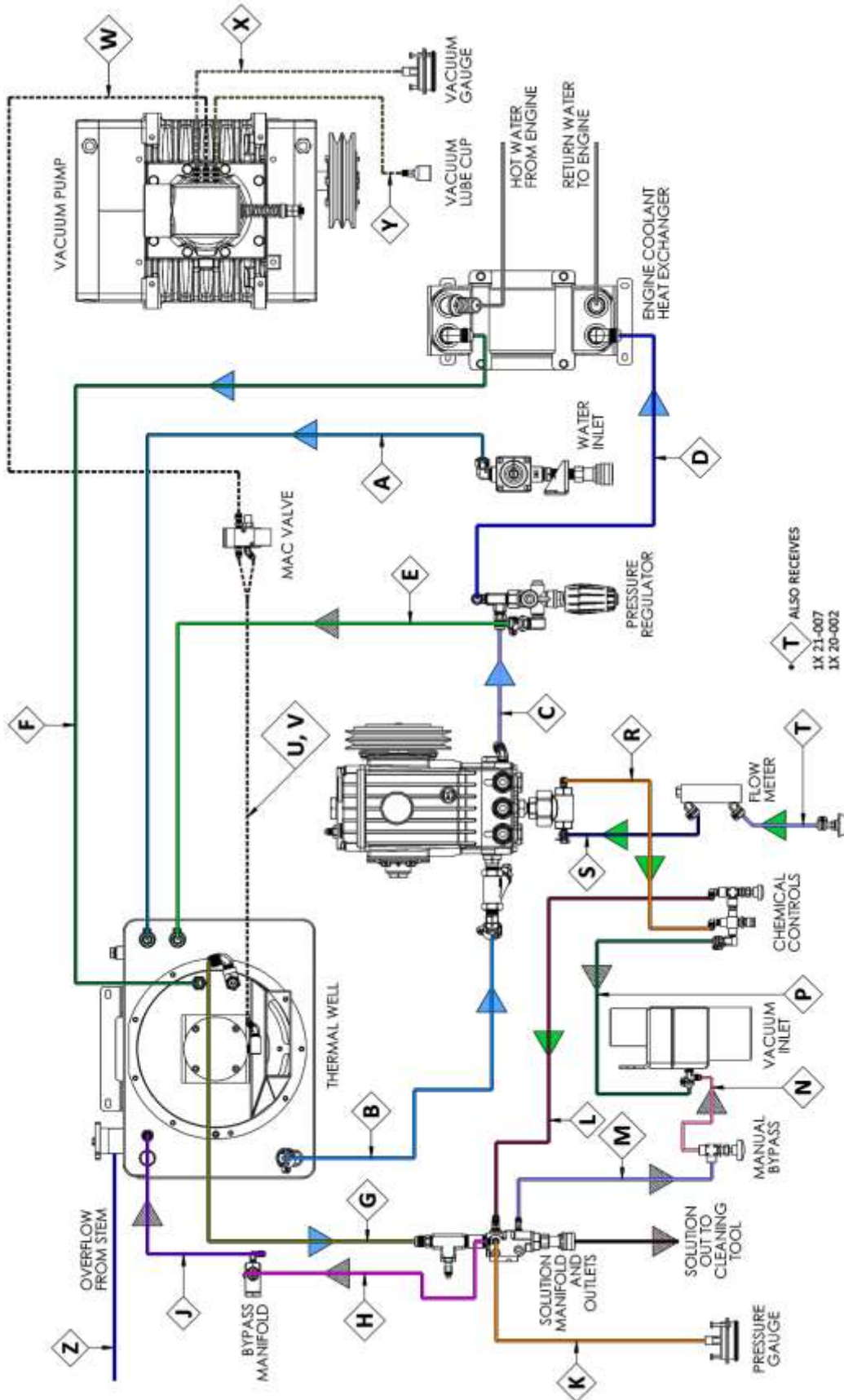


44-312, DECAL, 570 EMBLEM

SECTION FIVE: PARTS LISTING AND REFERENCE  
**APEX 570 WIRING DIAGRAM**




SECTION FIVE: PARTS LISTING AND REFERENCE  
**APEX 570 HOSE ROUTING AND FLOW DIAGRAM**



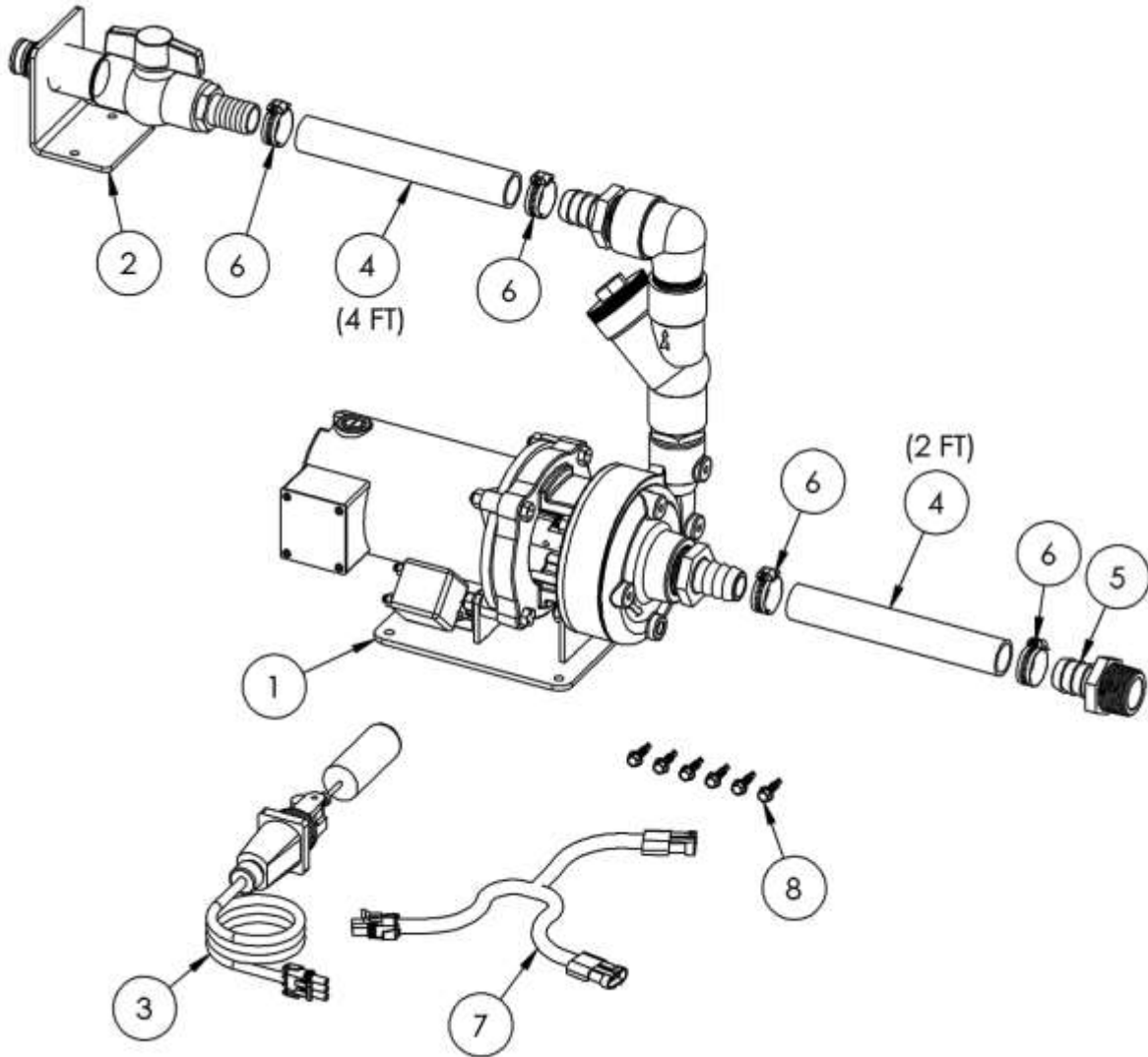
SECTION FIVE: PARTS LISTING AND REFERENCE

**HOSE IDENTIFICATION CHART (SEE HOSE ROUTING DIAGRAM)**

<b>HOSE LENGTHS</b>			
<b>ID</b>	<b>PART NO. (HOSE ID)</b>	<b>LENGTH (IN)</b>	<b>CLAMPS</b>
A	16-005 (5/8)	36	14-012 X2
B	16-004 (3/4)	8	14-000 X2
C	18-214-14 (7/16)	20	N/A
D	18-214-17 (7/16)	19	N/A
E	16-005 (5/8)	21	14-012 X2
F	18-214-07 (7/16)	30	N/A
G	18-214-10 (7/16)	22	N/A
H	18-215-09 (3/16)	16.5	N/A
J	18-215-05 (3/16)	12.5	N/A
K	18-215-10 (3/16)	18	N/A
L	18-215-10 (3/16)	18	N/A
M	18-215-07 (3/16)	14.75	N/A
N	18-215-05 (3/16)	12.5	N/A
P	16-006 (5/16)	33	14-007 X2
R	18-215-15 (3/16)	29.75	N/A
S	16-006 (5/16)	33	14-007 X2
T	16-006 (5/16)	60	14-007 X2*
U	18-215-33 (3/16)	36	N/A
V	18-215-33 (3/16)	36	N/A
W	16-017 (1/4)	46	N/A
X	16-017 (1/4)	75	N/A
Y	16-017 (1/4)	65	N/A
Z	16-005 (5/8)	21	14-012 X1

\*  **ALSO RECEIVES**  
**1X 21-007**  
**1X 20-002**

SECTION FIVE: PARTS LISTING AND REFERENCE  
**OPTIONAL ACCESSORY - AUTOMATIC PUMPOUT**  
**124982 AUTOMATIC PUMP-OUT ASSEMBLY**



2	10	125854	BAG, INSTAPAK EXPANDING FOAM #80
1	9	125853	BOX, DOUBLE WALL 20 X 12 X 12
6	8	124985	SCREW, 1/4 X 1 HWH TEKS 3
1	7	107155	HARNES, WASTE PUMP OUT
4	6	102857	CLAMP, HOSE #20 SS
1	5	125861	FTTG, BARB 1-1/4 P X 1 H PVC
6 FT	4	106035	HOSE, WTR 1 IN HRZ 100 FT BULK
1	3	105753	ASSY, LVL SENSOR SHTOFF WASTE PMP
1	2	124883	ASSY, VALVE BRACKET
1	1	124889	ASSY, PUMP OUT
QTY	ITEM	PART NO.	DESCRIPTION

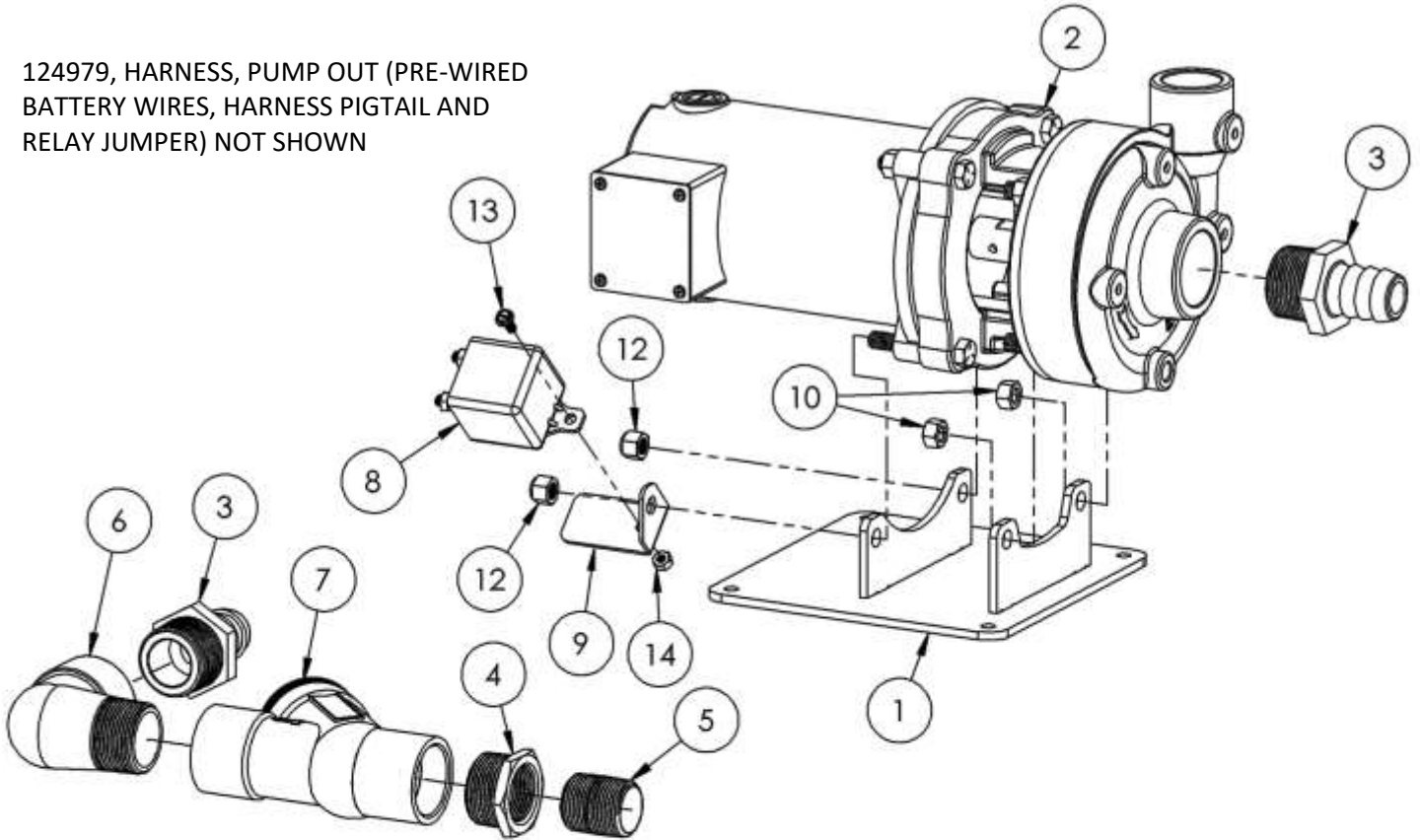
WASTE PUMP INSTALLATION DOCUMENT: PART NUMBER 125097

**MUST HAVE GROUP 24 BATTERY INSTALLED TO USE PUMP**



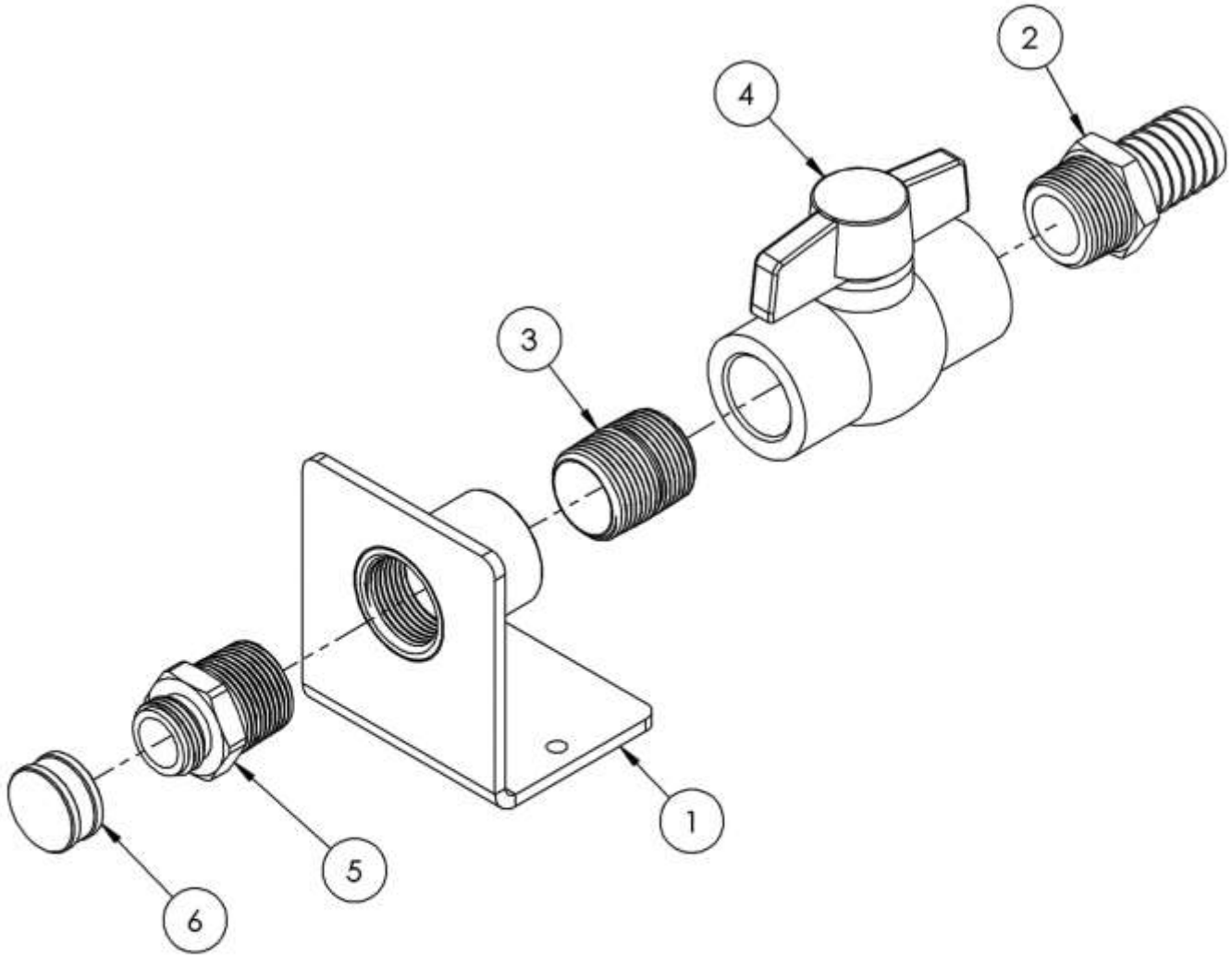
SECTION FIVE: PARTS LISTING AND REFERENCE  
**OPTIONAL ACCESSORY (PART OF 124982)**  
**124889 WASTE PUMP OUT KIT**

124979, HARNESS, PUMP OUT (PRE-WIRED BATTERY WIRES, HARNESS PIGTAIL AND RELAY JUMPER) NOT SHOWN



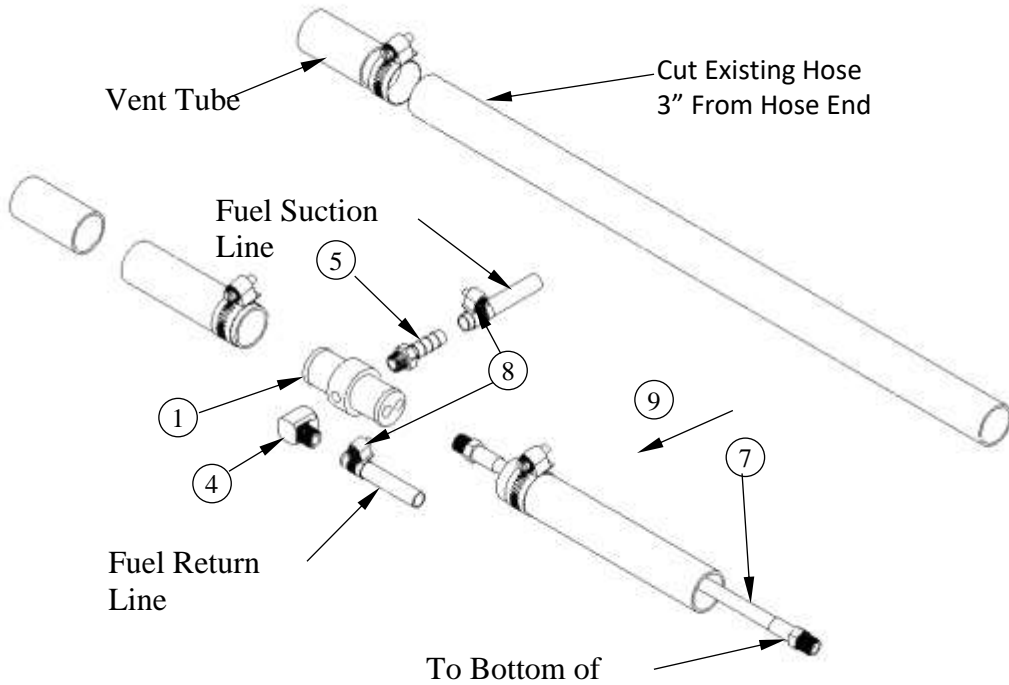
1	14	109662	NUT, 10-32 NYLOK SS
1	13	123600	SCREW, MACH 10-32 X 1/2 HSWH ZP
2	12	109391	NUT, 3/8-16 NYLOK SS
2	11	125850	BOLT, TAP 3/8-16 X 2-1/4 HXHD SS
6	10	125067	NUT, 3/8-16 ZP
1	9	124980	PNL, RELAY BRACKET
1	8	124981	RELAY, 12V 200A
1	7	125677	CHECK VALVE, BALL 1-1/4 NPT PVC
1	6	125862	ELL, STREET 1-1/4 NPT POLY
1	5	125458	NIPPLE, 1.0 NPT CLOSE BRASS
1	4	125457	BUSHING, 1.25 NPT X 1 FNPT BRASS
2	3	125861	FTG, BARB 1-1/4 P X 1 H PVC
1	2	124894	PUMP, 12V DC CENTRIFUGAL
1	1	124890	WMT, PUMP MOUNT
QTY	ITEM	PART NO.	DESCRIPTION

SECTION FIVE: PARTS LISTING AND REFERENCE  
**OPTIONAL ACCESSORY (PART OF 124982)**  
**124883 VALVE BRACKET ASSEMBLY**



1	6	102527	CAP, GARDEN HOSE 3/4 BRASS
1	5	124987	FTG, GRDN HOSE 1 NPT X 3/4 H BRASS
1	4	124888	VALVE, BALL 1.0 FNPT PVC
1	3	125458	NIPPLE, 1.0 NPT CLOSE BRASS
1	2	121755	FTG, BARB 1 P X 1 H BRASS
1	1	124884	WMT, VALVE BRACKET
QTY	ITEM	PART NO.	DESCRIPTION

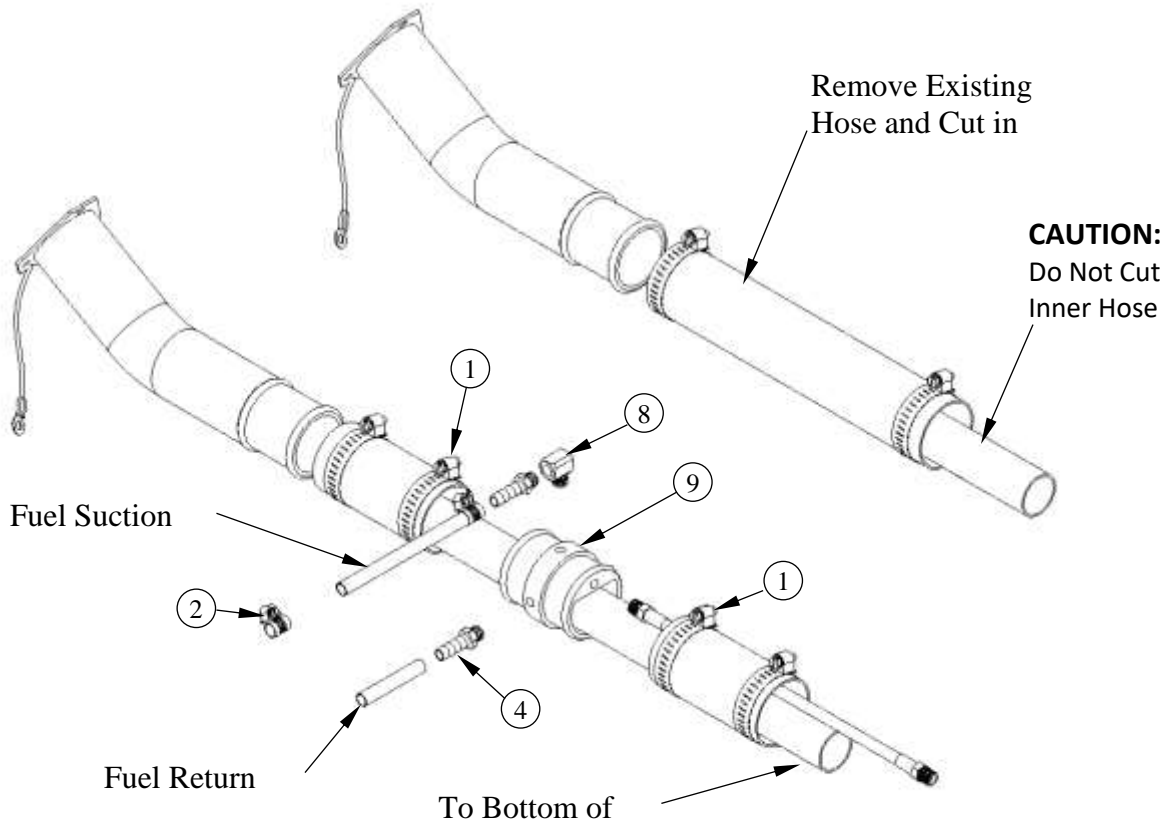
SECTION FIVE: PARTS LISTING AND REFERENCE  
**FUEL HOOKUP KITS**  
**1992 TO 2002 FORD FUEL LINE INSTALLATION**



**69-005FI KIT, FUEL HOOKUP FORD FI**

Item No.	Part Number	Qty	Description
1	66-031	1	ADAPTOR, VENT TUBE(FORD)
2	21-086	2	FTTG, BULKHEAD 1/4 IN BRASS
3	21-039	2	ELL, 1/4 IN LG STREET BRASS
4	21-038	1	ELL, STREET 1/8 IN BRASS
5	21-007	2	FTTG, BRB 1/8P X 5/16 H BR
6	21-006	4	FTTG, BRB 1/4P X 5//16H BR
7	18-028	1	HOSE, 3/16 X 25 (1/8P X 1/8P NO COVER)
8	14-011	6	CLAMP, HOSE FUEL # 6
9	14-000	2	CLAMP, HOSE #12

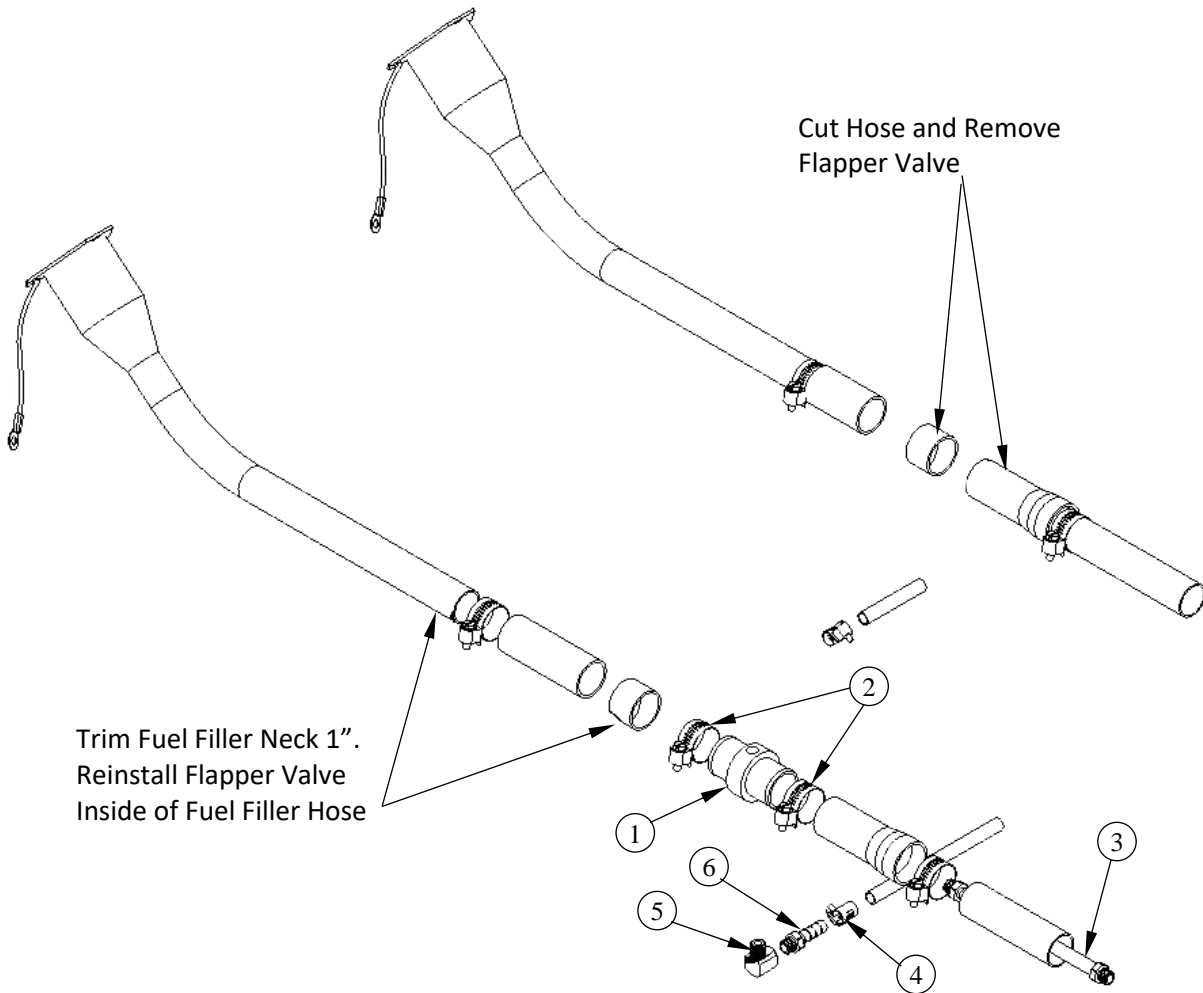
**SECTION FIVE: PARTS LISTING AND REFERENCE**  
**CHEVY AND GMC FULL SIZE VAN FUEL LINE INSTALLATION**



**69-003FI KIT, FUEL HOOKUP 97 & 2002 FI**

Item No.	Part Number	Qty	Description
1	14-010	2	CLAMP, HOSE # 32
2	14-011	6	CLAMP, HOSE FUEL # 6
3	21-006	4	FTTG, BRB 1/4P X 5//16H BR
4	21-007	2	FTTG, BRB 1/8P X 5/16 H BR
5	21-038	1	ELL, STREET 1/8 IN BRASS
6	21-039	2	ELL,1/4 IN LG STREET BRASS
7	21-086	2	FTTG, BULKHEAD 1/4 IN BRASS
8	21-116	1	ELL, 1/8 FP X 1/8 FP BRONZE
9	66-030	1	ADAPTOR,FUEL NECK(CHEVY)
10	18-027	2	HOSE, 3/16 X 5 (1/8P X 1/8P NO CVR)

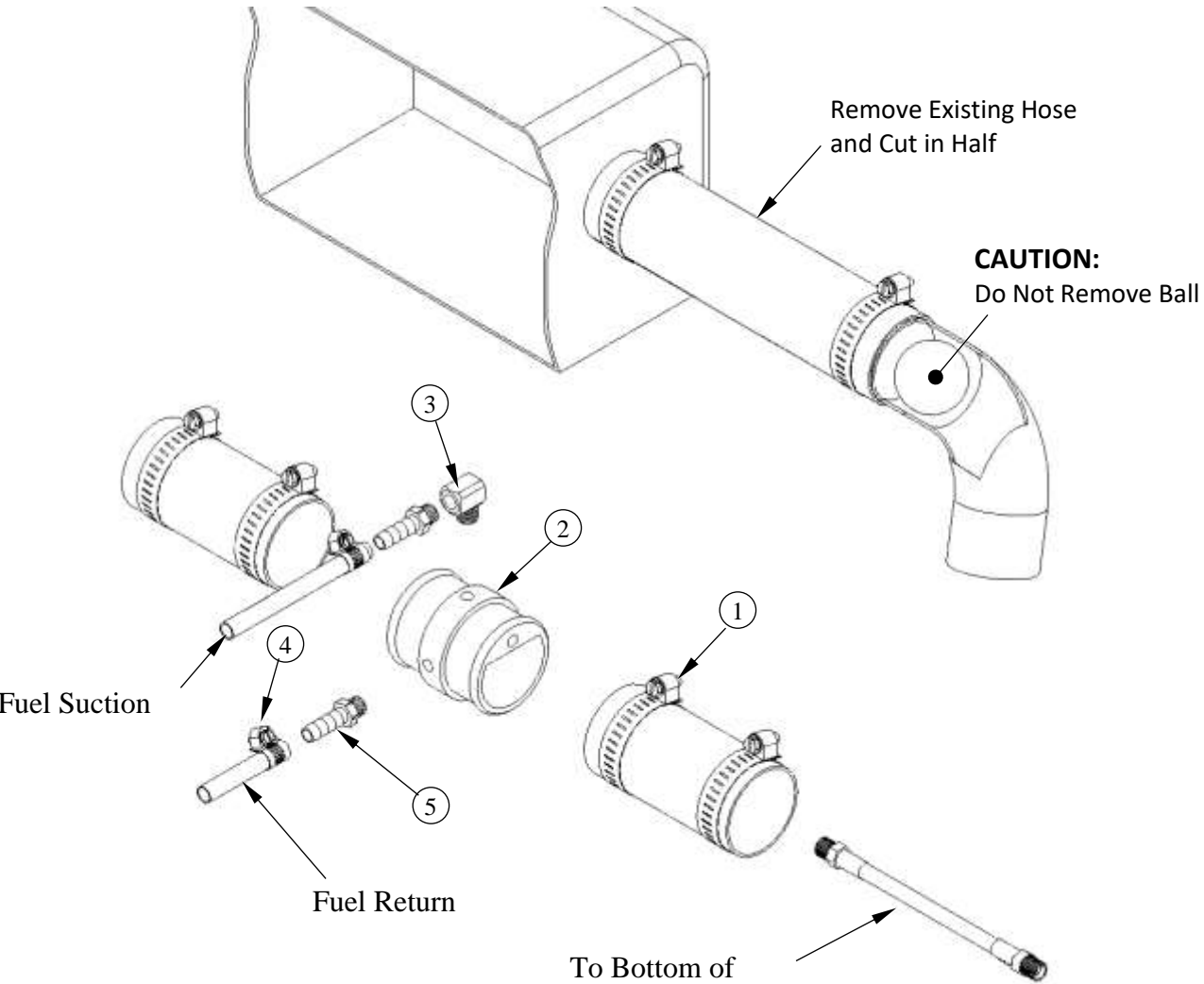
**SECTION FIVE: PARTS LISTING AND REFERENCE**  
**2003 CHEVY AND GMC FULL SIZE VAN FUEL LINE INSTALLATION**



**69-018FI KIT, FUEL HOOKUP 2003 CHEVY FI**

Item No.	Part Number	Qty	Description
1	66-034	1	ADAPTOR, FUEL FLR CHVY 2003
2	14-006	2	CLAMP, HOSE # 20
3	18-028	1	HOSE, 3/16 X 25 (1/8P X 1/8P NO COVER)
4	14-011	6	CLAMP, HOSE FUEL # 6
5	21-038	1	ELL, STREET 1/8 IN BRASS
6	21-007	2	FTTG, BRB 1/8P X 5/16 H BR
7	21-039	2	ELL, 1/4 IN LG STREET BRASS
8	21-006	4	FTTG, BRB 1/4P X 5//16H BR
9	21-086	2	FTTG, BULKHEAD 1/4 IN BRASS

**SECTION FIVE: PARTS LISTING AND REFERENCE  
1997-2002 DODGE FULL SIZE VAN FUEL LINE INSTALLATION**



**69-004FI KIT, FUEL HOOKUP CHEVY/DODGE FI**

Item No.	Part Number	Qty	Description
1	14-010	2	CLAMP, HOSE # 32
2	66-030	1	ADAPTOR,FUEL NECK(CHEVY)
3	21-038	1	ELL, STREET 1/8 IN BRASS
4	14-011	6	CLAMP, HOSE FUEL # 6
5	21-007	2	FTTG, BRB 1/8P X 5/16 H BR
6	18-028	1	HOSE, 3/16 X 25 (1/8P X 1/8P NO COVER)
7	21-086	2	FTTG, BULKHEAD 1/4 IN BRASS
8	21-006	4	FTTG, BRB 1/4P X 5//16H BR
9	21-039	2	ELL,1/4 IN LG STREET BRASS